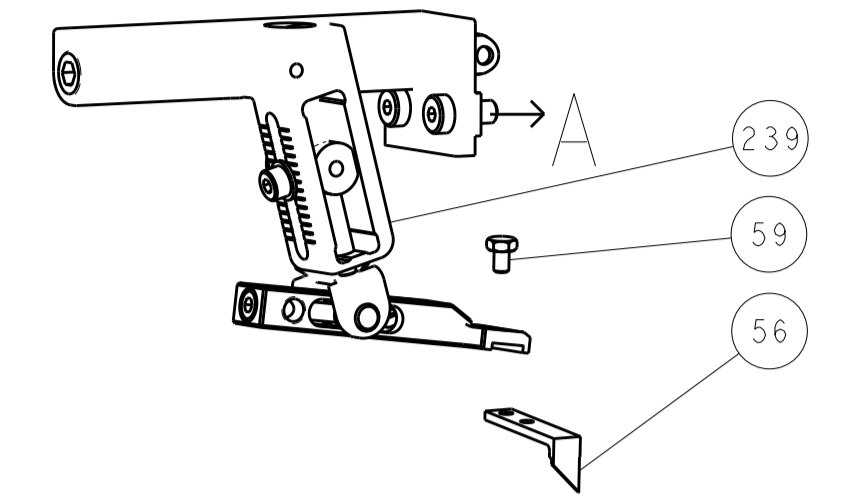


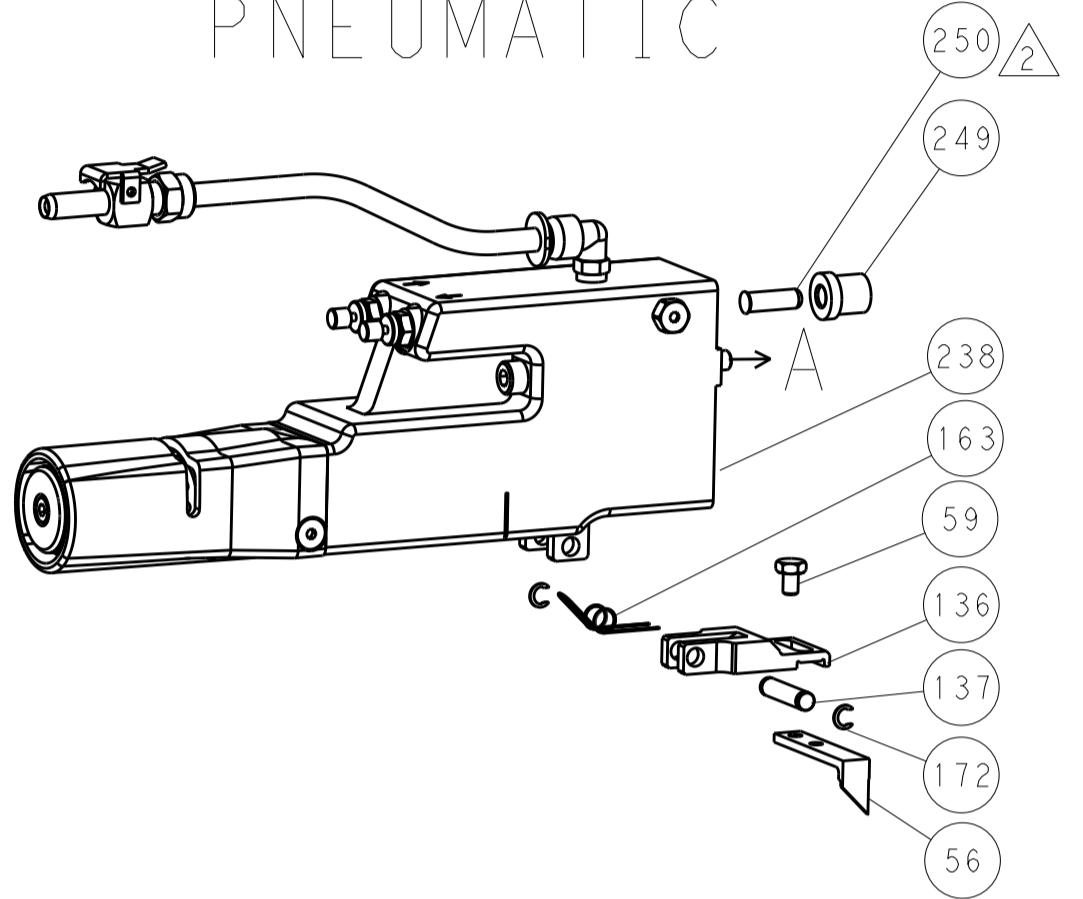


REVISONS		DATE	OWN	APVD
A	66			
DESCRIPTION				
SEE SHEET 1				

### FEED TYPE MECHANICAL



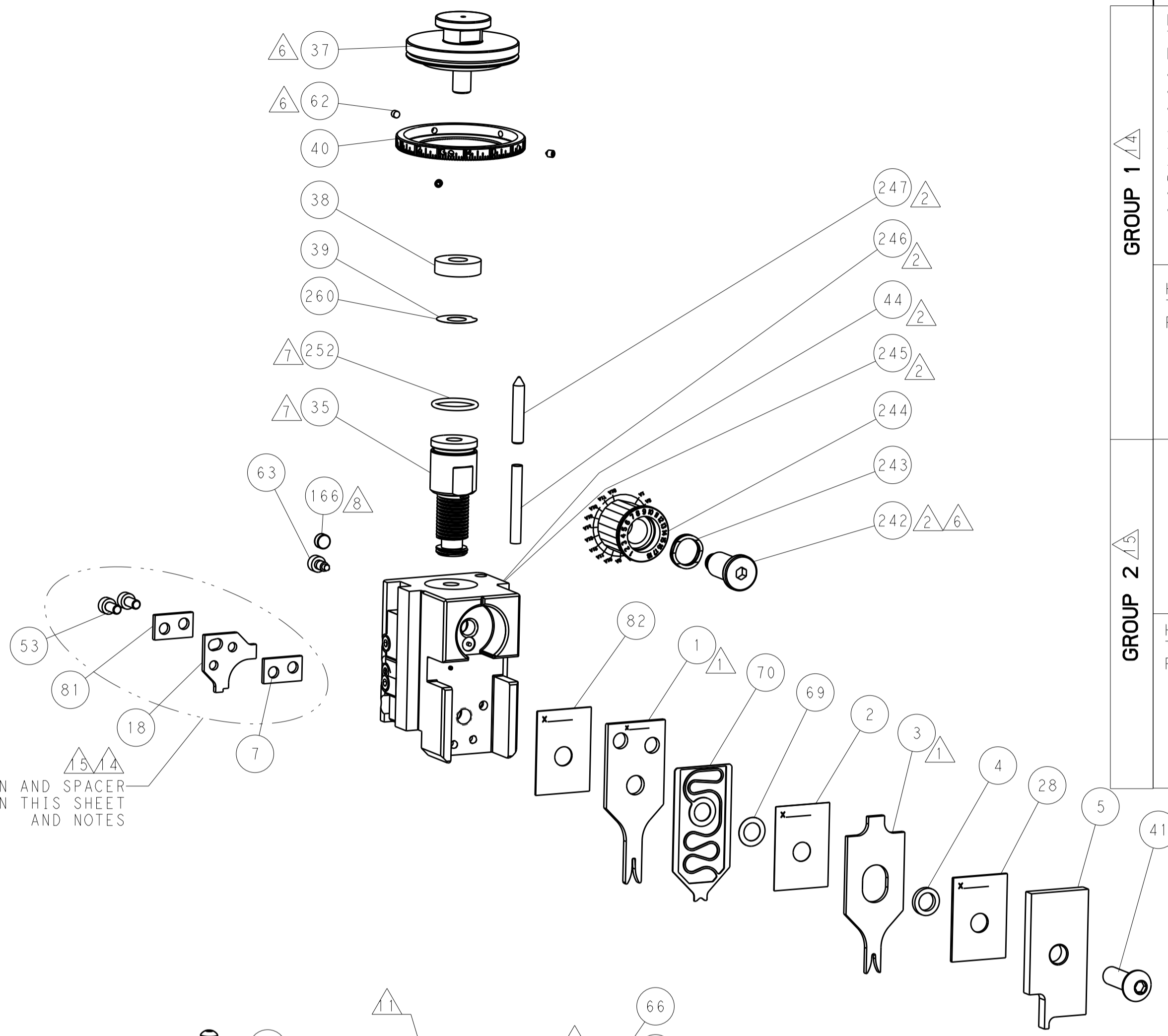
### PNEUMATIC



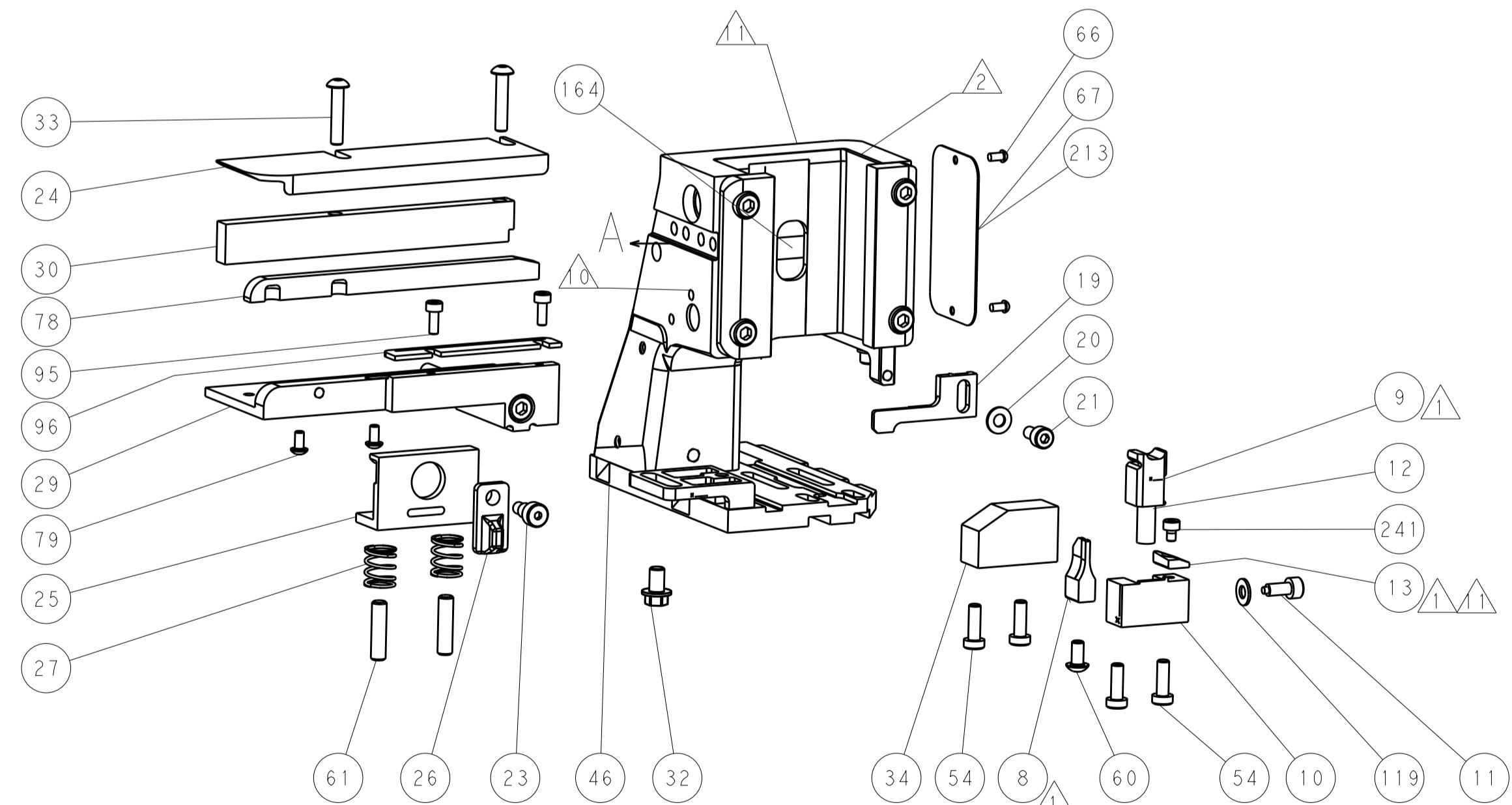
### SERVO LATCH PLATE



### CAM POSITIONS



SEE TERMINAL HOLD DOWN AND SPACER SETUP CHART ON THIS SHEET AND NOTES

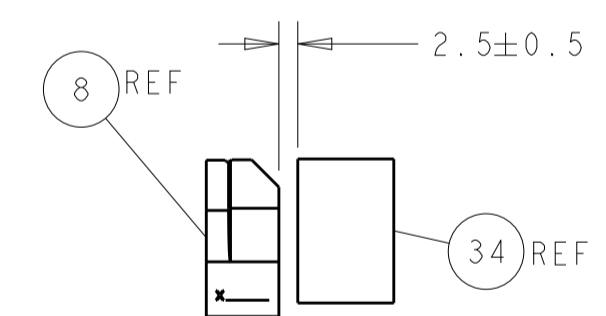


### TERMINAL HOLD DOWN & SPACER SETUP CHART

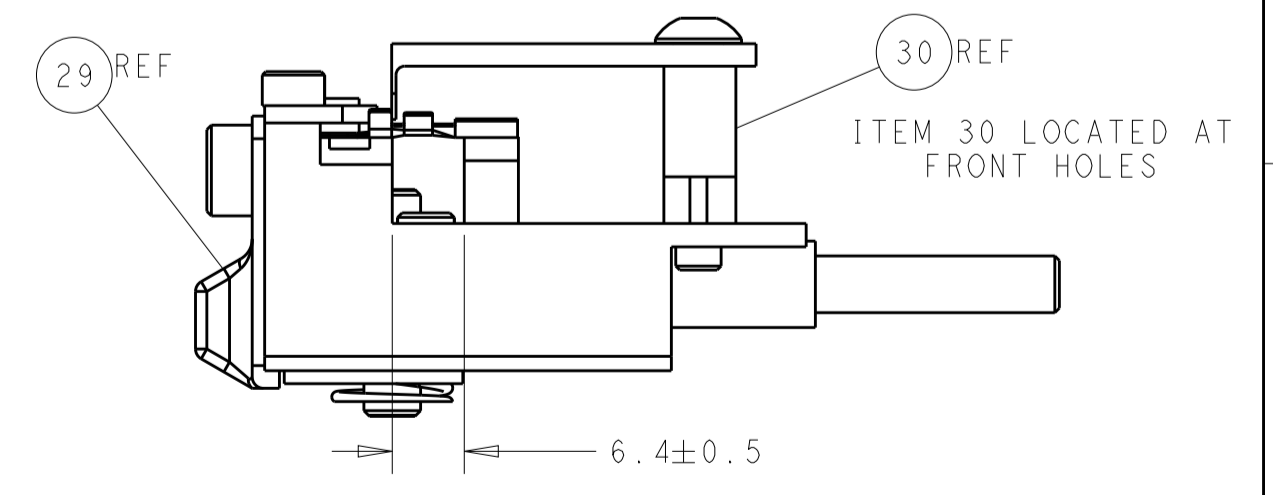
GROUP	HOLD DOWN & SPACER TOOLING SETUP FOR TERMINALS:	POSITION
GROUP 1	928999-1 2-928918-2 928999-5 3-928918-2 928999-6 5-928918-1 5-928999-1 6-928918-2 5-928999-5 6-928918-2 5-928999-6 6-928918-3 6-928999-5 1394702-1 928918-1 1394702-2 928918-2 1394702-2 1-928918-1 5-1394702-1 1-928918-2 5-1394702-2	POSITION 1
	968893-1	POSITION 1
GROUP 2	968220-1 5-968220-6 968220-5 1703296-1 968220-6 1703296-5 5-968220-1 1534116-1 5-968220-5 1534116-2 5-968220-5 5-1534116-1	POSITION 2
	1241918-1	POSITION 2



HOLD DOWN SETUP



TERMINAL SUPPORT LOCATION



FEED TRACK POSITION GUIDE BY INSULATION BARREL

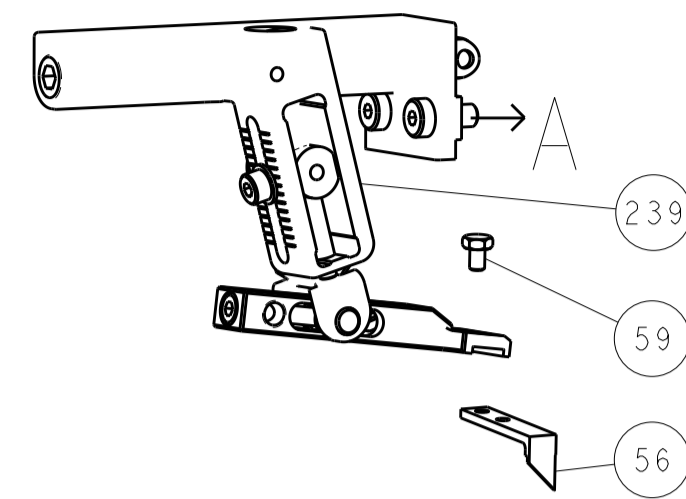
**ATLANTIC VERSION**  
 Shown on sheets 1 of 4 & 2 of 4  
 (Pacific version shown on sheets 3 of 4 & 4 of 4)

DIMENSIONS:		TOLERANCES UNLESS OTHERWISE SPECIFIED:		OWN: HOFFNER 07DEC2001		TE Connectivity	
mm	0 PLC ±	1 PLC ±	2 PLC ±	3 PLC ±	4 PLC ±	5 PLC ±	Harrisburg, PA 17105-3608
	FINISH			CHK: T. ELBIN 08DEC2011	NAME: Ocean Side Feed Applicator	RESTRICTED TO	
MATERIAL:				APVD: T. ELBIN 08DEC2011	SIZE: A1	CAGE CODE: 00779	DRAWING NO: C=2151541
CUSTOMER DRAWING				WEIGHT:	SCALE: 5:1	SHEET: 2 OF 4	REV: D4

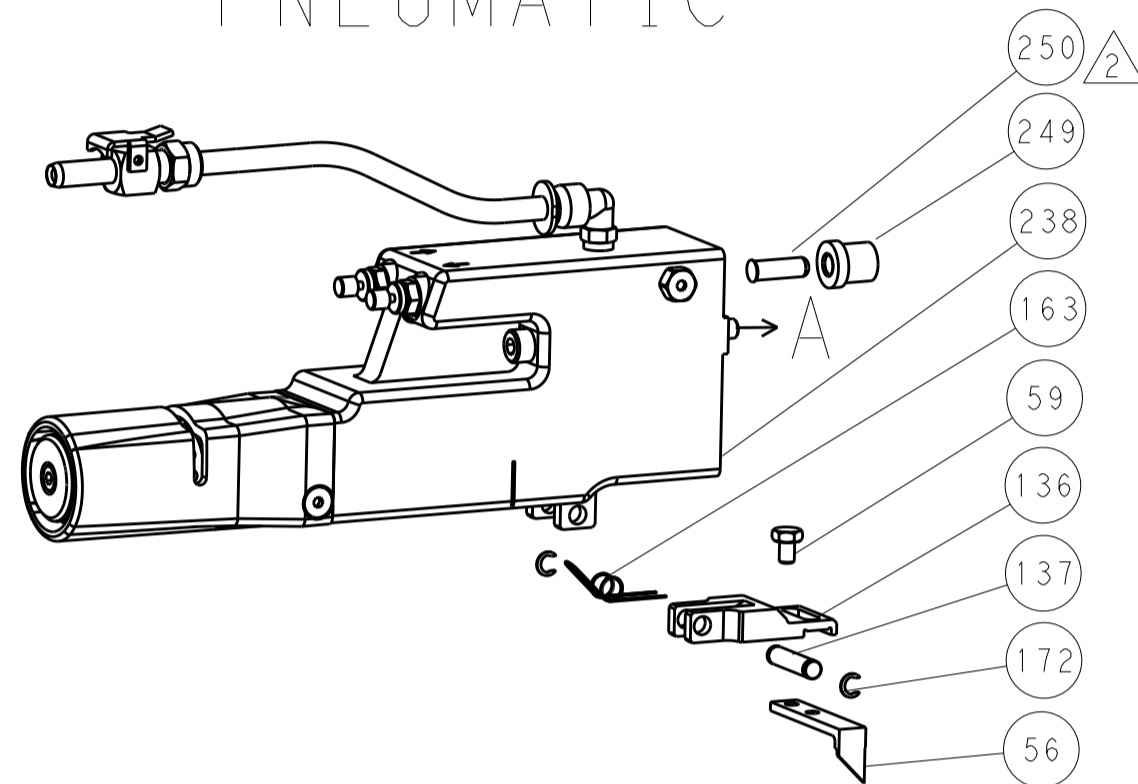




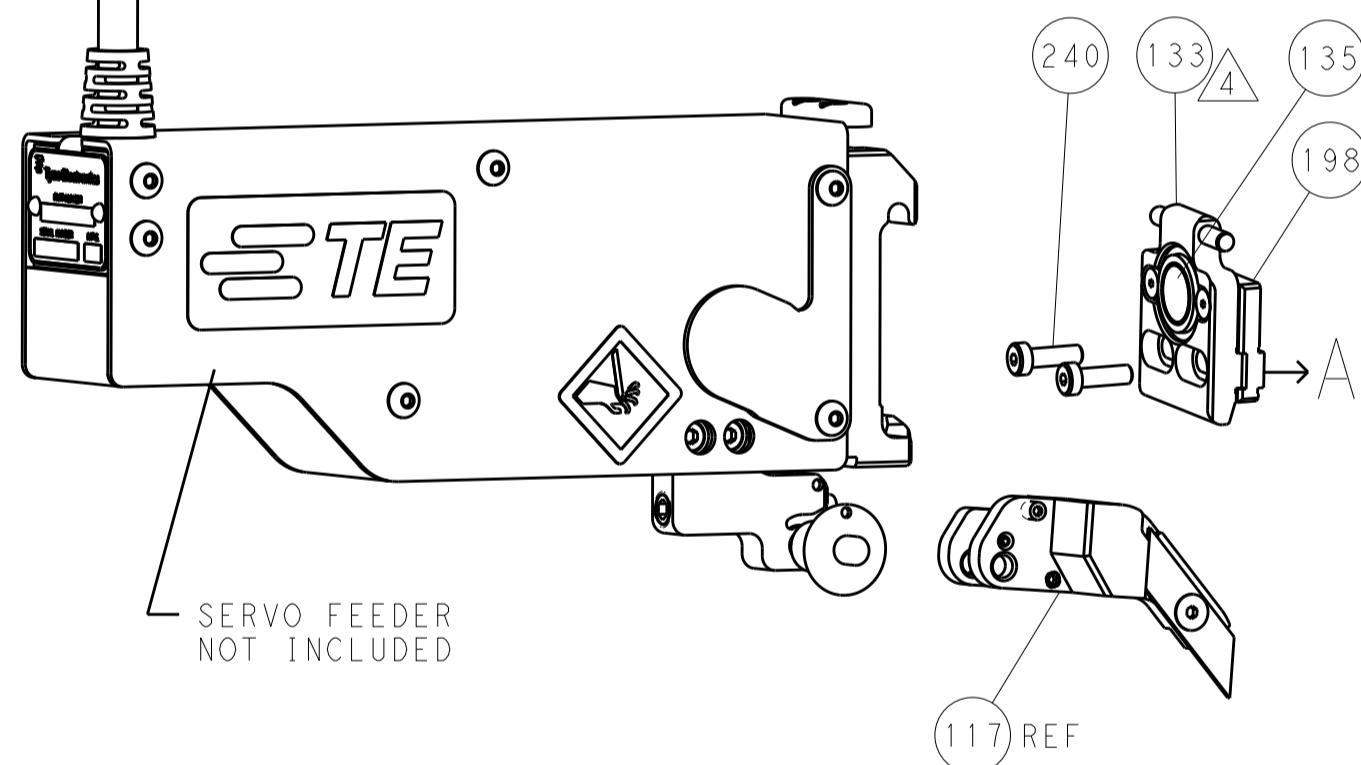
# FEED TYPE MECHANICAL



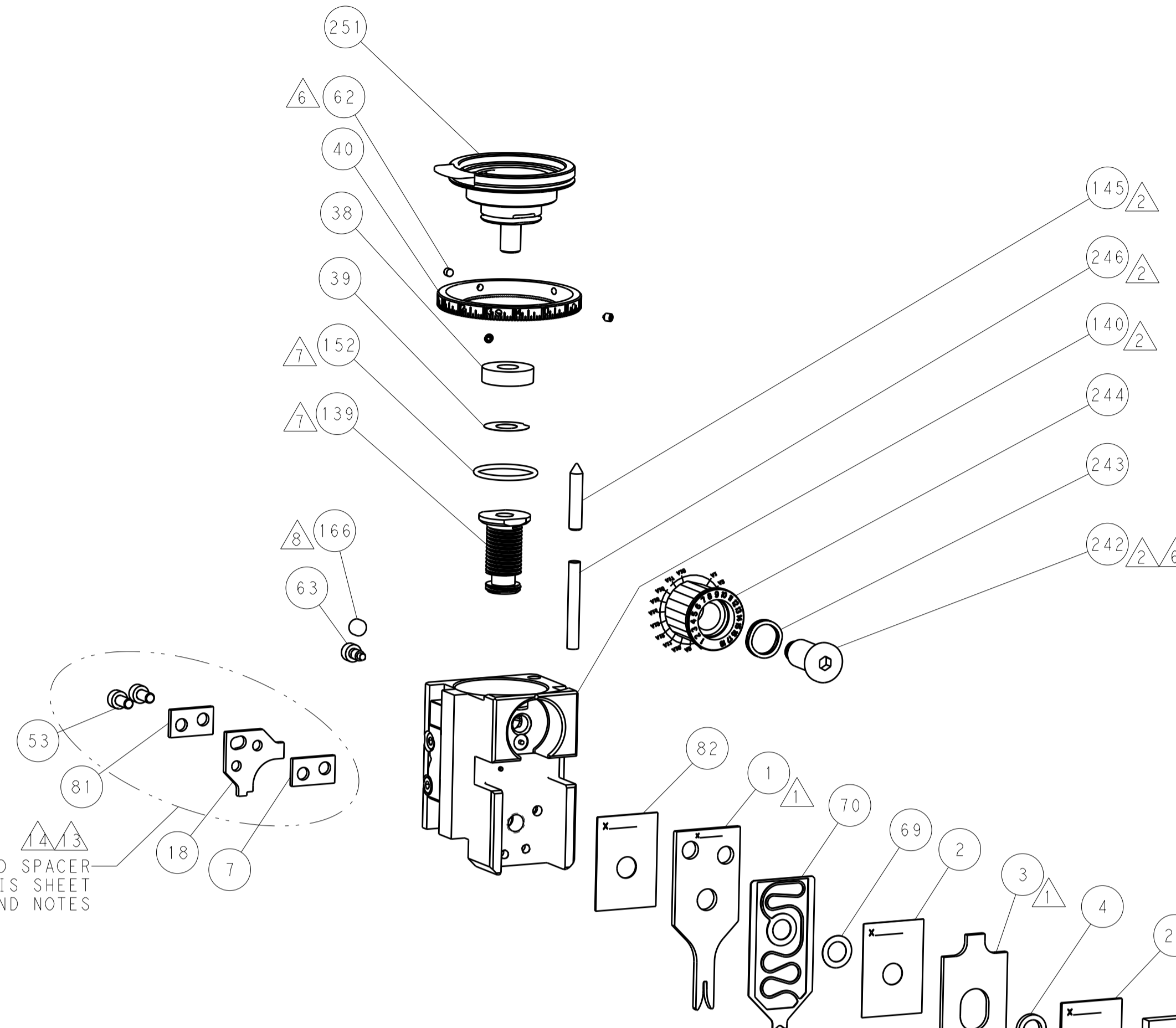
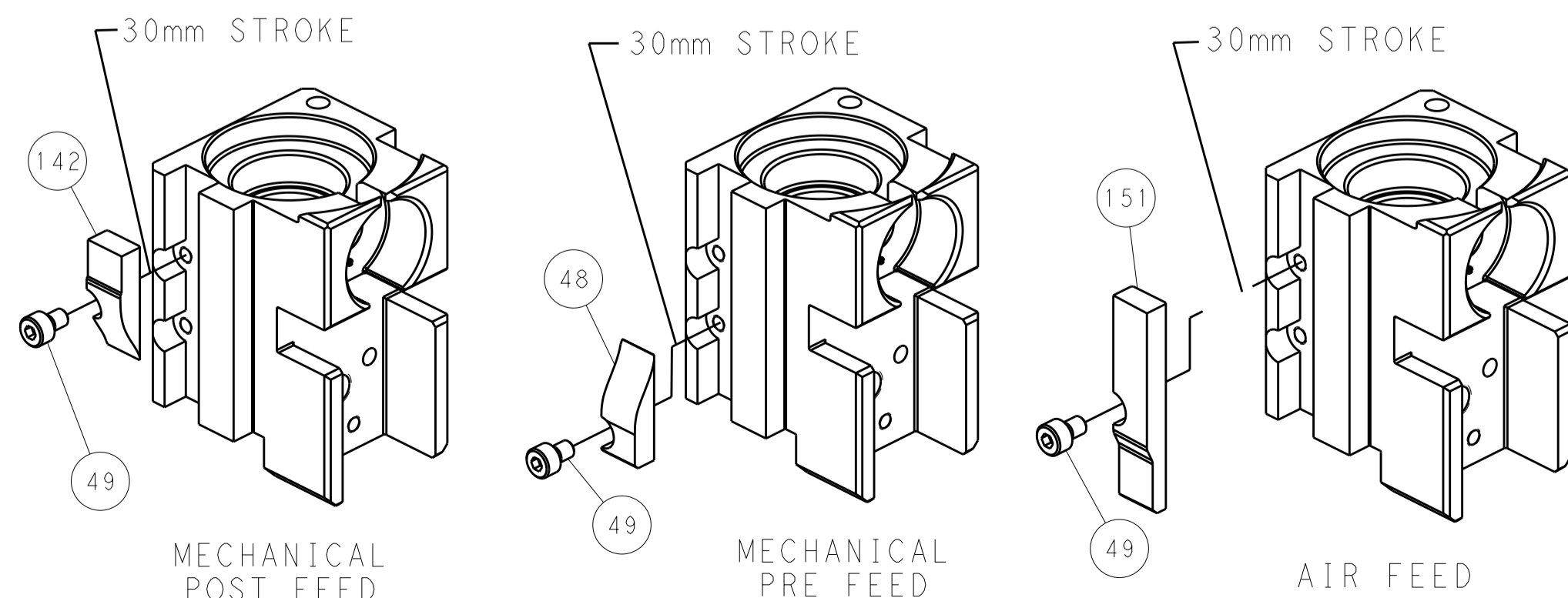
# PNEUMATIC



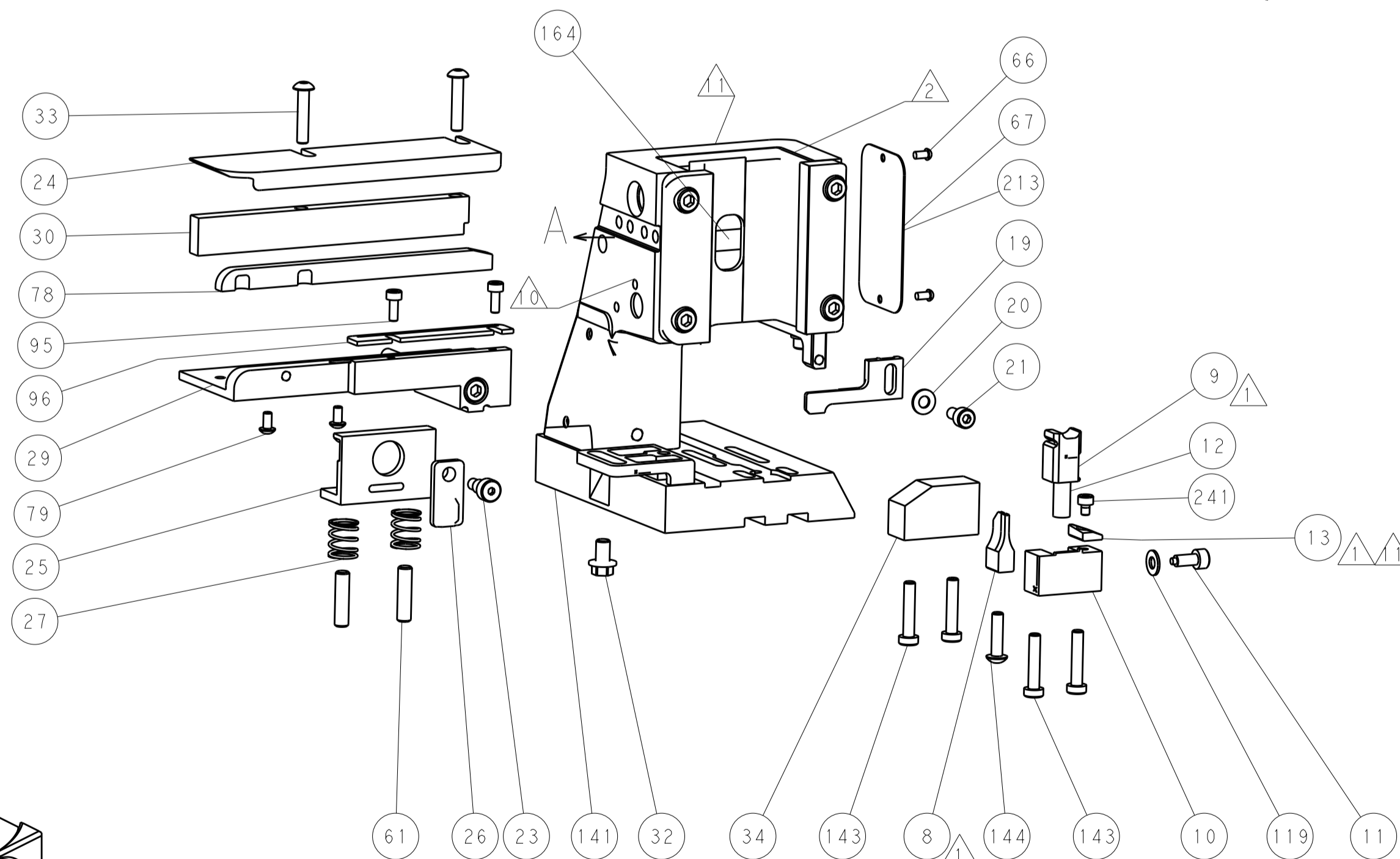
# SERVO LATCH PLATE



# CAM POSITIONS

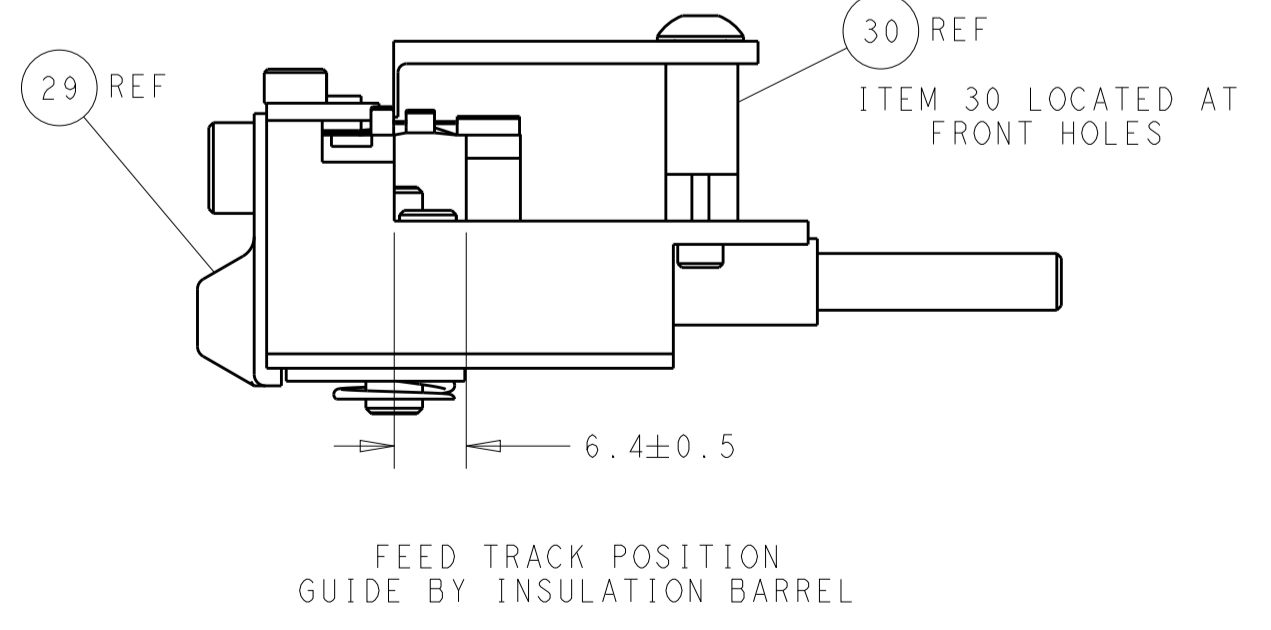
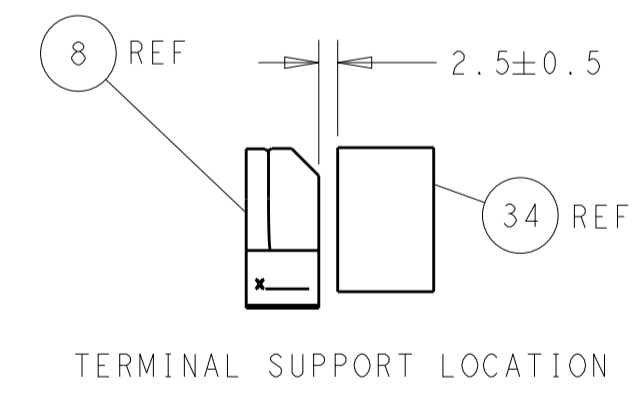
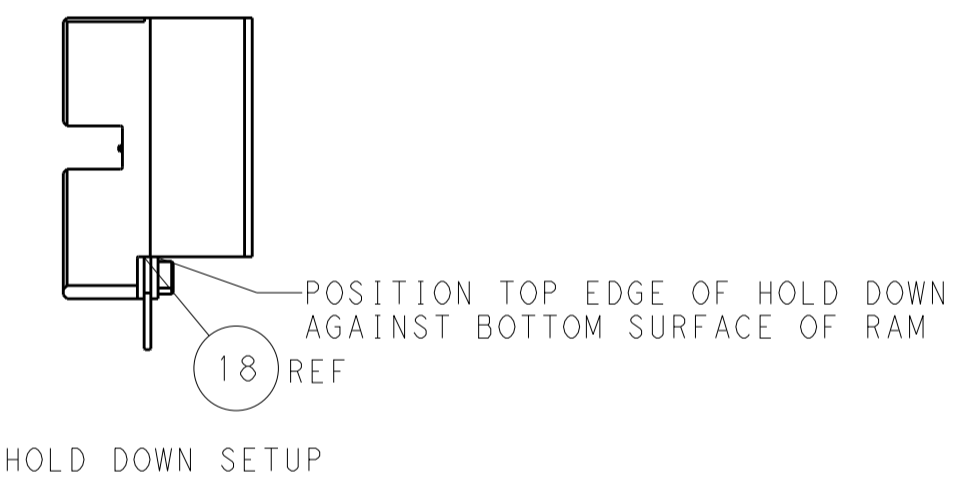


SEE TERMINAL HOLD DOWN AND SPACER SETUP CHART ON THIS SHEET AND NOTES



LOC	DIST	REV	DESCRIPTION	DATE	OWN	APVD
A	66		SEE SHEET 1			

TERMINAL HOLD DOWN & SPACER SETUP CHART	
<b>GROUP 1</b> HOLD DOWN & SPACER TOOLING SETUP FOR TERMINALS: 928999-1 2-928918-2 928999-5 3-928918-2 928999-6 5-928918-1 5-928999-1 6-928918-1 5-928999-5 6-928918-2 5-928999-6 6-928918-3 6-928999-5 1394702-1 928918-1 1394702-2 928918-2 5-1394702-1 1-928918-1 5-1394702-2 1-928918-2	 POSITION 1
HOLD DOWN & SPACER TOOLING SETUP FOR TERMINALS: 968893-1	 POSITION 1
<b>GROUP 2</b> HOLD DOWN & SPACER TOOLING SETUP FOR TERMINALS: 968220-1 5-968220-6 968220-5 1703296-1 968220-6 1703296-5 5-968220-1 1534116-1 5-968220-5 1534116-2 5-1534116-1	 POSITION 2
HOLD DOWN & SPACER TOOLING SETUP FOR TERMINALS: 1241918-1	 POSITION 2



**PACIFIC VERSION**  
 Shown on sheets 3 of 4 & 4 of 4  
 (Atlantic version shown on sheets 1 of 4 & 2 of 4)

DIMENSIONS: mm		TOLERANCES UNLESS OTHERWISE SPECIFIED: 0 PLC ± 1 PLC ± 2 PLC ± 3 PLC ± 4 PLC ± ANGLES ±		FINISH		DWN: HOFFNER 07DEC2001 CHK: T. ELBIN 08DEC2011 APVD: T. ELBIN 08DEC2011 PRODUCT SPEC APPLICATION SPEC		NAME: TE Connectivity Harrisburg, PA 17105-3608 Ocean Side Feed Applicator	
MATERIAL:		WEIGHT:		SCALE: 5:1		SIZE: A1 CAGE CODE: 00779 DRAWING NO: C=2151541		RESTRICTED TO:	
CUSTOMER DRAWING		SHEET 4 OF 4		REV D		SHEETS 1 & 2 ARE NOT REQUIRED FOR PACIFIC VERSION		DATE:	