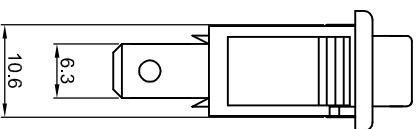
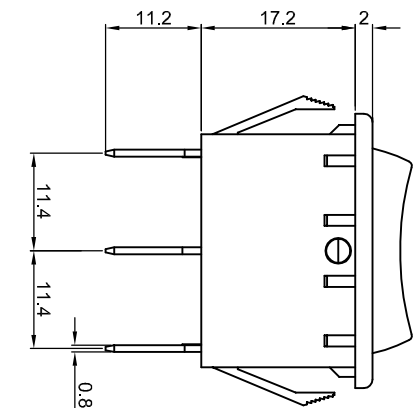
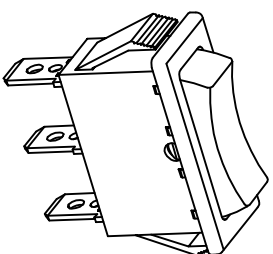
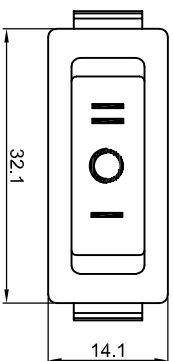


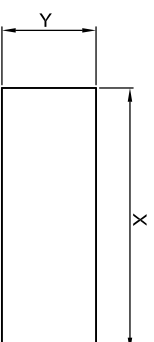


R-1



Rating: 16A 125V AC (UL CUL)
 16A 250V AC (UL CUL VDE ENEC CB CQC)
 Contact Resistance: 50m Ω (Max)
 Insulation Resistance: DC 500V 100M Ω (Min)
 Dielectric Strength: AC1500V 1 minute
 Dielectrical life: 10,000 cycles
 Operating Temperature: 0℃~85℃
 Safety Approval:
 Function:ON-OFF-ON

CUT-OUT



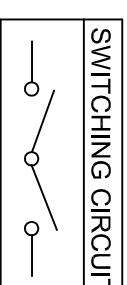
	X	Y
	30.0+0.1	11.0+0.1
0.75~1.25	30.2+0.1	11.0+0.1
1.25~2.00	30.4+0.1	11.0+0.1
2.00~3.00		

MATERIAL:

Body:Nylon66, UL rated:94V-2 min

Actuator:Nylon66, UL rated:94V-2 min

Terminal:Brass,silver or tin plated



公差 TOLERANCES		.X±0.3		.XX±0.15		角度 ANGLE ±1°		单位 DIMENSION UNIT	
版本 VERSION	核准 APPROVED BY	比例尺 SCALE	核对 CHECKED BY	NONE	Gokey_Guo	日期 DATE	绘图 DRAWN BY	品名 TITLE	图号 DRAWING NO
A0	New Issue	A0	Xinchao_Lee		Gokey_Guo	2009.02.26	Gokey_Guo	R-1-130-C6N-BB	R-1-130-C6N-BB_A0
版本 VER.	变更说明 CHANGE DESCRIPTION	日期 DATE	ECN NO.						
		2009.02.26	N/A						