



O/E/N 74

AUTOMOTIVE MINI POWER RELAY

FEATURES

- High performance
- 6.3mm flat terminals
- Limiting continuous current upto 60A
- Suitable couplers available
- Optional sealing

APPLICATION

- Horn control
- Starter motors
- Defogger
- Radiator fan
- A/C Controls
- Security systems

TECHNICAL DATA FOR CONTACT SIDE :

Model	: 74	74-SC
Areas of Application	Resistive / Inductive / Head Lamp / Capacitive Load	
Contact Configuration	: 1 Form A (1 NO), 1 Form C (1 CO)	1 Form A (1 NO), 1 Form C (1 CO)
Contact Material	: Silver Nickel	Silver Nickel / Silver Tin Oxide
Contact Rating at 23°C - 12VDC (Res.)	: 30A/20A	40A/30A
Electrical Life in No. of Operations Min.	: 1×10^5	1×10^5
Mechanical Life in No. of Operations Min.	: 1×10^6	1×10^6
Contact Voltage Drop at 20 A (Max.)	: 100mV	100mV
Maximum Switching Current @ 12.8 VDC For 3 Sec.	: 120A	150A

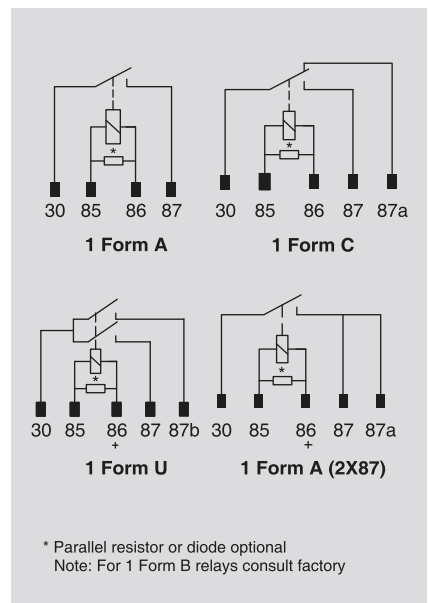
GENERAL DATA FOR COIL SIDE

Nominal Coil Power	: 1.69W (Approx)
Operate Time	: 15 milli Seconds (Typ)
Release Time	: 15 milli Seconds (Typ)

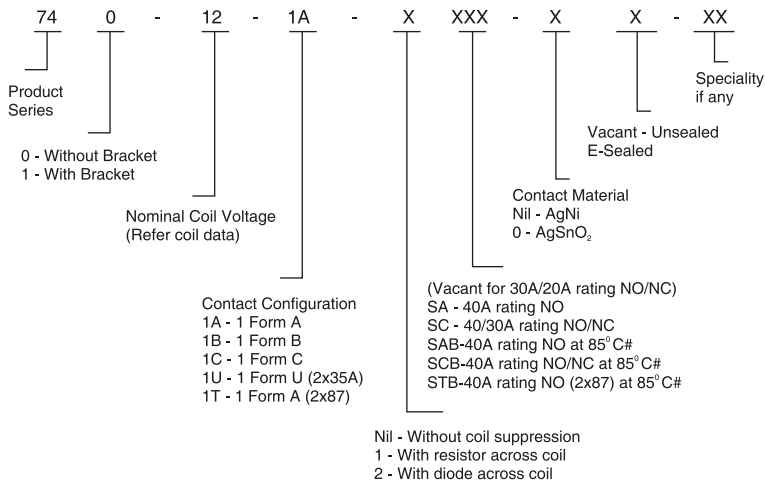
OPERATING CONDITIONS

Ambient Temperature	: -30°C to +85°C
Maximum Temperature	: 155°C
Dielectric Strength	: 500 VRMS
Insulation Resistance	: 100 MegaOhms Min. at 500 VDC, 25°C RH 50
Vibration Resistance	: 10-2000Hz, 4.4g (Change in switching state not more than 10μS)
Shock Resistance	: 30g, 8mS (Change in switching state not more than 10μS)
Weight	: 45 gms Max.

WIRING DIAGRAM



HOW TO ORDER



#Consult OEN for application

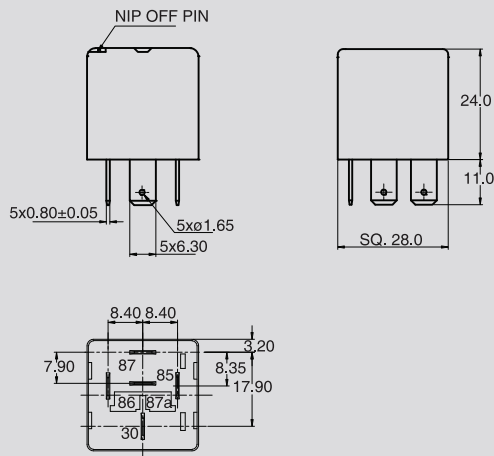
COIL DATA

Nominal Voltage VDC	**Pick-up Voltage VDC (Max)	Drop-out Voltage VDC (Min)	Coil Resistance Ohms (± 10%)
12	8.0	1.2	85
24	17.0	2.4	305
48	32.0	4.8	1200

**Lower pick-up voltages available on request

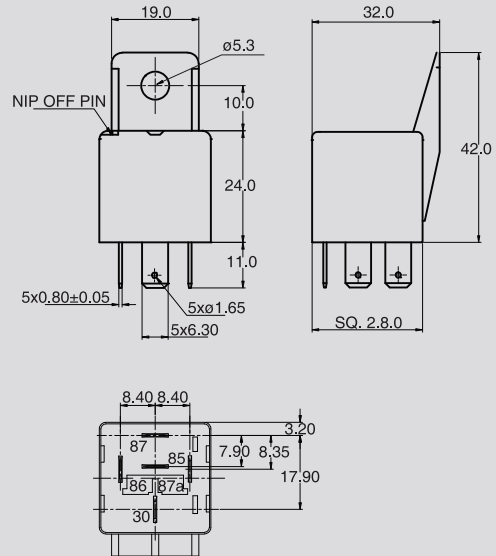
DIMENSIONS

RELAY WITHOUT BRACKET



Note : Nip - off pin may be removed after soldering and cleaning for ventilation.

RELAY WITH BRACKET



MECHANICAL DATA

COVER RETENTION

Pull : 20KgF

Push : 20KgF

TERMINAL STRENGTH

Pull : 10KgF

Push : 10KgF

AVAILABLE ON REQUEST

- Special Contact arrangements
- For other custom solutions consult factory