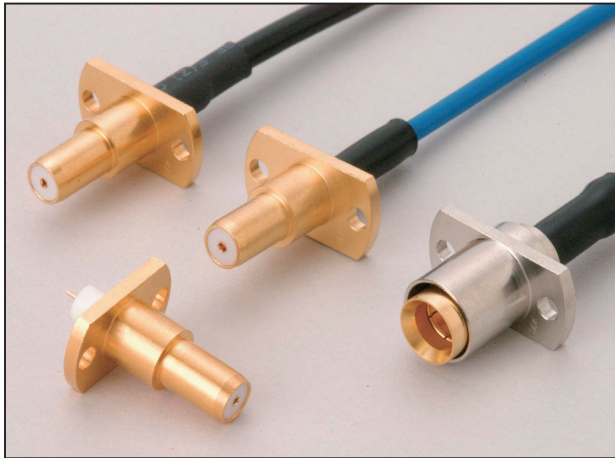


Floating Coaxial Connector

PML Series

DDK Ltd.



OUTLINE

PML series is a connector which has a floating mechanism to offset the mating gap between plug and jack connector. The interface is DDK's original and almost same size as SMA connector. PML series absorb the gap come from mounting more than two connectors on the same PCB.

SPECIFICATIONS

Characteristic Impedance	50 Ω
Rated Voltage	500VAC(r.m.s.)
Dielectric Withstanding Voltage	1000V AC(r.m.s.) / 1minute
Insulation Resistance	1000M Ω (min.) at 500V DC
Contact Resistance	10m Ω (max.)
Frequency Range	DC ~ 3GHz
VSWR	1.2(max.)
Operating Temperature	-55 ~ +85°C
Offset Allowable Range	X, Y=±0.5mm Z=±0.8mm

* The specifications are typical but may not apply to all connectors. Please check the specifications on each item with its drawing from us when you use.

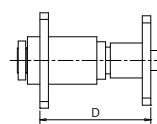
MATERIAL / FINISH



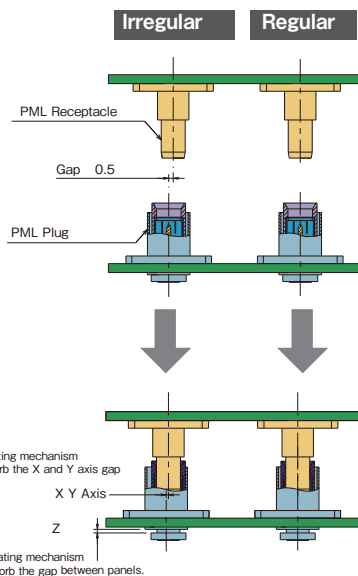
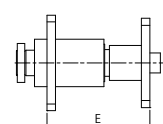
Item	PML-SR	PML-PP2-85-SO-CF	PML-PP2-141-SO-CF	PML-PJ2-85-SO-CF	PML-PJ2-1.5DHW-CR1-CF	PML-LPP2-141-SO
Contact	Beryllium Copper / Au Plating	Brass / Au Plating	Brass / Au Plating	Beryllium Copper / Au Plating	Beryllium Copper / Au Plating	Brass / Au Plating
Body	Brass / Au Plating	Brass / Ni Plating Phosphor Bronze / Au Plating	Brass / Ni Plating Phosphor Bronze / Au Plating	Brass / Au Plating	Brass / Au Plating	Brass / Ni Plating Phosphor Bronze / Au Plating
Insulator	PTFE	PTFE	PTFE	PTFE	PTFE	PTFE

Mating Connector	Maximum Distance between Panels	Minimum Distance between Panels
	D	E
PML-SR	18.8	17.2
PML-PJ2-85-SO	22.2	20.6
PML-PJ2-1.5DHW-CR1	22.2	20.6

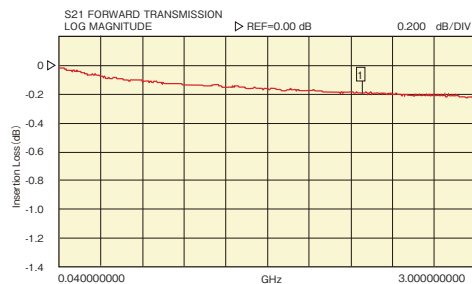
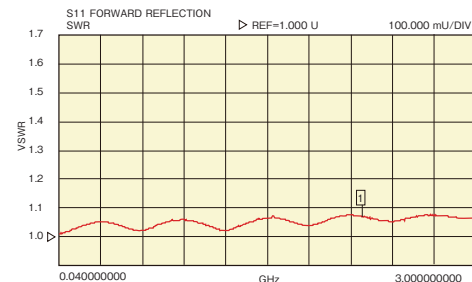
<Maximum Panel Distance>



<Minimum Panel Distance>



PML-PP2-141-SO x SMA L=200mm

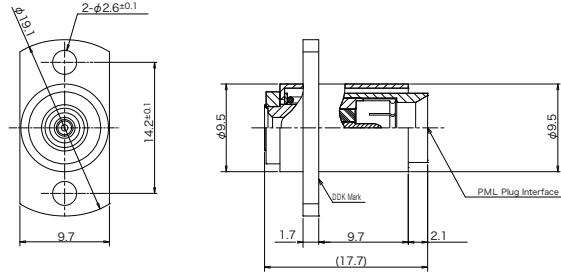


© Please acknowledge that the specification etc. of this catalog might change by the improvement etc. without notice. Moreover, the characteristic and the specification of the published product are the reference values. Please confirm the content with the latest delivery specifications when you use the product.

▶ Panel Mounting Straight Plug

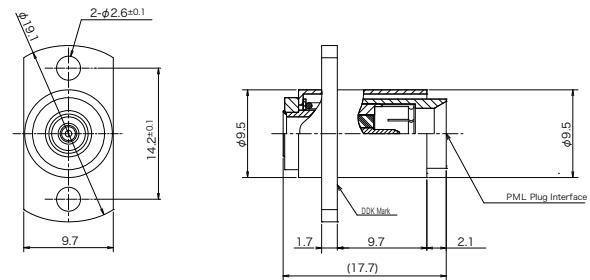
PML-PP2-85-SO-CF

Mating Connector : PML Jack Type
 Applicable Cable : UT-085
 : FCCAVG1(Nissei) or Equivalent



PML-PP2-141-SO-CF

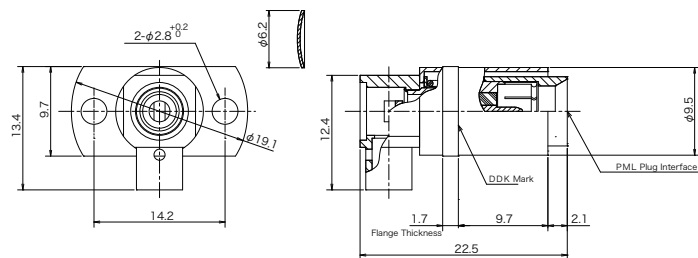
Mating Connector : PML Jack Type
 Applicable Cable : UT-141
 : FCCAVGP0(Nissei) or Equivalent



▶ Panel Mounting Right Angle Plug

PML-LPP2-141-SO

Mating Connector : PML Jack Type
 Applicable Cable : UT-141
 : FCCAVGP0(Nissei) or Equivalent

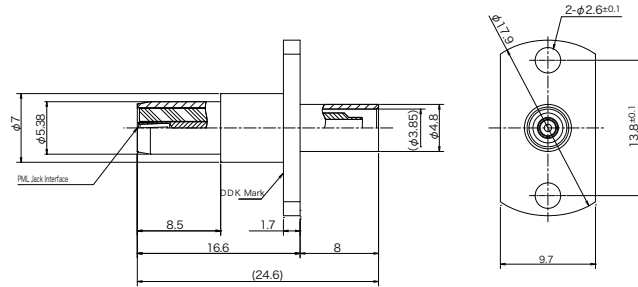


© Please acknowledge that the specification etc. of this catalog might change by the improvement etc. without notice.
 Moreover, the characteristic and the specification of the published product are the reference values.
 Please confirm the content with the latest delivery specifications when you use the product.

▶ Panel Mounting Jack Connector

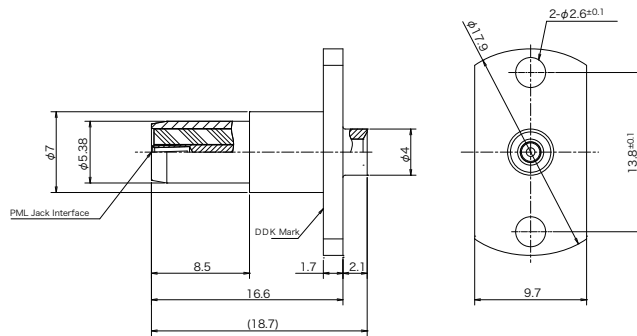
PML-PJ2-1.5DHW-CR1-CF

Mating Connector : PML Plug Type
 Applicable Cable : 1.5D-HQEW or
 Equivalent



PML-PJ2-85-SO-CF

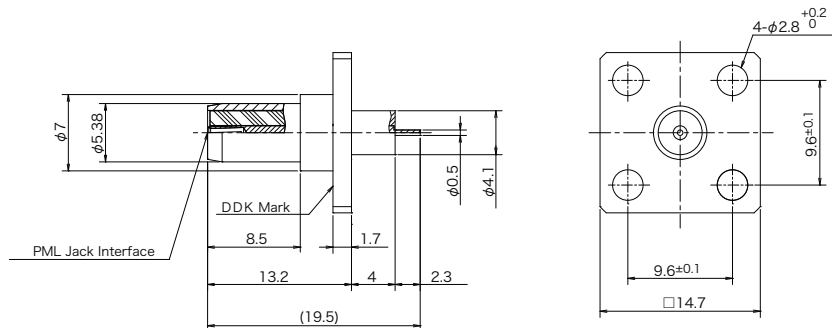
Mating Connector: PML Plug Type
 Applicable Cable : UT-085
 : FCCAVG1 (Nissei) or Equivalent



▶ Receptacle Connector

PML-SR

Mating Connector: PML Plug Type



© Please acknowledge that the specification etc. of this catalog might change by the improvement etc. without notice.
 Moreover, the characteristic and the specification of the published product are the reference values.
 Please confirm the content with the latest delivery specifications when you use the product.