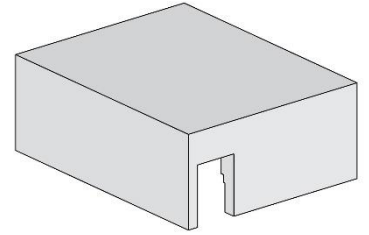


Order Number
200214-1345

molex[®]

Application Tooling Specification



FEATURES

- Lightweight tool used in the insertion of a zSFP+ cage in a PCB
- Inserts connector to a PCB without damage to the board

SCOPE

Products: Small Form-Factor Pluggable zSFP+ 1-by-4 Multi-Port Connector with Press-Fit PC Tails

Connector Series No.	Connector Order No.
100114	100114-1421
	100114-1422
	100114-1423
	100114-1424
	100114-1426

Notes:

1. See the following page for tooling operation instructions.
2. This tool requires a "Keep Out Zone" to be free of components. The tool overhangs the rear of the cage to allow for light pipe options. The right and left sides should be .16" (4mm). See Figure 1.

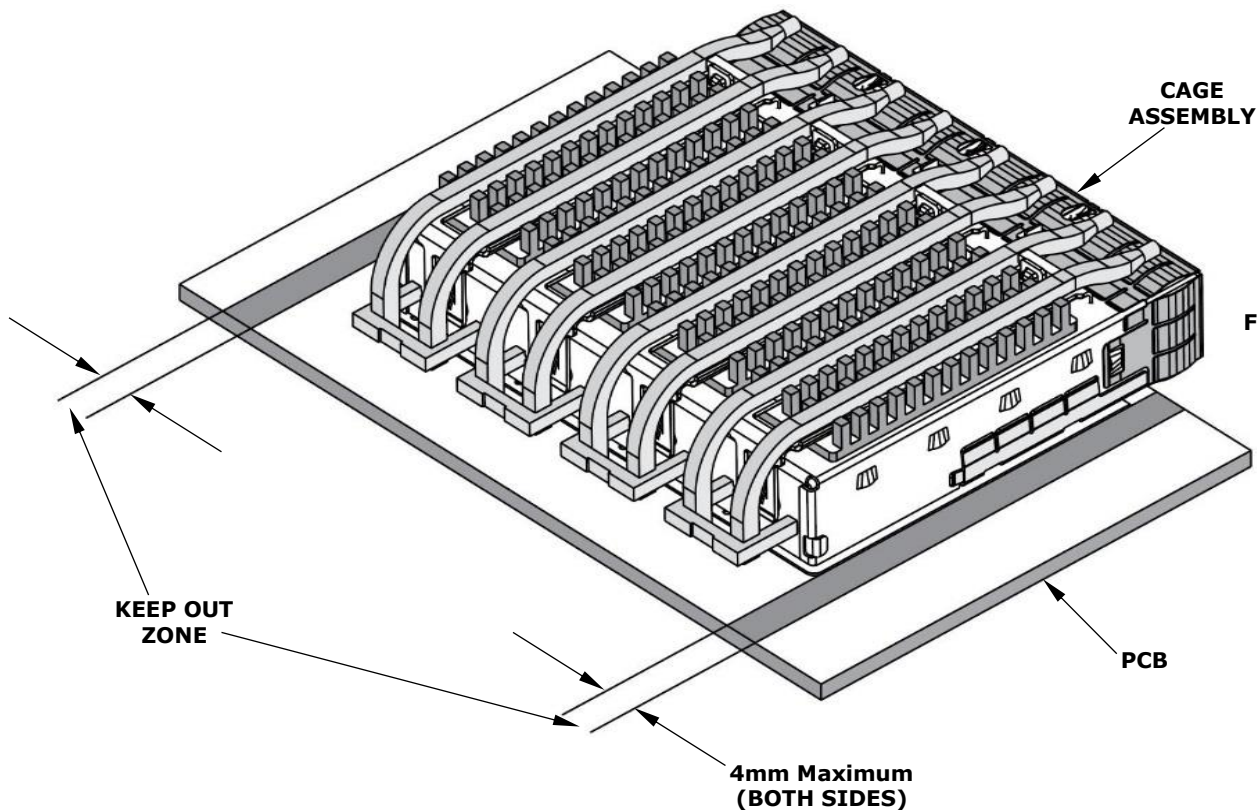


Figure 1

OPERATION

1. By hand, place a cage assembly on the PCB. Make sure all compliant tails are engaged in PCB holes.
2. Place the tool on the cage assembly, oriented as shown in Figure 2.
3. Place the tool, cage and PCB in a press of suitable size and force and seat the cage as shown. The PCB support (not furnished by Molex) must have clearance for the connector pins if they pass through the PCB.

Note: This insertion tool does not contact the PCB when the connector is fully seated.

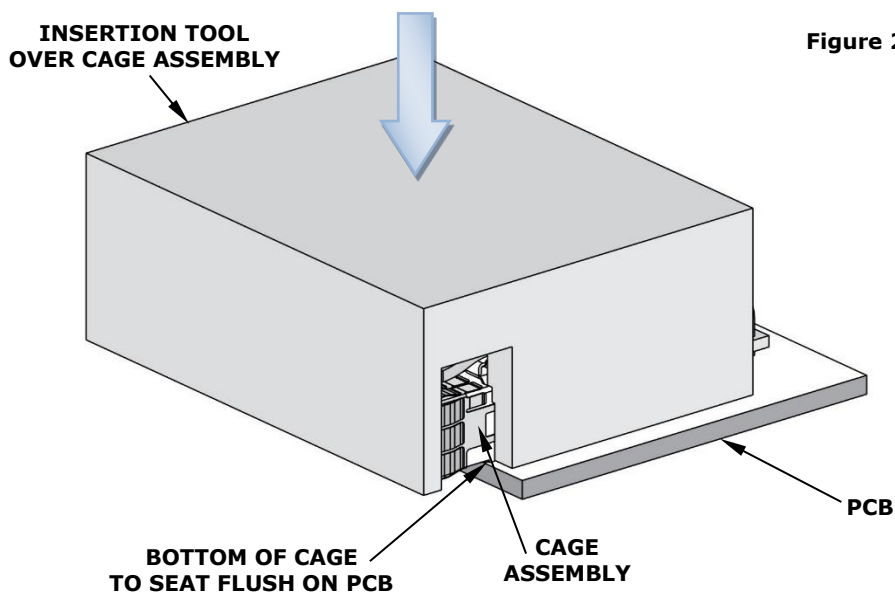
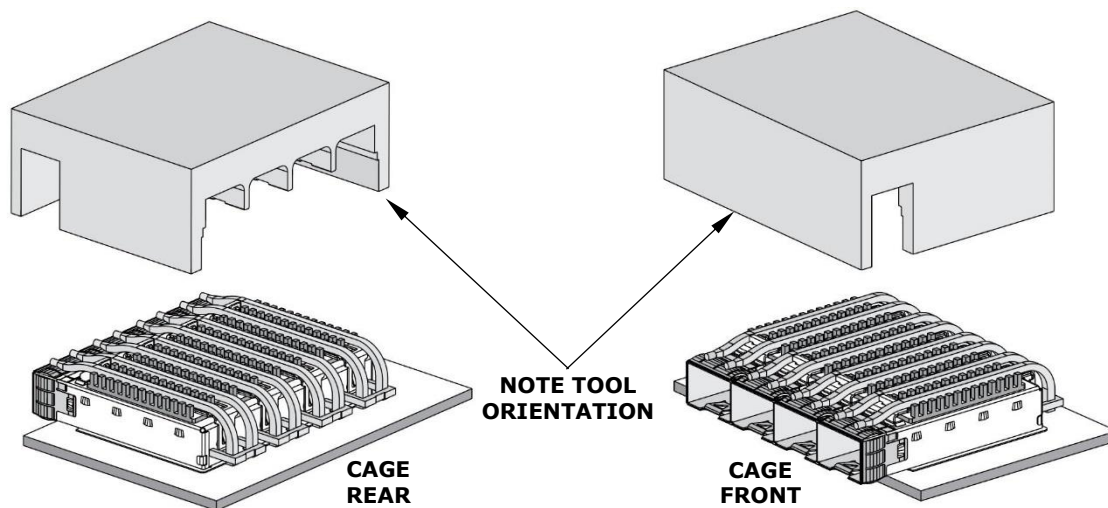


Figure 2

Application Tooling Support

Phone: (402) 458-TOOL (8665)
E-Mail: applicationtooling@molex.com
Website: www.molex.com/applicationtooling

Molex is a registered trademark of Molex, LLC in the United States of America and may be registered in other countries; all other trademarks listed herein belong to their respective owners.