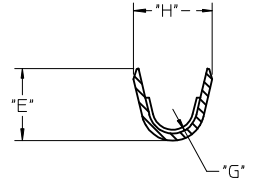
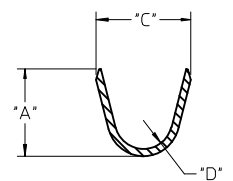


WIRE SIZE	MAX INSULATION	"A" ±.012 ±0.30	"C" ±.012 ±0.30	"D" ±.005 ±0.13	"E" ±.012 ±0.30	"G" ±.005 ±0.13	"H" ±.012 ±0.30
20-24	.073/1.85	.090/2.29	.100/2.54	.030/0.76 R.	.075/1.91	.025/0.64 R.	.082/2.08
26-30	.050/1.27	.075/1.91	.083/2.10	.025/0.64 R.	.058/1.47	.020/0.51 R.	.065/1.65
18 OR 0.75mm ²	.073/1.85	.091/2.31	.099/2.51	.030/.076 R.	.086/2.18	.029/0.74 R.	.094/2.39

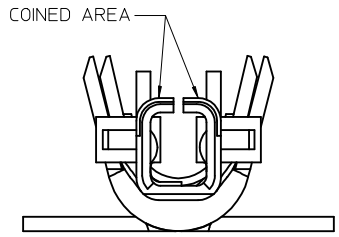
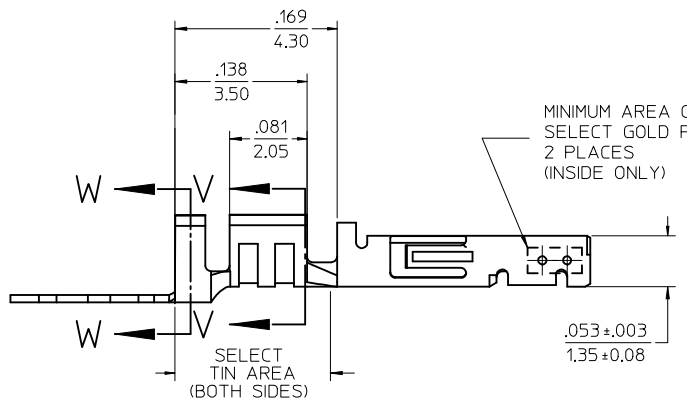
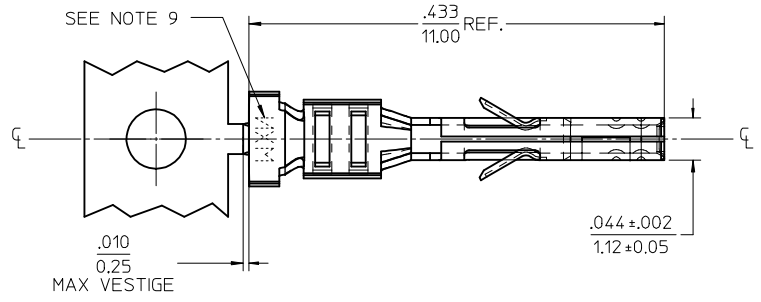
MATERIAL NUMBER	PLATING	WIRE SIZE	FORM
43030-0001	A	20-24	CHAIN
43030-0002	B	20-24	CHAIN
43030-0003	C	20-24	CHAIN
43030-0004	A	26-30	CHAIN
43030-0005	B	26-30	CHAIN
43030-0006	C	26-30	CHAIN
43030-0007	A	20-24	LOOSE
43030-0008	B	20-24	LOOSE
43030-0009	C	20-24	LOOSE
43030-0010	A	26-30	LOOSE
43030-0011	B	26-30	LOOSE
43030-0012	C	26-30	LOOSE
43030-0024	D	26-30	CHAIN
43030-0038	A	18 OR 0.75mm ² (SEE NOTE 10)	CHAIN



SECTION V-V



SECTION W-W



(SCALE 20:1)

NOTES

- MATERIAL: PHOSPHOR BRONZE ALLOY
- TERMINAL PLATING:
 - "A" - HOT TIN DIP: .000040/0.00102 MIN.
 - "B" - .000015/0.00038 MIN. SELECT GOLD .000100/0.00254 MIN. SELECT TIN ALL OVER .000050/0.00127 MIN. NICKEL OVERALL.
 - "C" - .000030/0.00076 MIN. SELECT GOLD .000100/0.00254 MIN. SELECT TIN ALL OVER .000050/0.00127 MIN. NICKEL OVERALL.
 - "D" - .000100/(0.00254) MIN. TIN OVER .000050/(0.00127) MIN. NICKEL PLATE.
- PLATING FINISHES B, C, AND D ARE POST PLATED.
- PRODUCT SPECIFICATION: PS-43045, PS-43650, PS-44300-001.
- PACKAGING SPECIFICATION: PK-43030-001 (REEL), PK-43030-003 (LOOSE).
- TERMINAL FOR USE IN A MICRO FIT RECEPTACLE #43025-****, 43645-****, AND 44133-****.
- FOR TERMINAL ORIENTATION IN RECEPTACLE SEE DRAWING #SDA-43025 OR SDA-43645.
- THIS TERMINAL IS DESIGNED IN METRIC.
- MOLEX RECOMMENDS THE USE OF MICRO-FIT TEST PLUG (SERIES 44242) WHENEVER CONTINUITY TESTING IS PERFORMED. TEST PLUGS MUST NOT BE USED TO MAKE OR BREAK UNDER LOAD. MOLEX DOES NOT RECOMMEND USING STANDARD MATING COMPONENTS (SERIES 43020, 43045, 43640, 43650, OR 43031) FOR HARNESS TESTING PURPOSES.
- MARKING MAY VARY ON PARTS. CONSULT FACTORY.
- PART NUMBER 43030-0038 IS DESIGNED FOR 18 AWG 1061 STYLE WIRE OR A .073/1.85 MAXIMUM INSULATION OUTSIDE DIAMETER.

ADD 43030-0024 EC NO: UCP2017-0207 DRWNSL: AFT 2016/07/22 CHKD: SSOUSEK 2016/07/22 APPR: FSM LTH 2016/08/23	QUALITY SYMBOLS 	GENERAL TOLERANCES (UNLESS SPECIFIED)		DIMENSION STYLE		SCALE	DESIGN UNITS	THIRD ANGLE PROJECTION		
				IN/MM		10:1	METRIC			
				mm	INCH	DRAWN BY DATE		TITLE		SHEET NO.
				4 PLACES ± ---	± ---	MUELLER	2002/08/03	MICRO-FIT (3.0) FEMALE CRIMP TERMINAL		
		3 PLACES ± ---	±.010	CHECKED BY DATE				MATERIAL NO. DOCUMENT NO. SEE CHART SD-43030-****		
		2 PLACES ± 0.25	±.014	MUELLER		2002/08/03			THIS DRAWING CONTAINS INFORMATION THAT IS PROPRIETARY TO MOLEX INCORPORATED AND SHOULD NOT BE USED WITHOUT WRITTEN PERMISSION	
		1 PLACE ± 0.35	± ---	APPROVED BY DATE				ANGULAR ±1/2° DRAFT WHERE APPLICABLE MUST REMAIN WITHIN DIMENSIONS		
		0 PLACE ±	±	MARGULIS		2002/08/03				
N4	REV									