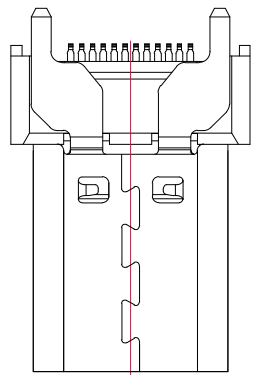


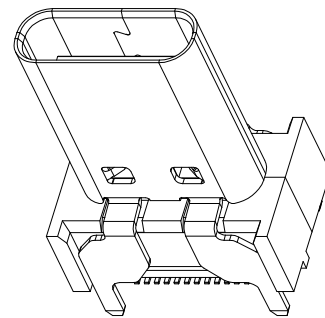
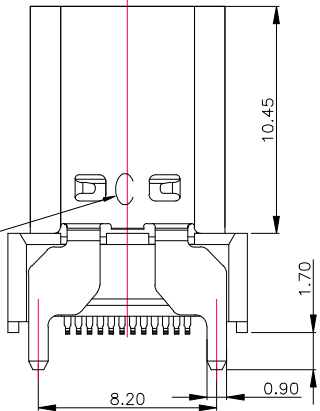


REV.	ECN NO OR DESCRIPTION	REVISED	DATE

NOTE:  
 1.Contact Resistance:40mOHM Max.;  
 2.Dielectric Withstanding Voltage:100V AC For 1 Minute;  
 3.Insulation Resistance:100M OHM Min.;  
 4.Mating And Unmating Force:  
 Mating Force: 5~20N  
 Unmating Force: 8~20N;  
 6~20N AFTER TEST;  
 5.Durability:10000 Cycles;

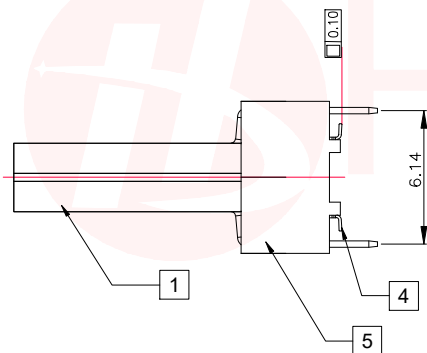
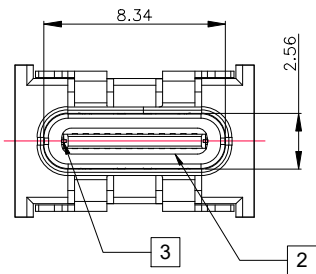
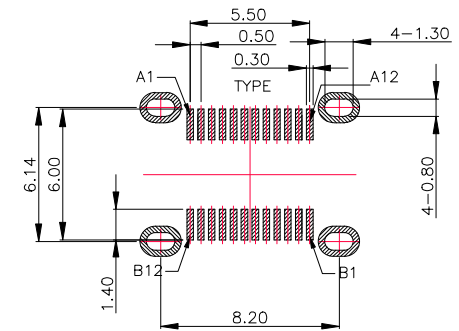


IDENTIFICATION MARK



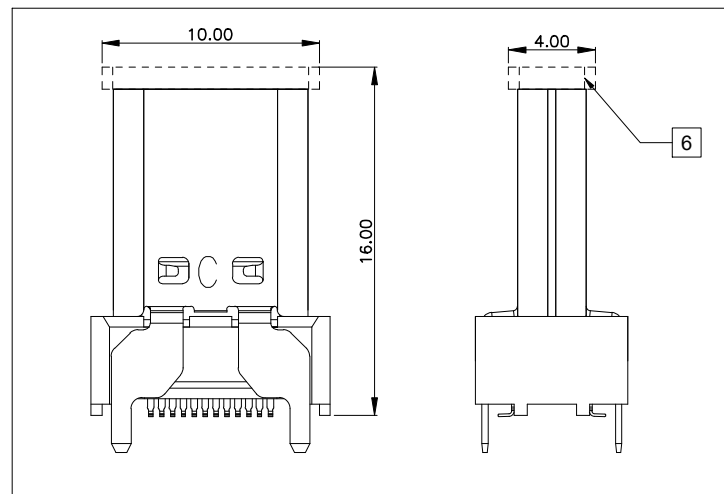
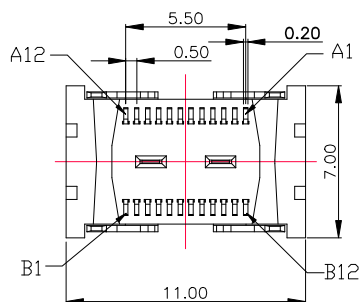
USB TYPE-C PIN ASSIGNMENTS

PIN NUMBER	SIGNAL NAME	PIN NUMBER	SIGNAL NAME
A1	GND	B12	GND
A2	SSTXp1	B11	SSRXp1
A3	SSTXn1	B10	SSRXn1
A4	Vbus	B9	Vbus
A5	CC1	B8	SBU2
A6	Dp1	B7	Dn2
A7	Dn1	B6	Dp2
A8	SBU1	B5	CC2
A9	Vbus	B4	Vbus
A10	SSRXn2	B3	SSTXn2
A11	SSRXp2	B2	SSTXp2
A12	GND	B1	GND



CAP VIEW

RECOMMEND P.C.B LAYOUT(COMPONENT SIDE)  
 TOLERANCE FOR PCB LAYOUT IS ± 0.05  
 KEEP OUT AREA



Item	Title	Material	Dispose	Q'TY
1	Shell	SUS304	Ni:30u" Min.	1PCS
2	GND Plate	SUS301		2PCS
3	Mid Plate	SUS301		1PCS
4	Contact	C7025	Mating Area: See P/N Solder Tails: Matt Tin	2PCS
5	InsertMolding	LCP E6808	UL 94V-0 Black	1PCS
6	COVER	LCP E6808	UL 94V-0 Black	1PCS

UNLESS OTHERWISE SPECIFIED TOLERANCES

东莞市汉博电子科技有限公司  
 DONGGUAN HANBO TECHNOLOGY CO., LTD

DECIMALS:	ANGLES:	TITLE	USB 3.1 TYPE C FEMALE VERTICAL H 15.0mm SMT TYPE		
X :±0.30	X :±2°	DWN	xiong	PART NO. MC-235	
X.X :±0.20	X.X :±1°	CHKD	lee	SCALE:1:1	UNIT: mm
X.XX :±0.10		APVD	wang	SIZE: A4	SHEET:1OF 1
CUSTOMER COPY					

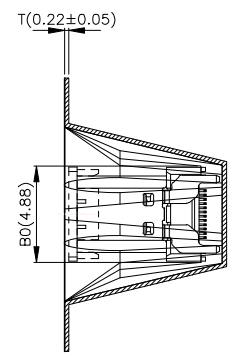
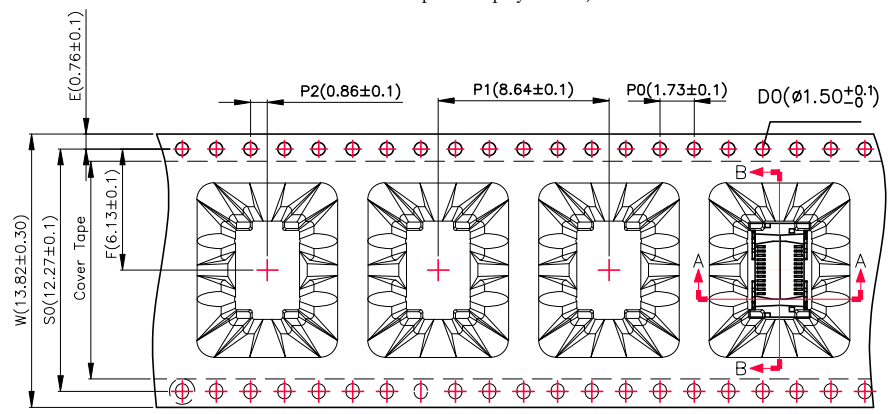
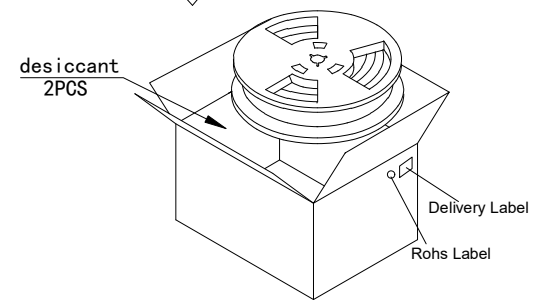
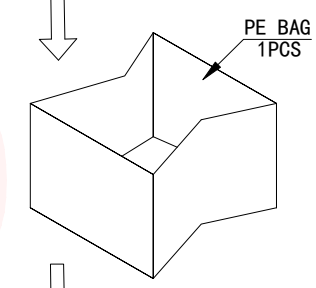
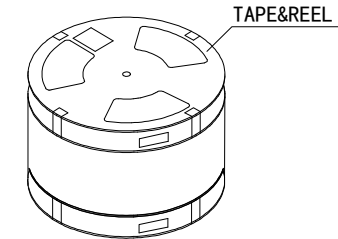
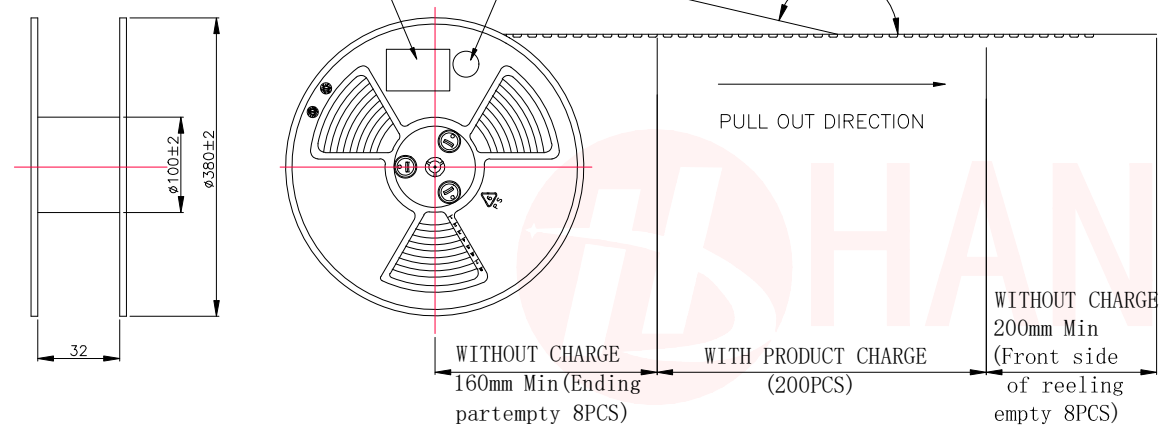


REV.	ECN NO OR DESCRIPTION	REVISED	DATE

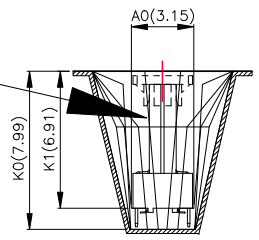
AROUND THE OUTER PERIPHERY IN A TURE. WEEDING THE COVER TAPE.

Qualified Label  
Rohs Label

PELLING ANGLE:  $165^\circ X \sim 180^\circ X$



Surface direction can be inconsisten



PRODUCT No.	QTY/REEL	REEL/CARTON	QTY/CARTON
MC-235	200PCS	8 REEL	1600PCS

UNLESS OTHERWISE SPECIFIED TOLERANCES		东莞市汉博电子科技有限公司 DONGGUAN HANBO TECHNOLOGY CO., LTD	
DECIMALS:	ANGLES:	TITLE USB 3.1 TYPE C FEMALE VERTICAL H 15.0mm SMT TYPE	
X : ±0.30	X : ±2°	DWN	xiong PART NO. MC-235
X.X : ±0.20	X.X : ±1°	CHKD	lee SCALE:1:1 UNIT: mm
X.XX : ±0.10		APVD	wang SIZE: A4 SHEET:1OF 1 REV: A4
CUSTOMER COPY			