



**TAOS Inc.**

**is now**

**ams AG**

The technical content of this TAOS datasheet is still valid.

**Contact information:**

**Headquarters:**

ams AG

Tobelbaderstrasse 30

8141 Unterpremstaetten, Austria

Tel: +43 (0) 3136 500 0

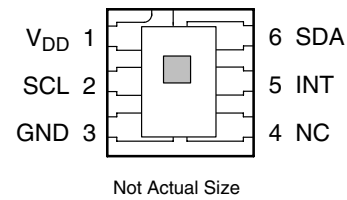
e-Mail: [ams\\_sales@ams.com](mailto:ams_sales@ams.com)

Please visit our website at [www.ams.com](http://www.ams.com)

## Features

- **Ambient Light Sensing (ALS)**
  - Approximates Human Eye Response
  - Programmable Analog Gain and Integration Time
  - 45,000,000:1 Dynamic Range
  - Operation to 60,000 lux in Sunlight
  - Very High Sensitivity — Ideally Suited for Operation Behind Dark Glass
  - Package UV Rejection Filter
- **Maskable Interrupt**
  - Programmable Upper and Lower Thresholds with Persistence Filter
- **Wait Timer and Power Management**
  - Low Power 2.2  $\mu$ A Sleep State with User-Selectable Sleep-After-Interrupt Mode
  - 90  $\mu$ A Wait State with Programmable Wait Time from 2.7 ms to > 8 seconds
- **I<sup>2</sup>C Fast Mode Compatible Interface**
  - Data Rates up to 400 kbit/s
  - Input Voltage Levels Compatible with V<sub>DD</sub> or 1.8-V Bus
- **Register Set- and Pin-Compatible with the TSL2x71 Series**
- **Small 2 mm × 2 mm Dual Flat No-Lead (FN) Package**

PACKAGE FN  
DUAL FLAT NO-LEAD  
(TOP VIEW)



## Applications

- Display Backlight Control
- Keyboard Illumination Control
- Solid State Lighting Control for Daylight Harvesting
- Printer Paper Detection

## End Products and Market Segments

- Mobile Handsets, Tablets, Laptops, Monitors and TVs, Portable Media Players
- Medical and Industrial Instrumentation
- White Goods
- Toys
- Industrial/Commercial Lighting
- Digital Signage
- Printers

## Description

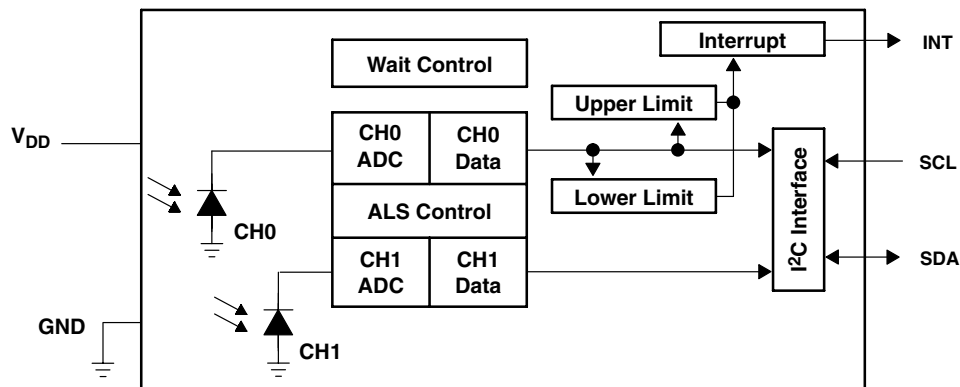
The TSL2572 device family provides ambient light sensing (ALS) that approximates human eye response to light intensity under a variety of lighting conditions and through a variety of attenuation materials. Accurate ALS measurements are the result of TAOS' patented dual-diode technology and the UV rejection filter incorporated in the package. In addition, the operating range is extended to 60,000 lux in sunlight when the low-gain mode is used.

While useful for general purpose light sensing, the TSL2572 device is particularly useful for display management to provide optimum viewing in diverse lighting conditions while extending battery life. The TSL2572 device family is ideally suited for use in mobile handsets, TVs, tablets, monitors, and portable media players where the display backlight may account for 50% to 70% of the system power consumption.

# TSL2572 LIGHT-TO-DIGITAL CONVERTER

TAOS132 – MARCH 2012

## Functional Block Diagram



## Detailed Description

The TSL2572 light-to-digital device provides on-chip photodiodes, integrating amplifiers, ADCs, accumulators, clocks, buffers, comparators, a state machine, and an I<sup>2</sup>C interface. Each device combines a Channel 0 photodiode (CH0), which is responsive to both visible and infrared light, and a channel 1 photodiode (CH1), which is responsive primarily to infrared light. Two integrating ADCs simultaneously convert the amplified photodiode currents into a digital value providing up to 16 bits of resolution. Upon completion of the conversion cycle, the conversion result is transferred to the data registers. This digital output can be read by a microprocessor through which the illuminance (ambient light level) in lux is derived using an empirical formula to approximate the human eye response.

Communication to the device is accomplished through a fast (up to 400 kHz), two-wire I<sup>2</sup>C serial bus for easy connection to a microcontroller or embedded controller. The digital output of the device is inherently more immune to noise when compared to an analog interface.

The device provides a separate pin for level-style interrupts. When interrupts are enabled and a pre-set value is exceeded, the interrupt pin is asserted and remains asserted until cleared by the controlling firmware. The interrupt feature simplifies and improves system efficiency by eliminating the need to poll a sensor for a light intensity value. An interrupt is generated when the value of an ALS conversion exceeds either an upper or lower threshold. In addition, a programmable interrupt persistence feature allows the user to determine how many consecutive exceeded thresholds are necessary to trigger an interrupt.

### Terminal Functions

| TERMINAL NAME   | NO. | TYPE | DESCRIPTION   |
|-----------------|-----|------|---|
| GND             | 3   |      | Power supply ground. All voltages are referenced to GND.                                      |
| INT             | 5   | O    | Interrupt — open drain (active low).  |
| NC              | 4   |      | Do not connect.   |
| SCL             | 2   | I    | I <sup>2</sup> C serial clock input terminal — clock signal for I <sup>2</sup> C serial data. |
| SDA             | 6   | I/O  | I <sup>2</sup> C serial data I/O terminal — serial data I/O for I <sup>2</sup> C .            |
| V <sub>DD</sub> | 1   |      | Supply voltage.   |

### Available Options

| DEVICE    | ADDRESS | PACKAGE – LEADS | INTERFACE DESCRIPTION   | ORDERING NUMBER |
|-----------|---------|-----------------|---|-----------------|
| TSL25721  | 0x39    | FN–6            | I <sup>2</sup> C V <sub>bus</sub> = V <sub>DD</sub> Interface | TSL25721FN      |
| TSL25723  | 0x39    | FN–6            | I <sup>2</sup> C V <sub>bus</sub> = 1.8 V Interface           | TSL25723FN      |
| TSL25725† | 0x29    | FN–6            | I <sup>2</sup> C V <sub>bus</sub> = V <sub>DD</sub> Interface | TSL25725FN      |
| TSL25727† | 0x29    | FN–6            | I <sup>2</sup> C V <sub>bus</sub> = 1.8 V Interface           | TSL25727FN      |

† Contact TAOS for availability.

### Absolute Maximum Ratings over operating free-air temperature range (unless otherwise noted)†

|   |                 |
|---|-----------------|
| Supply voltage, V <sub>DD</sub> (Note 1)    | 3.8 V           |
| Input terminal voltage                      | –0.5 V to 3.8 V |
| Output terminal voltage                     | –0.5 V to 3.8 V |
| Output terminal current                     | –1 mA to 20 mA  |
| Storage temperature range, T <sub>stg</sub> | –40°C to 85°C   |
| ESD tolerance, human body model             | 2000 V          |

† Stresses beyond those listed under “absolute maximum ratings” may cause permanent damage to the device. These are stress ratings only, and functional operation of the device at these or any other conditions beyond those indicated under “recommended operating conditions” is not implied. Exposure to absolute-maximum-rated conditions for extended periods may affect device reliability.

NOTE 1: All voltages are with respect to GND.

### Recommended Operating Conditions

|  | MIN | NOM | MAX | UNIT |
|--|-----|-----|-----|------|
| Supply voltage, V <sub>DD</sub> (TSL25721 & TSL25725) (I <sup>2</sup> C V <sub>bus</sub> = V <sub>DD</sub> ) | 2.4 | 3   | 3.6 | V    |
| Supply voltage, V <sub>DD</sub> (TSL25723 & TSL25727) (I <sup>2</sup> C V <sub>bus</sub> = 1.8 V)            | 2.7 | 3   | 3.6 | V    |
| Operating free-air temperature, T <sub>A</sub>   | –30 |     | 70  | °C   |



# TSL2572 LIGHT-TO-DIGITAL CONVERTER

TAOS132 – MARCH 2012

## Operating Characteristics, $V_{DD} = 3\text{ V}$ , $T_A = 25^\circ\text{C}$ (unless otherwise noted)

| PARAMETER  |                                     | TEST CONDITIONS                         | MIN          | TYP | MAX | UNIT          |
|------------|-------------------------------------|---|--------------|-----|-----|---------------|
| $I_{DD}$   | Supply current                      | Active                                  |              | 200 | 250 | $\mu\text{A}$ |
|            |                                     | Wait state                              |              | 90  |     |               |
|            |                                     | Sleep state — no $I^2\text{C}$ activity |              | 2.2 | 4   |               |
| $V_{OL}$   | INT, SDA output low voltage         | 3 mA sink current                       | 0            |     | 0.4 | V             |
|            |                                     | 6 mA sink current                       | 0            |     | 0.6 |               |
| $I_{LEAK}$ | Leakage current, SDA, SCL, INT pins |   | -5           |     | 5   | $\mu\text{A}$ |
| $V_{IH}$   | SCL, SDA input high voltage         | TSL25721, TSL25725                      | 0.7 $V_{DD}$ |     |     | V             |
|            |                                     | TSL25723, TSL25727                      | 1.25         |     |     |               |
| $V_{IL}$   | SCL, SDA input low voltage          | TSL25721, TSL25725                      | 0.3 $V_{DD}$ |     |     | V             |
|            |                                     | TSL25723, TSL25727                      | 0.54         |     |     |               |

## ALS Characteristics, $V_{DD} = 3\text{ V}$ , $T_A = 25^\circ\text{C}$ , $\text{AGAIN} = 16\times$ , $\text{AEN} = 1$ (unless otherwise noted) (Notes 1, 2, 3)

| PARAMETER  |   | TEST CONDITIONS | CHANNEL | MIN   | TYP   | MAX                                      | UNIT |
|--|---|-----------------|---------|-------|-------|--|------|
| Dark ADC count value                                 | $E_e = 0$ , $\text{AGAIN} = 120\times$ ,<br>$\text{ATIME} = 0\times\text{DB}$ (100 ms)  | CH0             | 0       | 1     | 5     | counts                                   |      |
|  |   | CH1             | 0       | 1     | 5     |  |      |
| ADC integration time step size                       | $\text{ATIME} = 0\times\text{FF}$   |                 | 2.58    | 2.73  | 2.9   | ms                                       |      |
| ADC number of integration steps<br>(Note 4)          |   |                 | 1       |       | 256   | steps                                    |      |
| ADC counts per step (Note 4)                         | $\text{ATIME} = 0\times\text{FF}$   |                 | 0       |       | 1024  | counts                                   |      |
| ADC count value (Note 4)                             | $\text{ATIME} = 0\times\text{C0}$   |                 | 0       |       | 65535 | counts                                   |      |
| ADC count value                                      | White light, $E_e = 263.9\ \mu\text{W}/\text{cm}^2$ ,<br>$\text{ATIME} = 0\times\text{F6}$ (27 ms) (Note 2)                   | CH0             | 4000    | 5000  | 6000  | counts                                   |      |
|  |   | CH1             |         | 680   |       |  |      |
|  | $\lambda_p = 850\ \text{nm}$ , $E_e = 263.4\ \mu\text{W}/\text{cm}^2$ ,<br>$\text{ATIME} = 0\times\text{F6}$ (27 ms) (Note 3) | CH0             | 4000    | 5000  | 6000  |  |      |
|  |   | CH1             |         | 2850  |       |  |      |
| ADC count value ratio: CH1/CH0                       | White light, $\text{ATIME} = 0\times\text{F6}$ (27 ms) (Note 2)   |                 | 0.086   | 0.136 | 0.186 |  |      |
|  | $\lambda_p = 850\ \text{nm}$ , $\text{ATIME} = 0\times\text{F6}$ (27 ms) (Note 3)   |                 | 0.456   | 0.570 | 0.684 |  |      |
| $R_e$  | White light, $\text{ATIME} = 0\times\text{F6}$ (27 ms)<br>(Note 2)  | CH0             |         | 18.9  |       | counts/<br>( $\mu\text{W}/\text{cm}^2$ ) |      |
|  |   | CH1             |         | 2.58  |       |  |      |
|  | $\lambda_p = 850\ \text{nm}$ , $\text{ATIME} = 0\times\text{F6}$ (27 ms)<br>(Note 3)  | CH0             |         | 19.0  |       |  |      |
|  |   | CH1             |         | 10.8  |       |  |      |
| Gain scaling, relative to 1 $\times$ gain<br>setting | $\text{AGAIN} = 1\times$ and $\text{AGL} = 1$   |                 | 0.128   | 0.16  | 0.192 | $\times$                                 |      |
|  | $\text{AGAIN} = 8\times$ and $\text{AGL} = 0$   |                 | 7.2     | 8.0   | 8.8   |  |      |
|  | $\text{AGAIN} = 16\times$ and $\text{AGL} = 0$  |                 | 14.4    | 16.0  | 17.6  |  |      |
|  | $\text{AGAIN} = 120\times$ and $\text{AGL} = 0$   |                 | 108     | 120   | 132   |  |      |

- NOTES: 1. Optical measurements are made using small-angle incident radiation from light-emitting diode optical sources. Visible white LEDs and infrared 850 nm LEDs are used for final product testing for compatibility with high-volume production.
2. The white LED irradiance is supplied by a white light-emitting diode with a nominal color temperature of 4000 K.
3. The 850 nm irradiance  $E_e$  is supplied by a GaAs light-emitting diode with the following typical characteristics: peak wavelength  $\lambda_p = 850\ \text{nm}$  and spectral halfwidth  $\Delta\lambda_{1/2} = 42\ \text{nm}$ .
4. Parameter ensured by design and is not tested.

Wait Characteristics,  $V_{DD} = 3\text{ V}$ ,  $T_A = 25^\circ\text{C}$ ,  $WEN = 1$  (unless otherwise noted)

| PARAMETER                                 | TEST CONDITIONS | CHANNEL | MIN  | TYP  | MAX | UNIT  |
|---|-----------------|---------|------|------|-----|-------|
| Wait step size                            | WTIME = 0xFF    |         | 2.58 | 2.73 | 2.9 | ms    |
| Wait number of integration steps (Note 1) |                 |         | 1    |      | 256 | steps |

NOTE 1: Parameter ensured by design and is not tested.

AC Electrical Characteristics,  $V_{DD} = 3\text{ V}$ ,  $T_A = 25^\circ\text{C}$  (unless otherwise noted)

| PARAMETER†   | TEST CONDITIONS | MIN | TYP | MAX | UNIT          |
|--|-----------------|-----|-----|-----|---------------|
| $f_{(SCL)}$ Clock frequency (I <sup>2</sup> C only)  |                 | 0   |     | 400 | kHz           |
| $t_{(BUF)}$ Bus free time between start and stop condition   |                 | 1.3 |     |     | $\mu\text{s}$ |
| $t_{(HDSTA)}$ Hold time after (repeated) start condition. After this period, the first clock is generated. |                 | 0.6 |     |     | $\mu\text{s}$ |
| $t_{(SUSTA)}$ Repeated start condition setup time  |                 | 0.6 |     |     | $\mu\text{s}$ |
| $t_{(SUSTO)}$ Stop condition setup time  |                 | 0.6 |     |     | $\mu\text{s}$ |
| $t_{(HDDAT)}$ Data hold time   |                 | 0   |     |     | $\mu\text{s}$ |
| $t_{(SUDAT)}$ Data setup time  |                 | 100 |     |     | ns            |
| $t_{(LOW)}$ SCL clock low period   |                 | 1.3 |     |     | $\mu\text{s}$ |
| $t_{(HIGH)}$ SCL clock high period   |                 | 0.6 |     |     | $\mu\text{s}$ |
| $t_F$ Clock/data fall time   |                 |     |     | 300 | ns            |
| $t_R$ Clock/data rise time   |                 |     |     | 300 | ns            |
| $C_i$ Input pin capacitance  |                 |     |     | 10  | pF            |

† Specified by design and characterization; not production tested.

PARAMETER MEASUREMENT INFORMATION

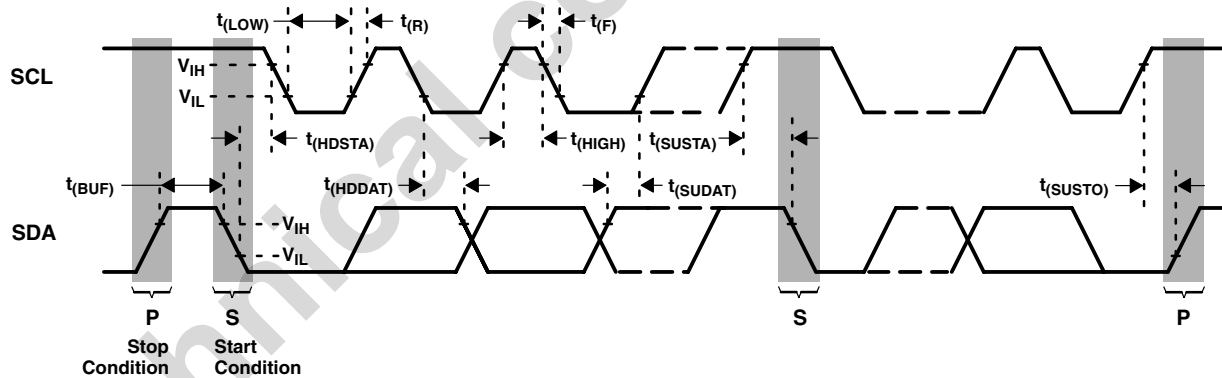
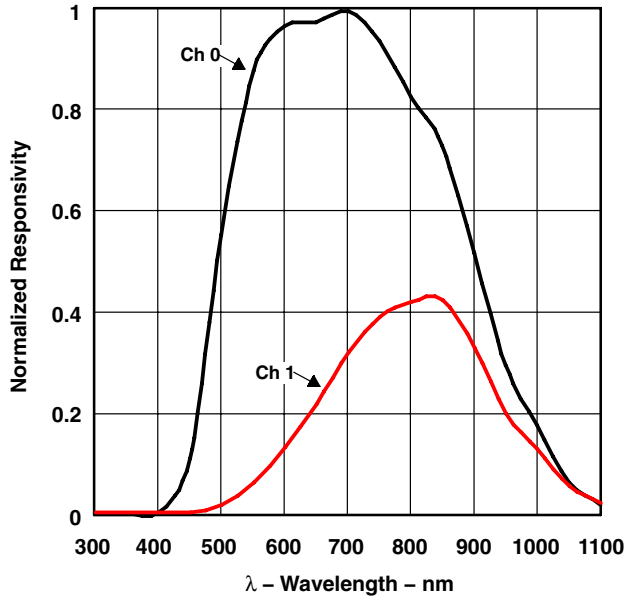


Figure 1. Timing Diagrams

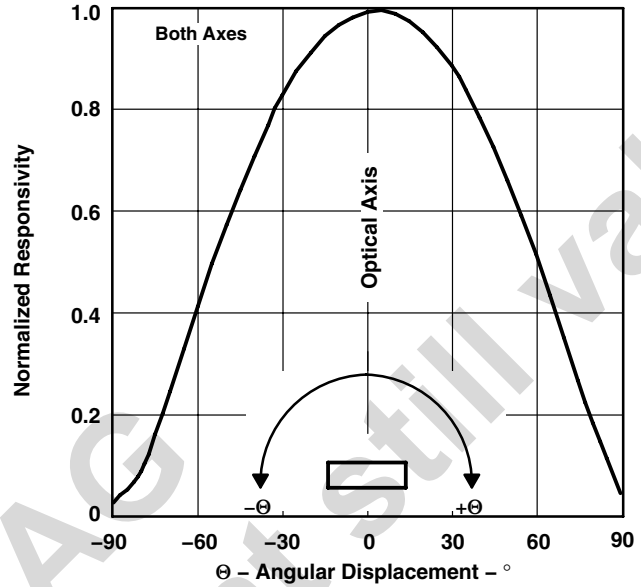
**TYPICAL CHARACTERISTICS**

**SPECTRAL RESPONSIVITY**



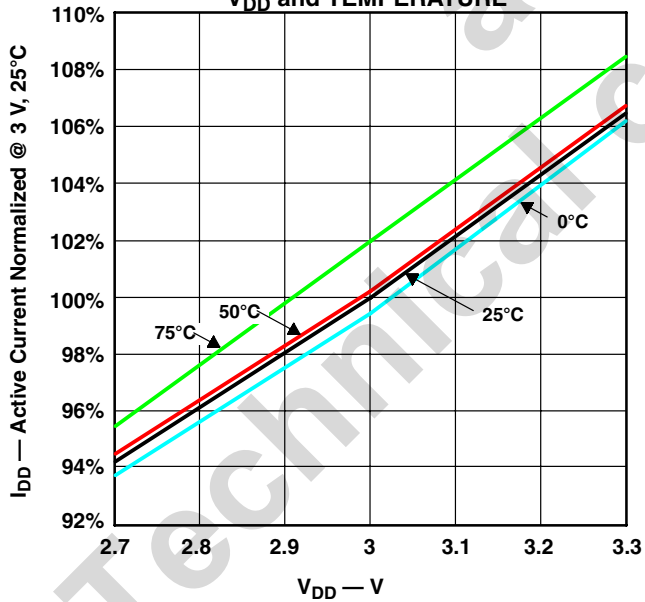
**Figure 2**

**NORMALIZED RESPONSIVITY vs. ANGULAR DISPLACEMENT**



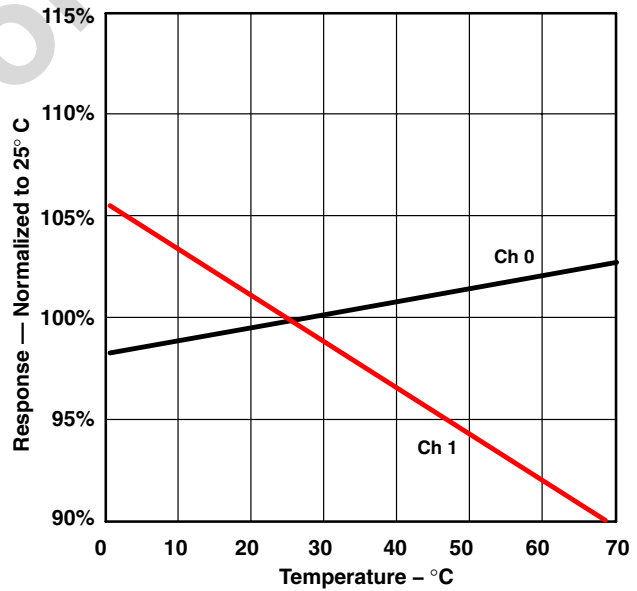
**Figure 3**

**NORMALIZED I<sub>DD</sub> vs. V<sub>DD</sub> and TEMPERATURE**



**Figure 4**

**RESPONSE TO WHITE LED vs. TEMPERATURE**



**Figure 5**

PRINCIPLES OF OPERATION

System State Machine

An internal state machine provides system control of the ALS and wait timer features of the device. At power up, an internal power-on-reset initializes the device and puts it in a low-power Sleep state.

When a start condition is detected on the I<sup>2</sup>C bus, the device transitions to the Idle state where it checks the Enable register (0x00) PON bit. If PON is disabled, the device will return to the Sleep state to save power. Otherwise, the device will remain in the Idle state until the ALS function is enabled. Once enabled, the device will execute the Wait and ALS states in sequence as indicated in Figure 6. Upon completion and return to Idle, the device will automatically begin a new Wait-ALS cycle as long as PON and AEN remain enabled.

If the ALS function generates an interrupt and the Sleep-After-Interrupt (SAI) feature is enabled, the device will transition to the Sleep state and remain in a low-power mode until an I<sup>2</sup>C command is received. See the Interrupts section for additional information.

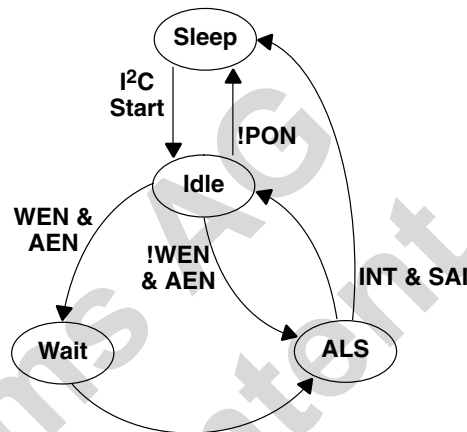


Figure 6. Simplified State Diagram

Photodiodes

Conventional ALS detectors respond strongly to infrared light, which the human eye does not see. This can lead to significant error when the infrared content of the ambient light is high (such as with incandescent lighting).

This problem is overcome through the use of two photodiodes. The Channel 0 photodiode, referred to as the CH0 channel, is sensitive to both visible and infrared light, while the Channel 1 photodiode, referred to as CH1, is sensitive primarily to infrared light. Two integrating ADCs convert the photodiode currents to digital outputs. The ADC digital outputs from the two channels are used in a formula to obtain a value that approximates the human eye response in units of lux.



# TSL2572 LIGHT-TO-DIGITAL CONVERTER

TAOS132 – MARCH 2012

## ALS Operation

The ALS engine contains ALS gain control (AGAIN) and two integrating analog-to-digital converters (ADC), one for the CH0 and one for the CH1 photodiodes. The ALS integration time (ATIME) impacts both the resolution and the sensitivity of the ALS reading. Integration of both channels occurs simultaneously and upon completion of the conversion cycle, the results are transferred to the data registers (C0DATA and C1DATA). This data is also referred to as channel *count*. The transfers are double-buffered to ensure data integrity.

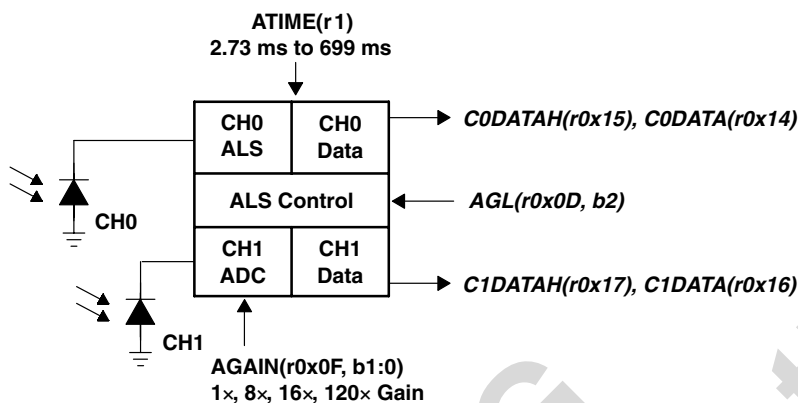


Figure 7. ALS Operation

The registers for programming the integration and wait times are 2's compliment values. The actual time can be calculated as follows:

$$ATIME = 256 - \text{Integration Time} / 2.73 \text{ ms}$$

Inversely, the time can be calculated from the register value as follows:

$$\text{Integration Time} = 2.73 \text{ ms} \times (256 - ATIME)$$

In order to reject the 50/60-Hz ripple present in fluorescent lighting, the integration time needs to be programmed in multiples of 10 / 8.3 ms or the half cycle time. Both frequencies can be rejected with a programmed value of 50 ms (ATIME = 0xED) or multiples of 50 ms (i.e. 100, 150, 200, 400, 600).

AGAIN can be programmed to 1x, 8x, 16x, or 120x with the 2-bit AGAIN field in the Control register (0x0F). The gain, in terms of amount of gain, will be represented by the value AGAINx, i.e. AGAINx = 1, 8, 16, or 120. With the AGL bit set, the 1x and 8x gains are lowered to 1/6x and 8/6x, respectively, to allow for operation up to 60k lux. Do not enable AGL when AGAIN is 16x or 120x.

## Lux Equation

The lux calculation is a function of CH0 channel count (C0DATA), CH1 channel count (C1DATA), ALS gain (AGAINx), and ALS integration time in milliseconds (ATIME\_ms). If an aperture, glass/plastic, or a light pipe attenuates the light equally across the spectrum (300 nm to 1100 nm), then a scaling factor referred to as glass attenuation (GA) can be used to compensate for attenuation. For a device in open air with no aperture or glass/plastic above the device, GA = 1. If it is not spectrally flat, then a custom lux equation with new coefficients should be generated. (See TAOS application note).

Counts per Lux (CPL) needs to be calculated only when ATIME or AGAIN is changed, otherwise it remains a constant. The first segment of the equation (Lux1) covers fluorescent and incandescent light. The second segment (Lux2) covers dimmed incandescent light. The final lux is the maximum of Lux1, Lux2, or 0.

$$\begin{aligned} CPL &= (ATIME\_ms \times AGAINx) / (GA \times 60) \\ Lux1 &= (1 \times C0DATA - 1.87 \times C1DATA) / CPL \\ Lux2 &= (0.63 \times C0DATA - 1 \times C1DATA) / CPL \\ Lux &= \text{MAX}(Lux1, Lux2, 0) \end{aligned}$$

## Interrupts

The interrupt feature simplifies and improves system efficiency by eliminating the need to poll the sensor for light intensity values outside of a user-defined range. While the interrupt function is always enabled and its status is available in the status register (0x13), the output of the interrupt state can be enabled using the ALS interrupt enable (AIEN) fields in the enable register (0x00).

Two 16-bit interrupt threshold registers allow the user to set limits below and above a desired light level. An interrupt can be generated when the ALS CH0 data (C0DATA) falls outside of the desired light level range, as determined by the values in the ALS interrupt low threshold registers (AILTx) and ALS interrupt high threshold registers (AIHTx).

It is important to note that the thresholds are evaluated in sequence, first the low threshold, then the high threshold. As a result, if the low threshold is set above the high threshold, the high threshold is ignored and only the low threshold is evaluated.

To further control when an interrupt occurs, the device provides a persistence filter. The persistence filter allows the user to specify the number of consecutive out-of-range ALS occurrences before an interrupt is generated. The persistence filter register (0x0C) allows the user to set the ALS persistence filter (APERS) value. See the persistence filter register for details on the persistence filter values. Once the persistence filter generates an interrupt, it will continue until a special function interrupt clear command is received (see command register).

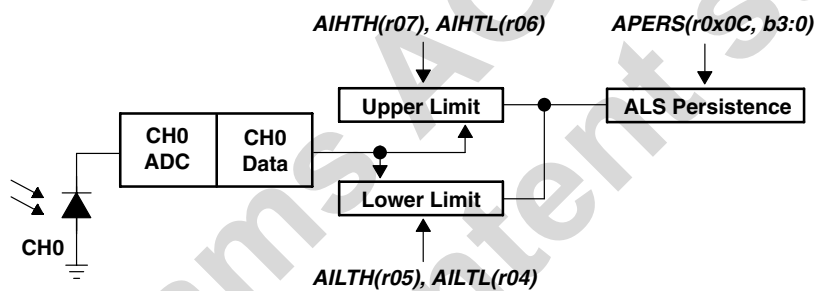


Figure 8. Programmable Interrupt

# TSL2572 LIGHT-TO-DIGITAL CONVERTER

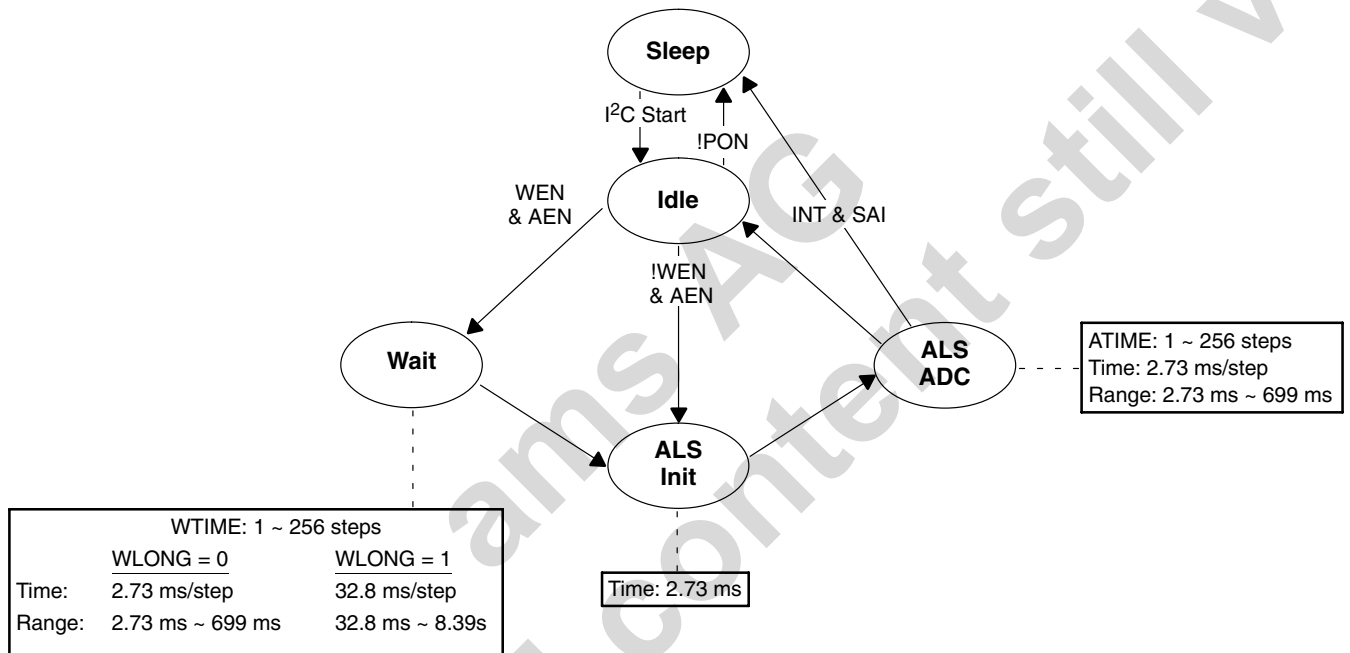
TAOS132 – MARCH 2012

## System State Machine Timing

The system state machine shown in Figure 6 provides an overview of the states and state transitions that provide system control of the device. This section highlights the programmable features, which affect the state machine cycle time, and provides details to determine system level timing.

When the power management feature is enabled (WEN), the state machine will transition in turn to the Wait state. The wait time is determined by WLONG, which extends normal operation by 12× when asserted, and WTIME. The formula to determine the wait time is given in the box associated with the Wait state in Figure 9.

When the ALS feature is enabled (AEN), the state machine will transition through the ALS Init and ALS ADC states. The ALS Init state takes 2.73 ms, while the ALS ADC time is dependent on the integration time (ATIME). The formula to determine ALS ADC time is given in the associated box in Figure 9. If an interrupt is generated as a result of the ALS cycle, it will be asserted at the end of the ALS ADC state and transition to the Sleep state if SAI is enabled.



Note: PON, WEN, AEN, and SAI are fields in the Enable register (0x00).

Figure 9. Detailed State Diagram

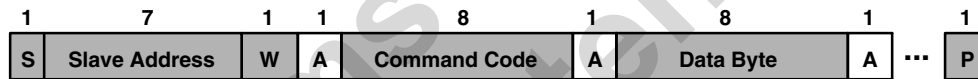
## I<sup>2</sup>C Protocol

Interface and control are accomplished through an I<sup>2</sup>C serial compatible interface (standard or fast mode) to a set of registers that provide access to device control functions and output data. The devices support the 7-bit I<sup>2</sup>C addressing protocol.

The I<sup>2</sup>C standard provides for three types of bus transaction: read, write, and a combined protocol (Figure 10). During a write operation, the first byte written is a command byte followed by data. In a combined protocol, the first byte written is the command byte followed by reading a series of bytes. If a read command is issued, the register address from the previous command will be used for data access. Likewise, if the MSB of the command is not set, the device will write a series of bytes at the address stored in the last valid command with a register address. The command byte contains either control information or a 5-bit register address. The control commands can also be used to clear interrupts.

The I<sup>2</sup>C bus protocol was developed by Philips (now NXP). For a complete description of the I<sup>2</sup>C protocol, please review the NXP I<sup>2</sup>C design specification at <http://www.i2c-bus.org/references/>.

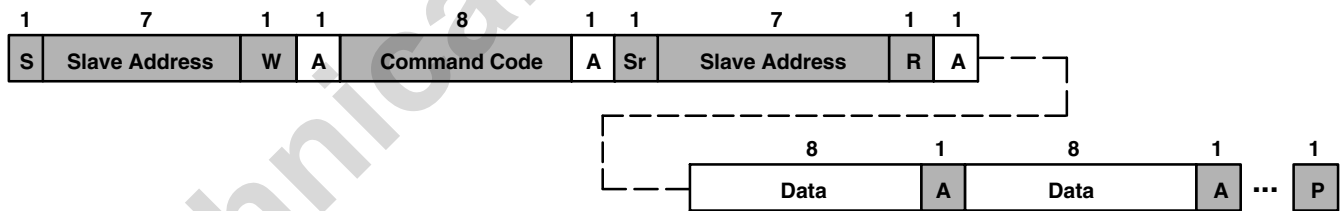
- A Acknowledge (0)
- N Not Acknowledged (1)
- P Stop Condition
- R Read (1)
- S Start Condition
- Sr Repeated Start Condition
- W Write (0)
- ... Continuation of protocol
- ▣ Master-to-Slave
- Slave-to-Master



I<sup>2</sup>C Write Protocol



I<sup>2</sup>C Read Protocol



I<sup>2</sup>C Read Protocol — Combined Format

Figure 10. I<sup>2</sup>C Protocols

# TSL2572 LIGHT-TO-DIGITAL CONVERTER

TAOS132 – MARCH 2012

## Register Set

The device is controlled and monitored by data registers and a command register accessed through the serial interface. These registers provide for a variety of control functions and can be read to determine results of the ADC conversions. The register set is summarized in Table 1.

**Table 1. Register Address**

| ADDRESS | REGISTER NAME | R/W | REGISTER FUNCTION                      | RESET VALUE |
|---------|---------------|-----|--|-------------|
| --      | COMMAND       | W   | Specifies register address             | 0x00        |
| 0x00    | ENABLE        | R/W | Enables states and interrupts          | 0x00        |
| 0x01    | ATIME         | R/W | ALS time                               | 0xFF        |
| 0x03    | WTIME         | R/W | Wait time                              | 0xFF        |
| 0x04    | AILTL         | R/W | ALS interrupt low threshold low byte   | 0x00        |
| 0x05    | AILTH         | R/W | ALS interrupt low threshold high byte  | 0x00        |
| 0x06    | AIHTL         | R/W | ALS interrupt high threshold low byte  | 0x00        |
| 0x07    | AIHTH         | R/W | ALS interrupt high threshold high byte | 0x00        |
| 0x0C    | PERS          | R/W | Interrupt persistence filters          | 0x00        |
| 0x0D    | CONFIG        | R/W | Configuration                          | 0x00        |
| 0x0F    | CONTROL       | R/W | Control register                       | 0x00        |
| 0x12    | ID            | R   | Device ID                              | ID          |
| 0x13    | STATUS        | R   | Device status                          | 0x00        |
| 0x14    | C0DATA        | R   | CH0 ADC low data register              | 0x00        |
| 0x15    | C0DATAH       | R   | CH0 ADC high data register             | 0x00        |
| 0x16    | C1DATA        | R   | CH1 ADC low data register              | 0x00        |
| 0x17    | C1DATAH       | R   | CH1 ADC high data register             | 0x00        |

The mechanics of accessing a specific register depends on the specific protocol used. See the section on I<sup>2</sup>C protocols on the previous pages. In general, the COMMAND register is written first to specify the specific control/status register for following read/write operations.

## Command Register

The command registers specifies the address of the target register for future write and read operations.

**Table 2. Command Register**

|         |         | 7  | 6  | 5 | 4   | 3 | 2 | 1 | 0 |               |
|---------|---------|--|--|---|-----|---|---|---|---|---------------|
| COMMAND | COMMAND | TYPE   |  |   | ADD |   |   |   |   | Reset<br>0x00 |
| FIELD   | BITS    | DESCRIPTION  |  |   |     |   |   |   |   |               |
| COMMAND | 7       | Select Command Register. Must write as 1 when addressing COMMAND register.   |  |   |     |   |   |   |   |               |
| TYPE    | 6:5     | Selects type of transaction to follow in subsequent data transfers:  |  |   |     |   |   |   |   |               |
|         |         | FIELD VALUE  | DESCRIPTION                              |   |     |   |   |   |   |               |
|         |         | 00   | Repeated byte protocol transaction       |   |     |   |   |   |   |               |
|         |         | 01   | Auto-increment protocol transaction      |   |     |   |   |   |   |               |
|         |         | 10   | Reserved — Do not use                    |   |     |   |   |   |   |               |
|         |         | 11   | Special function — See description below |   |     |   |   |   |   |               |
|         |         | Transaction type 00 will repeatedly read the same register with each data access.<br>Transaction type 01 will provide an auto-increment function to read successive register bytes.  |  |   |     |   |   |   |   |               |
| ADD     | 4:0     | Address field/special function field. Depending on the transaction type, see above, this field either specifies a special function command or selects the specific control-status-register for following write and read transactions. The field values listed below apply only to special function commands: |  |   |     |   |   |   |   |               |
|         |         | FIELD VALUE  | DESCRIPTION                              |   |     |   |   |   |   |               |
|         |         | 00000  | Normal — no action                       |   |     |   |   |   |   |               |
|         |         | 00110  | ALS interrupt clear                      |   |     |   |   |   |   |               |
|         |         | other  | Reserved — Do not write                  |   |     |   |   |   |   |               |
|         |         | The ALS interrupt clear special function clears any pending ALS interrupt and is self clearing.  |  |   |     |   |   |   |   |               |



# TSL2572 LIGHT-TO-DIGITAL CONVERTER

TAOS132 – MARCH 2012

## Enable Register (0x00)

The ENABLE register is used to power the device on/off, enable functions, and interrupts.

**Table 3. Enable Register**

| ENABLE | 7        | 6   | 5        | 4    | 3   | 2        | 1   | 0   | Reset<br>0x00 |
|--------|----------|-----|----------|------|-----|----------|-----|-----|---------------|
|        | Reserved | SAI | Reserved | AIEN | WEN | Reserved | AEN | PON |               |

| FIELD    | BITS | DESCRIPTION   |
|----------|------|---|
| Reserved | 7    | Reserved. Write as 0.   |
| SAI      | 6    | Sleep after interrupt. When asserted, the device will power down at the end of an ALS cycle if an interrupt has been generated.   |
| Reserved | 5    | Reserved. Write as 0.   |
| AIEN     | 4    | ALS interrupt mask. When asserted, permits ALS interrupts to be generated.  |
| WEN      | 3    | Wait Enable. This bit activates the wait feature. Writing a 1 activates the wait timer. Writing a 0 disables the wait timer.  |
| Reserved | 2    | Reserved. Write as 0.   |
| AEN      | 1    | ALS Enable. This bit activates the two channel ADC. Writing a 1 activates the ALS. Writing a 0 disables the ALS.  |
| PON      | 0    | Power ON. This bit activates the internal oscillator to permit the timers and ADC channels to operate. Writing a 1 activates the oscillator. Writing a 0 disables the oscillator. |

## ALS Time Register (0x01)

The ALS time register controls the internal integration time of the ALS channel ADCs in 2.73 ms increments. Upon power up, the ALS time register is set to 0xFF.

**Table 4. ALS Time Register**

| FIELD | BITS | DESCRIPTION |              |         |           |
|-------|------|-------------|--------------|---------|-----------|
|       |      | VALUE       | INTEG_CYCLES | TIME    | MAX COUNT |
| ATIME | 7:0  | 0xFF        | 1            | 2.73 ms | 1024      |
|       |      | 0xF6        | 10           | 27.3 ms | 10240     |
|       |      | 0xDB        | 37           | 101 ms  | 37888     |
|       |      | 0xC0        | 64           | 175 ms  | 65535     |
|       |      | 0x00        | 256          | 699 ms  | 65535     |

## Wait Time Register (0x03)

Wait time is set 2.73 ms increments unless the WLONG bit is asserted in which case the wait times are 12x longer. WTIME is programmed as a 2's complement number. Upon power up, the wait time register is set to 0xFF.

**Table 5. Wait Time Register**

| FIELD | BITS | DESCRIPTION    |           |                  |                  |
|-------|------|----------------|-----------|------------------|------------------|
|       |      | REGISTER VALUE | WAIT TIME | TIME (WLONG = 0) | TIME (WLONG = 1) |
| WTIME | 7:0  | 0xFF           | 1         | 2.73 ms          | 0.033 sec        |
|       |      | 0xB6           | 74        | 202 ms           | 2.4 sec          |
|       |      | 0x00           | 256       | 699 ms           | 8.4 sec          |

NOTE: The Wait Time Register should be configured before AEN is asserted.

### ALS Interrupt Threshold Registers (0x04 – 0x07)

The ALS interrupt threshold registers provides the values to be used as the high and low trigger points for the comparison function for interrupt generation. If C0DATA crosses below the low threshold specified, or above the higher threshold, an interrupt is asserted on the interrupt pin.

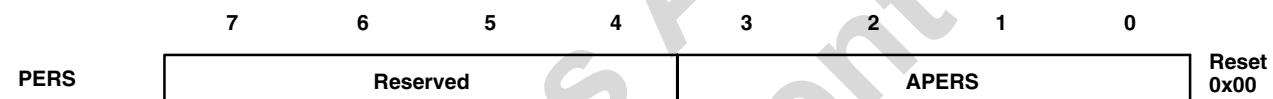
**Table 6. ALS Interrupt Threshold Registers**

| REGISTER | ADDRESS | BITS | DESCRIPTION                   |
|----------|---------|------|-------------------------------|
| AILTL    | 0x04    | 7:0  | ALS low threshold lower byte  |
| AILTH    | 0x05    | 7:0  | ALS low threshold upper byte  |
| AIHTL    | 0x06    | 7:0  | ALS high threshold lower byte |
| AIHTH    | 0x07    | 7:0  | ALS high threshold upper byte |

### Persistence Filter Register (0x0C)

The persistence filter register controls the interrupt capabilities of the device. Configurable filtering is provided to allow interrupts to be generated after every ADC cycle or if the ADC cycle has produced a result that is outside of the values specified by threshold register for some specified amount of time. ALS interrupts are generated using C0DATA.

**Table 7. Persistence Filter Register**



| FIELD    | BITS | DESCRIPTION   |                |  |
|----------|------|---|----------------|--|
| Reserved | 7:4  | Reserved. Write as 0.   |                |  |
| APERS    | 3:0  | ALS Interrupt persistence filter. Controls rate of ALS interrupt to the host processor. |                |  |
|          |      | <b>FIELD VALUE</b>  | <b>MEANING</b> | <b>INTERRUPT PERSISTENCE FUNCTION</b>  |
|          |      | 0000  | Every          | Every ALS cycle generates an interrupt |
|          |      | 0001  | 1              | 1 value outside of threshold range     |
|          |      | 0010  | 2              | 2 consecutive values out of range      |
|          |      | 0011  | 3              | 3 consecutive values out of range      |
|          |      | 0100  | 5              | 5 consecutive values out of range      |
|          |      | 0101  | 10             | 10 consecutive values out of range     |
|          |      | 0110  | 15             | 15 consecutive values out of range     |
|          |      | 0111  | 20             | 20 consecutive values out of range     |
|          |      | 1000  | 25             | 25 consecutive values out of range     |
|          |      | 1001  | 30             | 30 consecutive values out of range     |
|          |      | 1010  | 35             | 35 consecutive values out of range     |
|          |      | 1011  | 40             | 40 consecutive values out of range     |
|          |      | 1100  | 45             | 45 consecutive values out of range     |
| 1101     | 50   | 50 consecutive values out of range  |                |  |
| 1110     | 55   | 55 consecutive values out of range  |                |  |
| 1111     | 60   | 60 consecutive values out of range  |                |  |



# TSL2572 LIGHT-TO-DIGITAL CONVERTER

TAOS132 – MARCH 2012

## Configuration Register (0x0D)

The configuration register sets the wait long time and ALS gain level.

**Table 8. Configuration Register**

|        |          |   |   |   |   |     |       |          |               |
|--------|----------|---|---|---|---|-----|-------|----------|---------------|
|        | 7        | 6 | 5 | 4 | 3 | 2   | 1     | 0        |               |
| CONFIG | Reserved |   |   |   |   | AGL | WLONG | Reserved | Reset<br>0x00 |

| FIELD    | BITS | DESCRIPTION   |
|----------|------|---|
| Reserved | 7:3  | Reserved. Write as 0.   |
| AGL      | 2    | ALS gain level. When asserted, the 1× and 8× ALS gain (AGAIN) modes are scaled by 0.16. Otherwise, AGAIN is scaled by 1. Do not use with AGAIN greater than 8×. |
| WLONG    | 1    | Wait Long. When asserted, the wait cycles are increased by a factor 12× from that programmed in the WTIME register.   |
| Reserved | 0    | Reserved. Write as 0.   |

## Control Register (0x0F)

The Control register provides ALS gain control to the analog block.

**Table 9. Control Register**

|         |          |   |   |   |   |       |   |               |  |
|---------|----------|---|---|---|---|-------|---|---------------|--|
|         | 7        | 6 | 5 | 4 | 3 | 2     | 1 | 0             |  |
| CONTROL | Reserved |   |   |   |   | AGAIN |   | Reset<br>0x00 |  |

| FIELD    | BITS | DESCRIPTION           |                       |
|----------|------|-----------------------|-----------------------|
| Reserved | 7:2  | Reserved. Write as 0. |                       |
| AGAIN    | 1:0  | ALS Gain.             |                       |
|          |      | <b>FIELD VALUE</b>    | <b>ALS GAIN VALUE</b> |
|          |      | 00                    | 1× gain               |
|          |      | 01                    | 8× gain               |
|          |      | 10                    | 16× gain              |
|          |      | 11                    | 120× gain             |

## ID Register (0x12)

The ID Register provides the value for the part number. The ID register is a read-only register.

**Table 10. ID Register**

|    |    |   |   |   |   |   |   |             |  |
|----|----|---|---|---|---|---|---|-------------|--|
|    | 7  | 6 | 5 | 4 | 3 | 2 | 1 | 0           |  |
| ID | ID |   |   |   |   |   |   | Reset<br>ID |  |

| FIELD | BITS | DESCRIPTION                |                            |
|-------|------|----------------------------|----------------------------|
| ID    | 7:0  | Part number identification | 0x34= TSL25721 & TSL25725  |
|       |      |                            | 0x3D = TSL25723 & TSL25727 |

## Status Register (0x13)

The Status Register provides the internal status of the device. This register is read only.

**Table 11. Status Register**

|          | 7        | 6   | 5 | 4    | 3        | 2 | 1 | 0      |               |
|----------|----------|---|---|------|----------|---|---|--------|---------------|
| STATUS   | Reserved |   |   | AINT | Reserved |   |   | AVALID | Reset<br>0x00 |
| FIELD    | BIT      | DESCRIPTION   |   |      |          |   |   |        |               |
| Reserved | 7:5      | Reserved. Bits read as 0.   |   |      |          |   |   |        |               |
| AINT     | 4        | ALS Interrupt. Indicates that the device is asserting an ALS interrupt.                                     |   |      |          |   |   |        |               |
| Reserved | 3:1      | Reserved. Bits read as 0.   |   |      |          |   |   |        |               |
| AVALID   | 0        | ALS Valid. Indicates that the ALS channels have completed an integration cycle after AEN has been asserted. |   |      |          |   |   |        |               |

## ADC Channel Data Registers (0x14 – 0x17)

ALS data is stored as two 16-bit values. To ensure the data is read correctly, a two-byte read I<sup>2</sup>C transaction should be used with auto increment protocol bits set in the command register. With this operation, when the lower byte register is read, the upper eight bits are stored in a shadow register, which is read by a subsequent read to the upper byte. The upper register will read the correct value even if additional ADC integration cycles end between the reading of the lower and upper registers.

**Table 12. ADC Channel Data Registers**

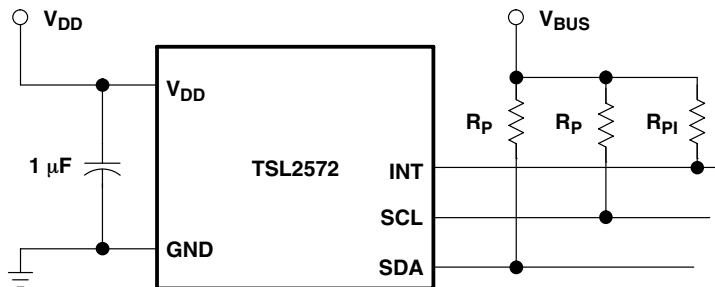
| REGISTER | ADDRESS | BITS | DESCRIPTION            |
|----------|---------|------|------------------------|
| C0DATA   | 0x14    | 7:0  | ALS CH0 data low byte  |
| C0DATAH  | 0x15    | 7:0  | ALS CH0 data high byte |
| C1DATA   | 0x16    | 7:0  | ALS CH1 data low byte  |
| C1DATAH  | 0x17    | 7:0  | ALS CH1 data high byte |



**APPLICATION INFORMATION: HARDWARE**

**Typical Hardware Application**

A typical hardware application circuit is shown in Figure 11. A 1- $\mu\text{F}$  low-ESR decoupling capacitor should be placed as close as possible to the  $V_{\text{DD}}$  pin.



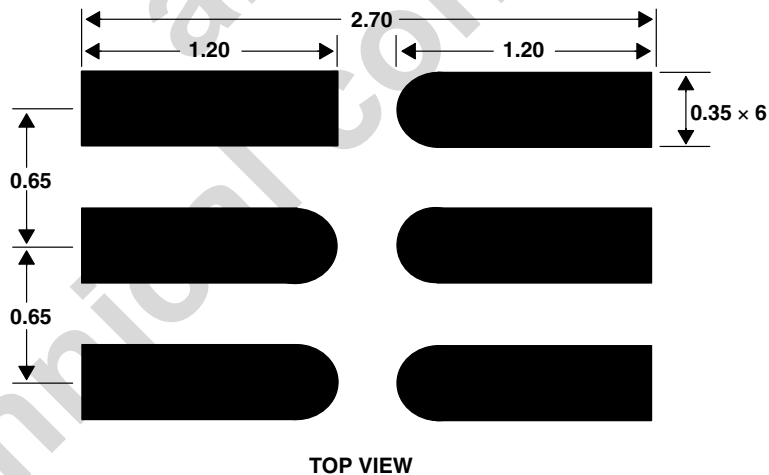
**Figure 11. Typical Application Hardware Circuit**

$V_{\text{BUS}}$  in Figure 11 refers to the I<sup>2</sup>C bus voltage, which is either  $V_{\text{DD}}$  or 1.8 V. Be sure to apply the specified I<sup>2</sup>C bus voltage shown in the Available Options table for the specific device being used.

The I<sup>2</sup>C signals and the Interrupt are open-drain outputs and require pull-up resistors. The pull-up resistor ( $R_{\text{P}}$ ) value is a function of the I<sup>2</sup>C bus speed, the I<sup>2</sup>C bus voltage, and the capacitive load. The TAOS EVM running at 400 kbps, uses 1.5-k $\Omega$  resistors. A 10-k $\Omega$  pull-up resistor ( $R_{\text{PI}}$ ) can be used for the interrupt line.

**PCB Pad Layout**

Suggested land pattern based on the IPC-7351B Generic Requirements for Surface Mount Design and Land Pattern Standard (2010) for the small outline no-lead (SON) package is shown in Figure 12.



**TOP VIEW**

- NOTES: A. All linear dimensions are in millimeters.  
 B. This drawing is subject to change without notice.

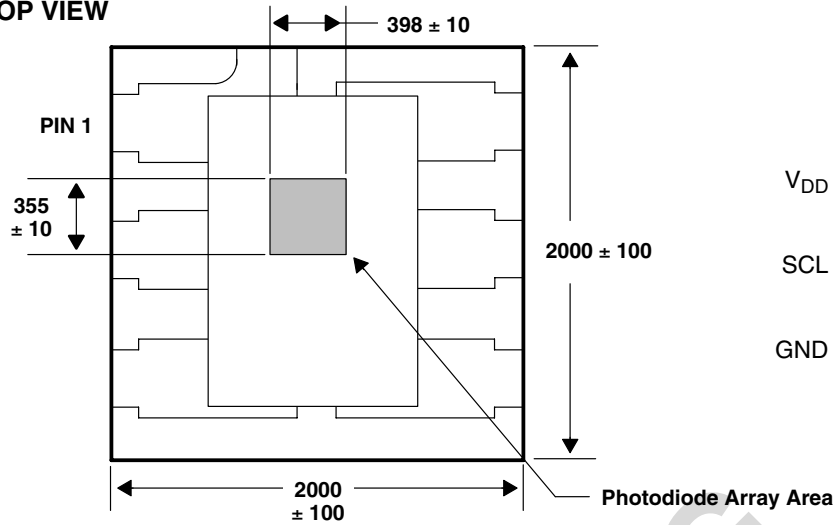
**Figure 12. Suggested FN Package PCB Layout**

PACKAGE INFORMATION

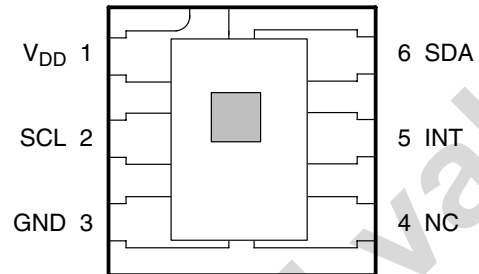
PACKAGE FN

Dual Flat No-Lead

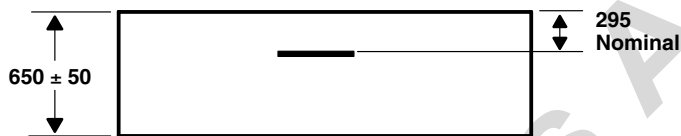
TOP VIEW



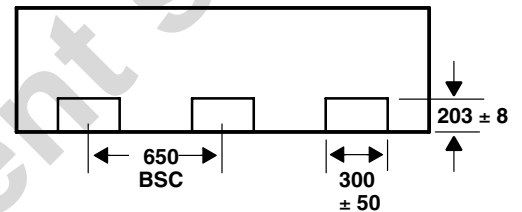
PIN OUT  
TOP VIEW



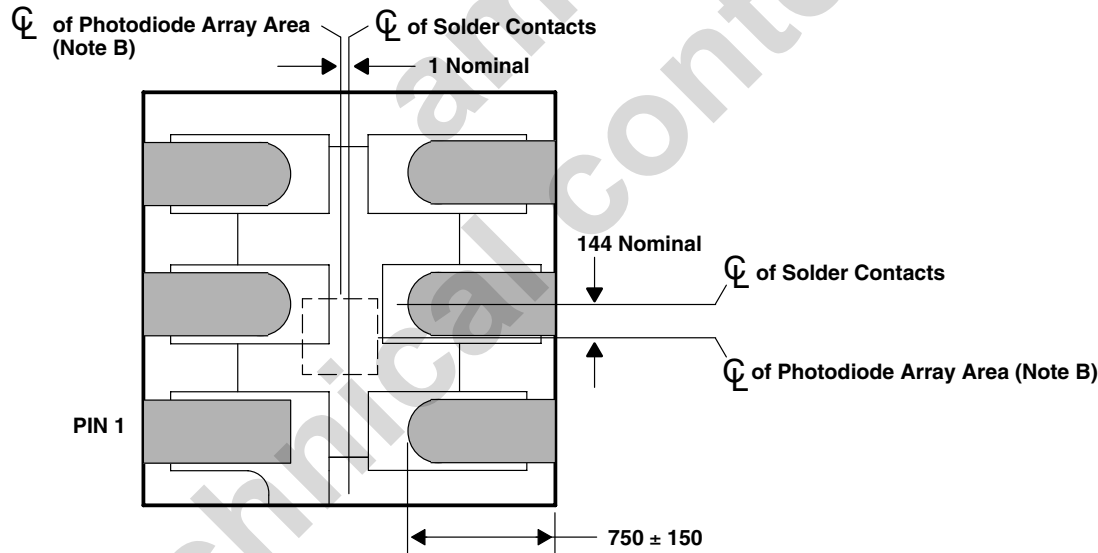
END VIEW



SIDE VIEW



BOTTOM VIEW



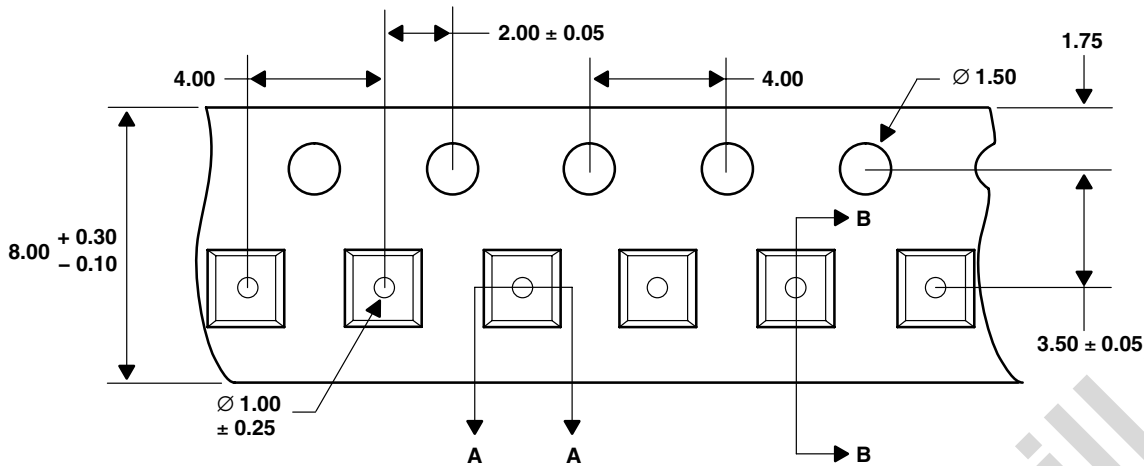
Lead Free

- NOTES: A. All linear dimensions are in micrometers.  
 B. The die is centered within the package within a tolerance of  $\pm 75 \mu\text{m}$ .  
 C. Package top surface is molded with an electrically nonconductive clear plastic compound having an index of refraction of 1.55.  
 D. Contact finish is copper alloy A194 with pre-plated NiPdAu lead finish.  
 E. This package contains no lead (Pb).  
 F. This drawing is subject to change without notice.

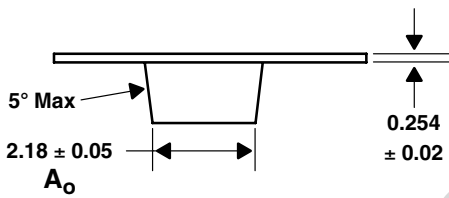
Figure 13. Package FN — Dual Flat No-Lead Packaging Configuration

**CARRIER TAPE AND REEL INFORMATION**

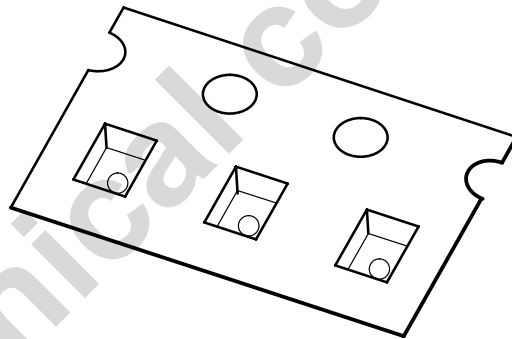
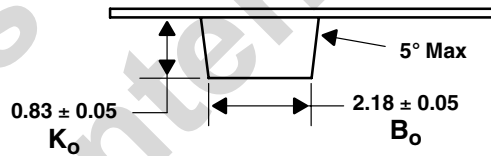
**TOP VIEW**



**DETAIL A**



**DETAIL B**



- NOTES: A. All linear dimensions are in millimeters. Dimension tolerance is  $\pm 0.10$  mm unless otherwise noted.  
 B. The dimensions on this drawing are for illustrative purposes only. Dimensions of an actual carrier may vary slightly.  
 C. Symbols on drawing  $A_o$ ,  $B_o$ , and  $K_o$  are defined in ANSI EIA Standard 481-B 2001.  
 D. Each reel is 178 millimeters in diameter and contains 3500 parts.  
 E. TAOS packaging tape and reel conform to the requirements of EIA Standard 481-B.  
 F. In accordance with EIA standard, device pin 1 is located next to the sprocket holes in the tape.  
 G. This drawing is subject to change without notice.

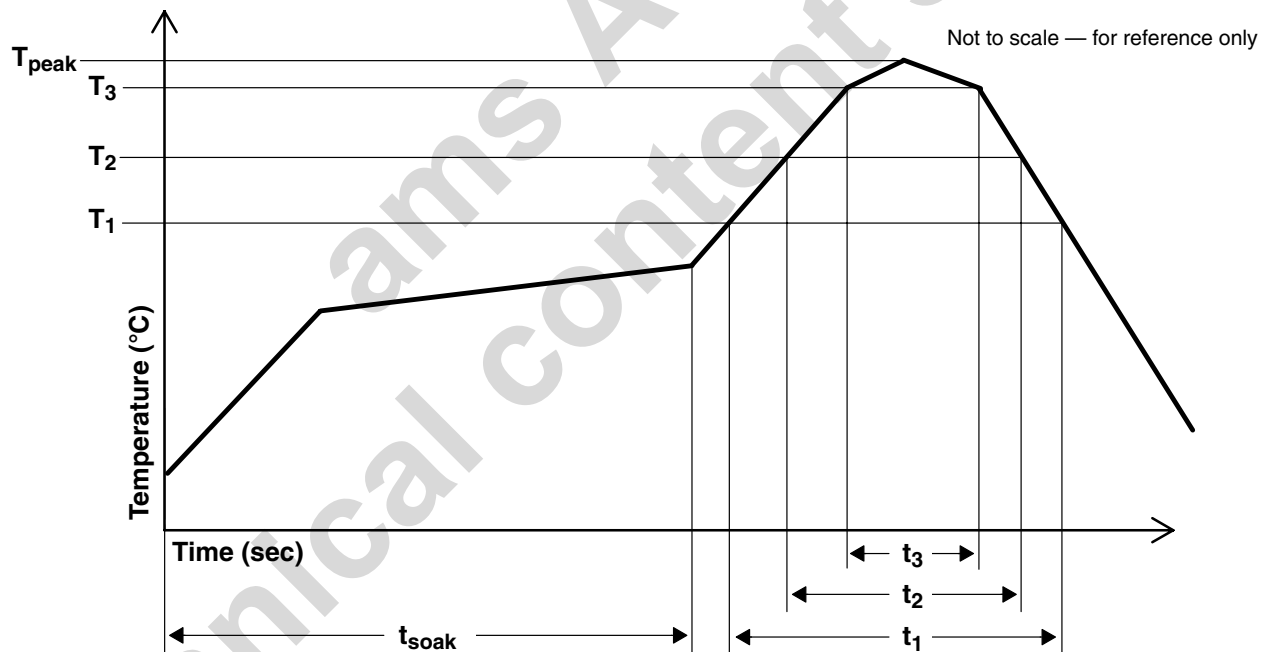
**Figure 14. Package FN Carrier Tape**

**SOLDERING INFORMATION**

The FN package has been tested and has demonstrated an ability to be reflow soldered to a PCB substrate. The solder reflow profile describes the expected maximum heat exposure of components during the solder reflow process of product on a PCB. Temperature is measured on top of component. The components should be limited to a maximum of three passes through this solder reflow profile.

**Table 13. Solder Reflow Profile**

| PARAMETER                                     | REFERENCE  | DEVICE         |
|---|------------|----------------|
| Average temperature gradient in preheating    |            | 2.5°C/sec      |
| Soak time                                     | $t_{soak}$ | 2 to 3 minutes |
| Time above 217°C (T1)                         | $t_1$      | Max 60 sec     |
| Time above 230°C (T2)                         | $t_2$      | Max 50 sec     |
| Time above $T_{peak} - 10^\circ\text{C}$ (T3) | $t_3$      | Max 10 sec     |
| Peak temperature in reflow                    | $T_{peak}$ | 260°C          |
| Temperature gradient in cooling               |            | Max -5°C/sec   |



**Figure 15. Solder Reflow Profile Graph**

# TSL2572 LIGHT-TO-DIGITAL CONVERTER

TAOS132 – MARCH 2012

## STORAGE INFORMATION

### Moisture Sensitivity

Optical characteristics of the device can be adversely affected during the soldering process by the release and vaporization of moisture that has been previously absorbed into the package. To ensure the package contains the smallest amount of absorbed moisture possible, each device is baked prior to being dry packed for shipping. Devices are dry packed in a sealed aluminized envelope called a moisture-barrier bag with silica gel to protect them from ambient moisture during shipping, handling, and storage before use.

### Shelf Life

The calculated shelf life of the device in an unopened moisture barrier bag is 12 months from the date code on the bag when stored under the following conditions:

Shelf Life: 12 months  
Ambient Temperature: < 40°C  
Relative Humidity: < 90%

Rebaking of the devices will be required if the devices exceed the 12 month shelf life or the Humidity Indicator Card shows that the devices were exposed to conditions beyond the allowable moisture region.

### Floor Life

The FN package has been assigned a moisture sensitivity level of MSL 3. As a result, the floor life of devices removed from the moisture barrier bag is 168 hours from the time the bag was opened, provided that the devices are stored under the following conditions:

Floor Life: 168 hours  
Ambient Temperature: < 30°C  
Relative Humidity: < 60%

If the floor life or the temperature/humidity conditions have been exceeded, the devices must be rebaked prior to solder reflow or dry packing.

### Rebaking Instructions

When the shelf life or floor life limits have been exceeded, rebake at 50°C for 12 hours.



**PRODUCTION DATA** — information in this document is current at publication date. Products conform to specifications in accordance with the terms of Texas Advanced Optoelectronic Solutions, Inc. standard warranty. Production processing does not necessarily include testing of all parameters.

### **LEAD-FREE (Pb-FREE) and GREEN STATEMENT**

**Pb-Free (RoHS)** TAOS' terms *Lead-Free* or *Pb-Free* mean semiconductor products that are compatible with the current RoHS requirements for all 6 substances, including the requirement that lead not exceed 0.1% by weight in homogeneous materials. Where designed to be soldered at high temperatures, TAOS Pb-Free products are suitable for use in specified lead-free processes.

**Green (RoHS & no Sb/Br)** TAOS defines *Green* to mean Pb-Free (RoHS compatible), and free of Bromine (Br) and Antimony (Sb) based flame retardants (Br or Sb do not exceed 0.1% by weight in homogeneous material).

**Important Information and Disclaimer** The information provided in this statement represents TAOS' knowledge and belief as of the date that it is provided. TAOS bases its knowledge and belief on information provided by third parties, and makes no representation or warranty as to the accuracy of such information. Efforts are underway to better integrate information from third parties. TAOS has taken and continues to take reasonable steps to provide representative and accurate information but may not have conducted destructive testing or chemical analysis on incoming materials and chemicals. TAOS and TAOS suppliers consider certain information to be proprietary, and thus CAS numbers and other limited information may not be available for release.

### **NOTICE**

Texas Advanced Optoelectronic Solutions, Inc. (TAOS) reserves the right to make changes to the products contained in this document to improve performance or for any other purpose, or to discontinue them without notice. Customers are advised to contact TAOS to obtain the latest product information before placing orders or designing TAOS products into systems.

TAOS assumes no responsibility for the use of any products or circuits described in this document or customer product design, conveys no license, either expressed or implied, under any patent or other right, and makes no representation that the circuits are free of patent infringement. TAOS further makes no claim as to the suitability of its products for any particular purpose, nor does TAOS assume any liability arising out of the use of any product or circuit, and specifically disclaims any and all liability, including without limitation consequential or incidental damages.

TEXAS ADVANCED OPTOELECTRONIC SOLUTIONS, INC. PRODUCTS ARE NOT DESIGNED OR INTENDED FOR USE IN CRITICAL APPLICATIONS IN WHICH THE FAILURE OR MALFUNCTION OF THE TAOS PRODUCT MAY RESULT IN PERSONAL INJURY OR DEATH. USE OF TAOS PRODUCTS IN LIFE SUPPORT SYSTEMS IS EXPRESSLY UNAUTHORIZED AND ANY SUCH USE BY A CUSTOMER IS COMPLETELY AT THE CUSTOMER'S RISK.

LUMENOLOGY, TAOS, the TAOS logo, and Texas Advanced Optoelectronic Solutions are registered trademarks of Texas Advanced Optoelectronic Solutions Incorporated.



**TSL2572**  
**LIGHT-TO-DIGITAL CONVERTER**

TAOS132 – MARCH 2012

---

ams AG  
Technical content still valid