

Customer Information Sheet

DRAWING No.: M90-704XX45

SHEET 2 OF 2

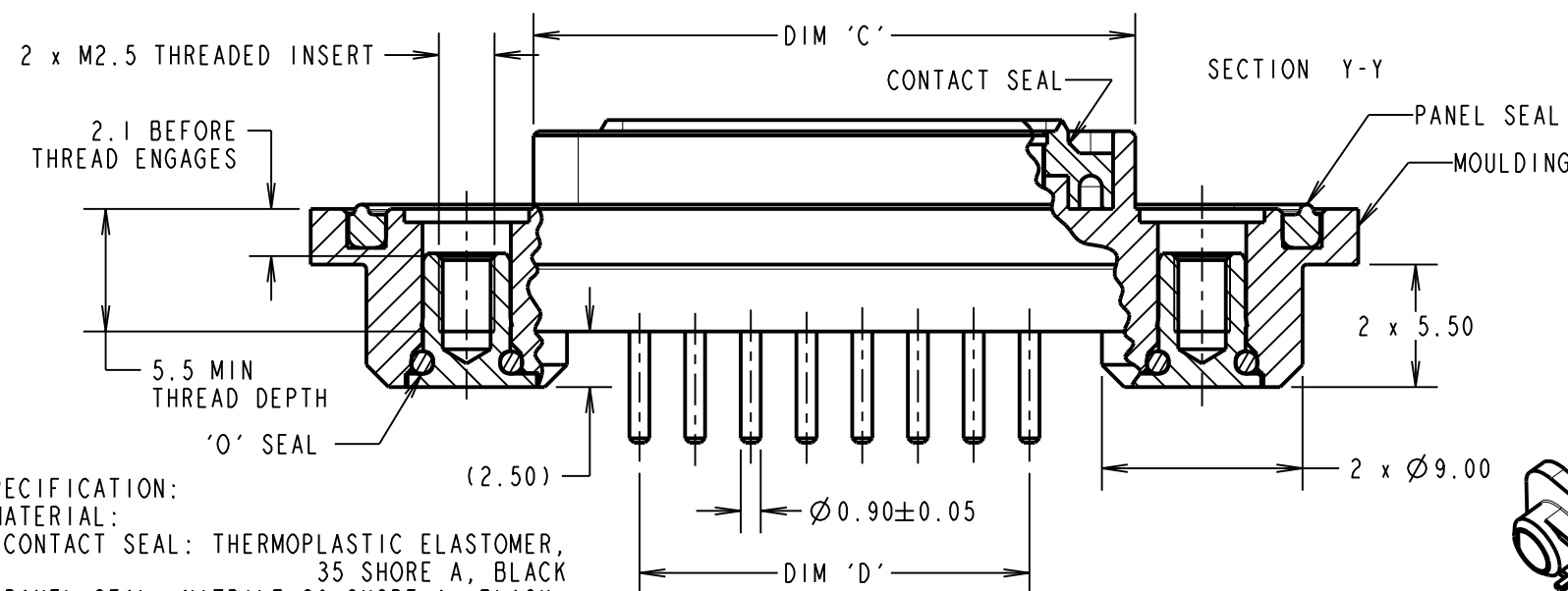
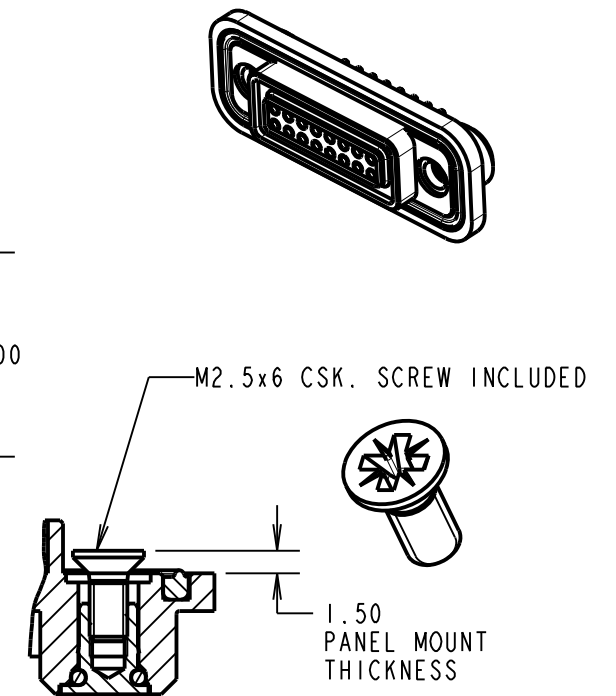
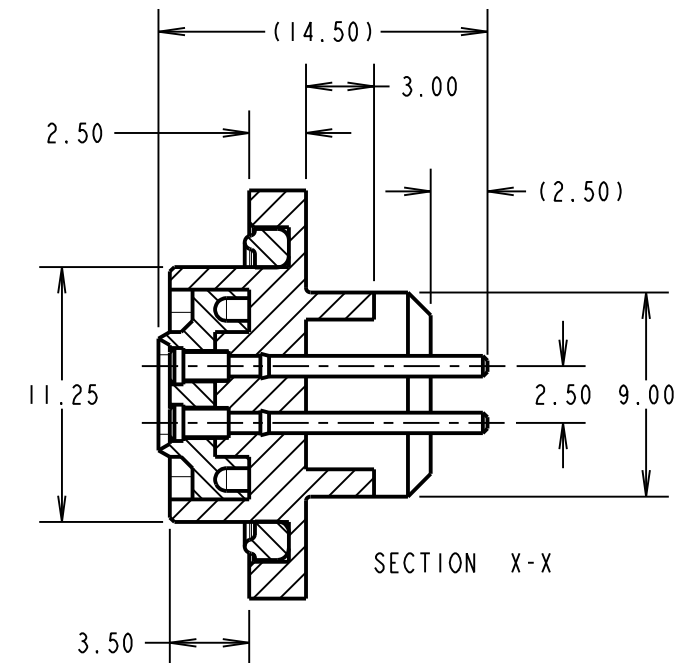
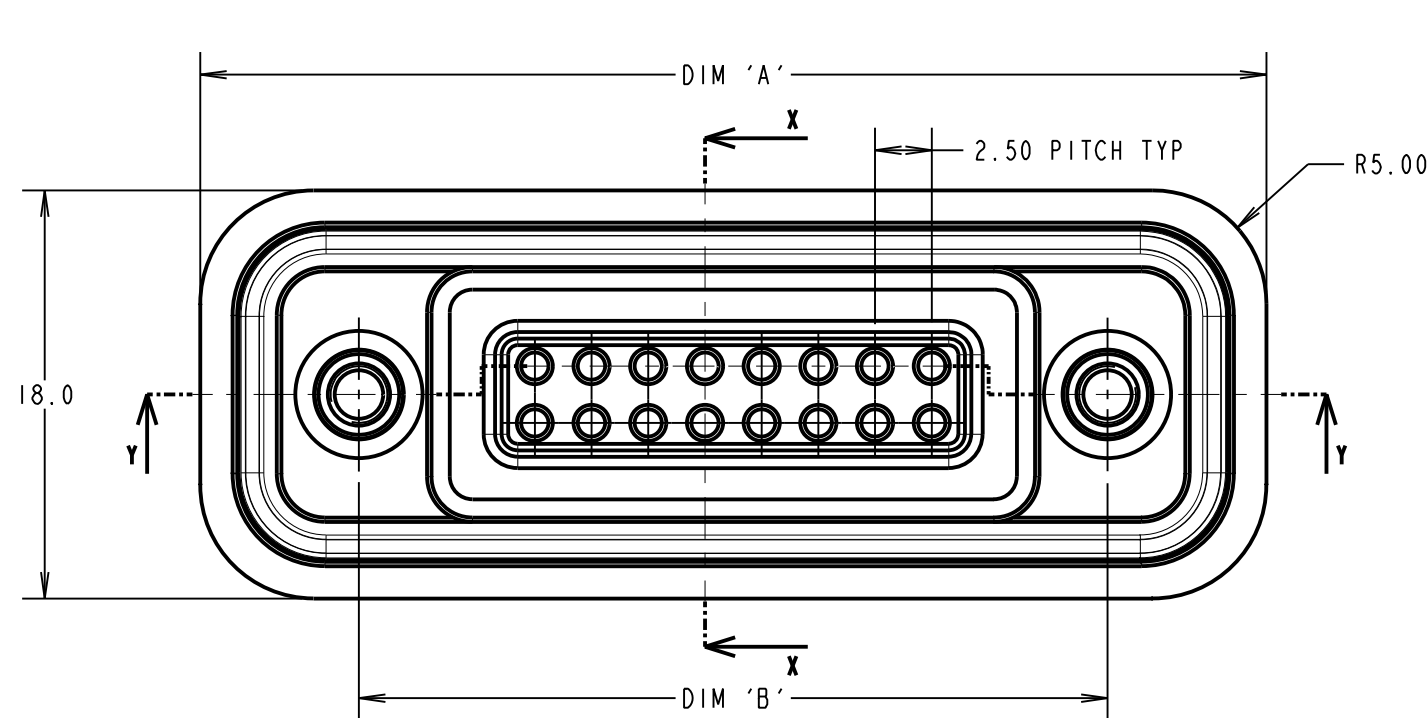
IF IN DOUBT - ASK

©

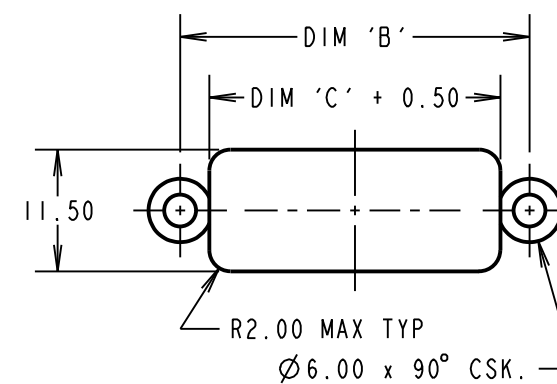
NOT TO SCALE

THIRD ANGLE PROJECTION

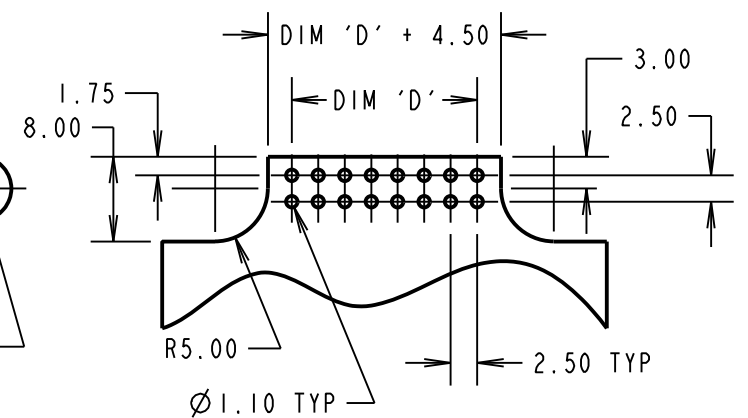
ALL DIMENSIONS IN mm



RECOMMENDED PANEL CUT-OUT

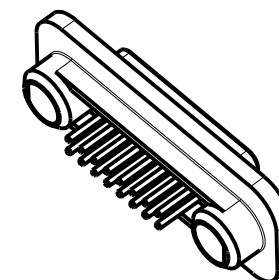


RECOMMENDED PCB LAYOUT



SPECIFICATION:
MATERIAL:
 CONTACT SEAL: THERMOPLASTIC ELASTOMER, 35 SHORE A, BLACK
 PANEL SEAL: NITRILE 30 SHORE A, BLACK
 O-SEAL: NITRILE 60/70 SHORE A, BLACK
 MOULDING: 30% GLASS FILLED POLYAMIDE 46, UL94V-0, BLACK
 CONTACT: BRASS
 THREADED INSERT AND SCREW: STAINLESS STEEL
FINISH:
 CONTACT: GOLD OVER NICKEL
ELECTRICAL:
 CONTACT RATING: 1A
 WORKING VOLTAGE: 240V DC
 CONTACT RESISTANCE: 10 MILLIOHMS
 INSULATION RESISTANCE: 1000 MEGOHMS MIN AT 500V DC
ENVIRONMENTAL:
 OPERATING TEMPERATURE: -40°C - +100°C
 ENVIRONMENTAL SEAL: IP68 AT 1.5M FOR 2 HOURS

- NOTES:**
- DRAWING SHOWS 16-WAY CONNECTOR.
 - RECOMMENDED BULKHEAD MOUNTING THICKNESS: 1.50mm.
 - RECOMMENDED MOUNTING SCREWS: M2.5 x 6 CSK
 - WHEN FULLY MATED WITH SPRING CONNECTOR, MOUNTING FLANGES WILL HAVE A GAP OF 3.5mm ±0.10mm TO ALLOW FOR PANEL THICKNESS.



PART No.	No. OF WAYS	DIMENSION			
		A	B	C	D
M90-7040845	8 WAY	37.0	23.00	17.00	7.50
M90-7041245	12 WAY	42.0	28.00	22.00	12.50
M90-7041645	16 WAY	47.0	33.00	27.00	17.50

MGP	1	26.10.11	11518
NAME	ISS.	DATE	C/NOTE
APPROVED: MGP			
CHECKED: SB			
DRAWN: MARK G PLESTED			
CUSTOMER REF.:			
ASSEMBLY DRG:			

HARWIN

www.harwin.com
 technical@harwin.com

THIS DRAWING AND ANY INFORMATION OR DESCRIPTIVE MATTER SET OUT HEREON ARE CONFIDENTIAL AND COPYRIGHT PROPERTY OF THE HARWIN GROUP AND MUST NOT BE DISCLOSED, LOANED, COPIED OR USED FOR MANUFACTURING, TENDERING OR FOR ANY OTHER PURPOSE WITHOUT THEIR WRITTEN PERMISSION.

TOLERANCES
 X. = ±1mm
 X.X = ±0.25mm
 X.XX = ±0.10mm
 X.XXX = ±0.01mm
 ANGLES = ±5°
 UNLESS STATED

MATERIAL:
 SEE SPECIFICATION
FINISH:
S/AREA: mm²

TITLE:
 FIXED CONTACT ASSEMBLY

DRAWING NUMBER:
 M90-704XX45

SHT
 2 OF 2