

PLEASE CHECK WWW.MOLEX.COM FOR LATEST PART INFORMATION

Part Number: [1051271001](#)
Status: **Active**
Overview: [esatausb_combo_receptacles](#)
Description: Combo External Serial ATA and USB Receptacles, Right Angle, Through hole, Bottom mount, Sink type, with Stand-off, Lead free

Documents:

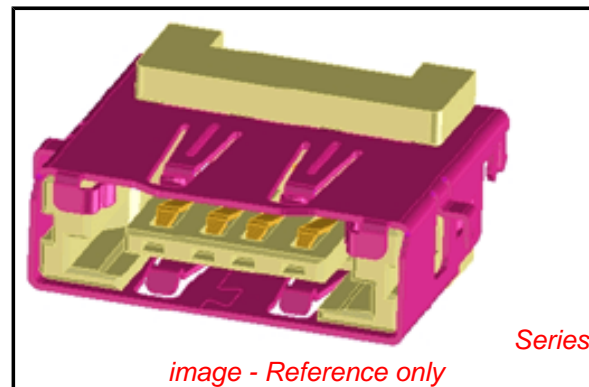
[Drawing \(PDF\)](#) [RoHS Certificate of Compliance \(PDF\)](#)
[Product Specification PS-47403-001 \(PDF\)](#)

General

| | |
|----------------|---|
| Product Family | I/O Connectors |
| Series | 105127 |
| Application | Wire-to-Board |
| Comments | With Stand-off, reverse mounted on recessed PCB . Durability: 1,500 cycles for USB; 2,500 cycles for eSATA |
| Component Type | Receptacle |
| Overview | esatausb_combo_receptacles |
| Product Name | eSATA/USB Combo, External Serial ATA, USB |
| Type | N/A |

Physical

| | |
|--------------------------------|------------------------------------|
| Circuits (Loaded) | 4, 7 |
| Circuits Detail | eSATA: 7 circuits; USB: 4 circuits |
| Color - Resin | Black |
| Durability (mating cycles max) | 1,500 |
| Gender | Male |
| Keying to Mating Part | Yes |
| Lock to Mating Part | Yes |
| Material - Metal | Copper Alloy |
| Material - Plating Mating | Gold |
| Material - Plating Termination | Tin |
| Material - Resin | High Temperature Thermoplastic |
| Number of Rows | 2 |
| Orientation | Right Angle |
| PCB Locator | No |
| PCB Retention | Yes |
| PCB Thickness Recommended (in) | 0.047 In |
| PCB Thickness Recommended (mm) | 1.20 mm |
| Packaging Type | Embossed Tape on Reel |
| Panel Mount | Yes |
| Pitch - Mating Interface (in) | 0.050 In, 0.079 In, 0.098 In |
| Pitch - Mating Interface (mm) | 1.27 mm, 2.00 mm, 2.50 mm |
| Pitch - Term. Interface (in) | 0.050 In, 0.079 In, 0.098 In |
| Pitch - Term. Interface (mm) | 1.27 mm, 2.00 mm, 2.50 mm |
| Plating min: Mating (µin) | 15 |
| Plating min: Mating (µm) | 0.38 |
| Plating min: Termination (µin) | 80 |
| Plating min: Termination (µm) | 2 |
| Polarized to Mating Part | Yes |
| Polarized to PCB | Yes |
| Ports | 1 |
| Temperature Range - Operating | -35°C to +85°C |
| Termination Interface: Style | Through Hole |



EU RoHS

**ELV and RoHS
Compliant**
**REACH SVHC
Not Reviewed**
**Halogen-Free
Status**

China RoHS



**Need more information on product
environmental compliance?**

Email productcompliance@molex.com
 For a multiple part number RoHS Certificate of Compliance, [click here](#)

Please visit the [Contact Us](#) section for any non-product compliance questions.

Search Parts in this Series

[105127Series](#)

Mates With

External Serial ATA Cable Assembly or USB Type A Cable Assembly

Electrical

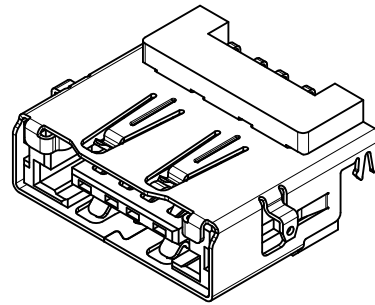
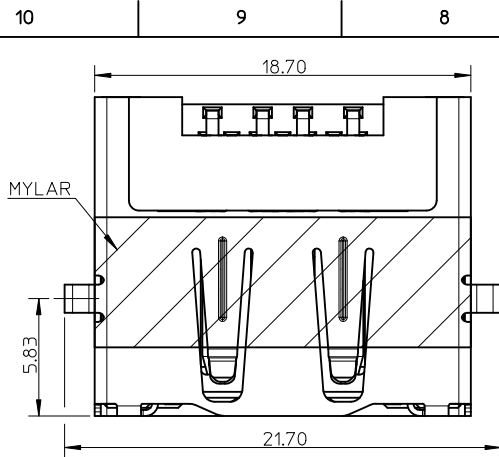
| | |
|-------------------------------|-------------|
| Current - Maximum per Contact | 1.5A |
| Grounding to Panel | Yes |
| Shield Type | Full Shield |
| Shielded | Yes |
| Voltage - Maximum | 15V DC |

Material Info**Reference - Drawing Numbers**

| | |
|-------------------------|---------------|
| Packaging Specification | PK-105127-001 |
| Product Specification | PS-47403-001 |
| Sales Drawing | SD-105127-100 |

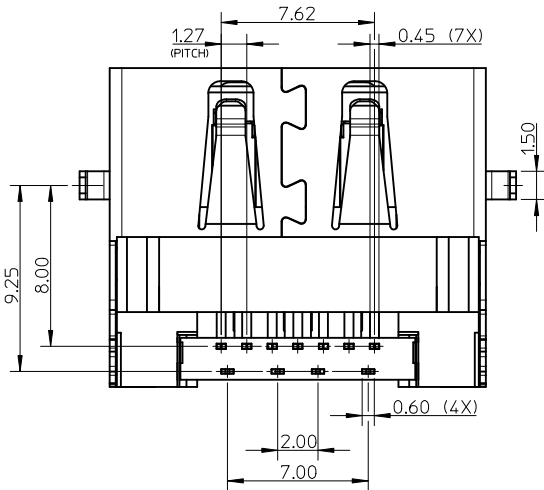
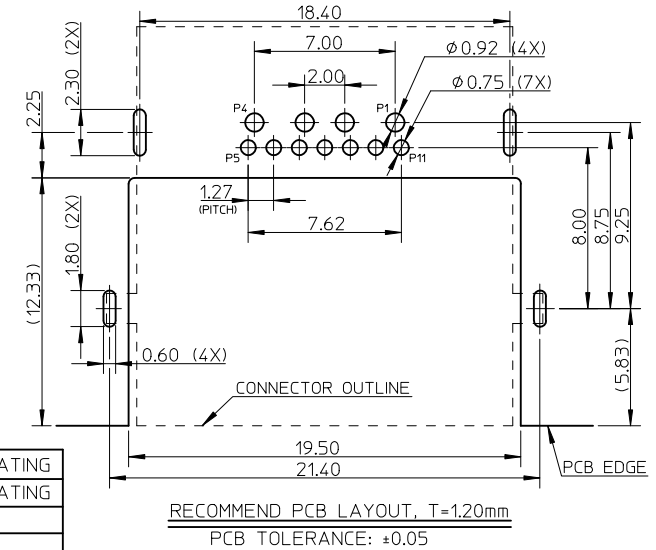
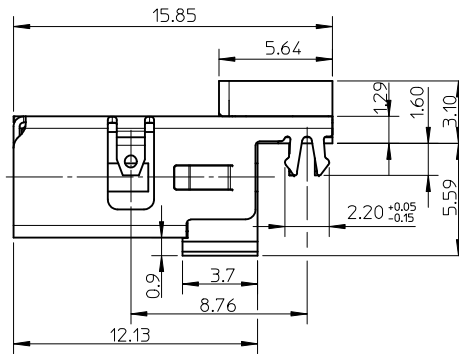
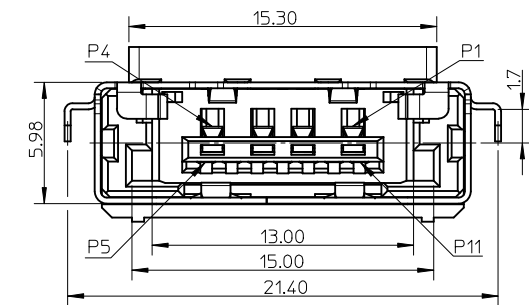
This document was generated on 05/31/2010

PLEASE CHECK WWW.MOLEX.COM FOR LATEST PART INFORMATION



NOTES:

- MATERIAL:
 - HOUSING: HIGH TEMPERATURE THERMOPLASTIC, 30% GLASS FILLED, BLACK, UL94V-0.
 - TAIL GUIDER: HIGH TEMPERATURE THERMOPLASTIC, 30% GLASS FILLED, BLACK, UL94V-0.
 - TERMINAL-1: COPPER ALLOY.
 - TERMINAL-2: COPPER ALLOY.
 - METAL SHELL: METAL.
- TERMINAL PLATING:
 - CONTACT AREA: GOLD PLATING. DETAIL SEE TABLE;
 - SOLDER AREA: 2.0 MICROMETRE MINIMUM TIN PLATING;
 - UNDER PLATING: 1.27 MICROMETRE MINIMUM NICKEL PLATING.
- METAL SHELL PLATING: SOLDERABLE NICKEL PLATING.
- PRODUCT SPECIFICATION: PS-47403-001.
- PACKAGE SPECIFICATION: PK-105127-001.
- PRODUCT COMPLIANT TO RoHS DIRECTIVE 2002/95/EC AND ELV DIRECTIVE 2000/53/EC.



PIN ASSIGNMENT

| USB | | ESATA | |
|------|------|-------|------|
| NAME | TYPE | NAME | TYPE |
| P1 | VBUS | P5 | GND |
| P2 | D- | P6 | A+ |
| P3 | D+ | P7 | A- |
| P4 | GND | P8 | GND |
| | | P9 | B- |
| | | P10 | B+ |
| | | P11 | GND |

| 105127-1002 | 0.76 MICROMETRE MIN. GOLD PLATING |
|-------------|-----------------------------------|
| 105127-1001 | 0.38 MICROMETRE MIN. GOLD PLATING |
| 105127-1000 | GOLD FLASH |
| P/N | CONTACT AREA PLATING |

| | | | |
|---|-------------|------------|------------|
| NEW RELEASE EC NO: SH2010-0328 DRWN:XOZHANG CHKD:GLLI APPR:XJSONG | 2/2/10 | 2010/02/04 | 2010/03/05 |
| | DESCRIPTION | | |
| | REV | | |
| | A | | |

| QUALITY SYMBOLS | GENERAL TOLERANCES (UNLESS SPECIFIED) | |
|--|---------------------------------------|-------|
| | mm | INCH |
| $\nabla = 0$ | 4 PLACES ± --- | ± --- |
| $\nabla = 0$ | 3 PLACES ± --- | ± --- |
| $\nabla = 0$ | 2 PLACES ± 0.25 | ± --- |
| $\nabla = 0$ | 1 PLACE ± 0.25 | ± --- |
| | ANGULAR ± 3° | |
| DRAFT WHERE APPLICABLE MUST REMAIN WITHIN DIMENSIONS | | |

| DIMENSION STYLE | | SCALE | DESIGN UNITS | THIRD ANGLE PROJECTION |
|-----------------|---|-------------------------------|--------------|------------------------|
| MM ONLY | | 4:1 | METRIC | |
| DRAWN BY | DATE | TITLE | | |
| XOZHANG | 2009/08/17 | COMBO ESATA AND USB CONNECTOR | | |
| CHECKED BY | DATE | BOTTOM MOUNT / SINK TYPE | | |
| XJSONG | 2009/08/17 | MOLEX INCORPORATED | | |
| APPROVED BY | DATE | MATERIAL NO. | | |
| XJSONG | 2010/02/23 | DOCUMENT NO. | | |
| SEE TABLE | | SD-105127-100 | | |
| SIZE | THIS DRAWING CONTAINS INFORMATION THAT IS PROPRIETARY TO MOLEX INCORPORATED AND SHOULD NOT BE USED WITHOUT WRITTEN PERMISSION | | | |
| A3 | | | | |

| | |
|-----------|--|
| SHEET NO. | |
| 1 OF 1 | |