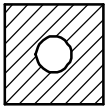
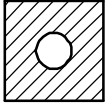
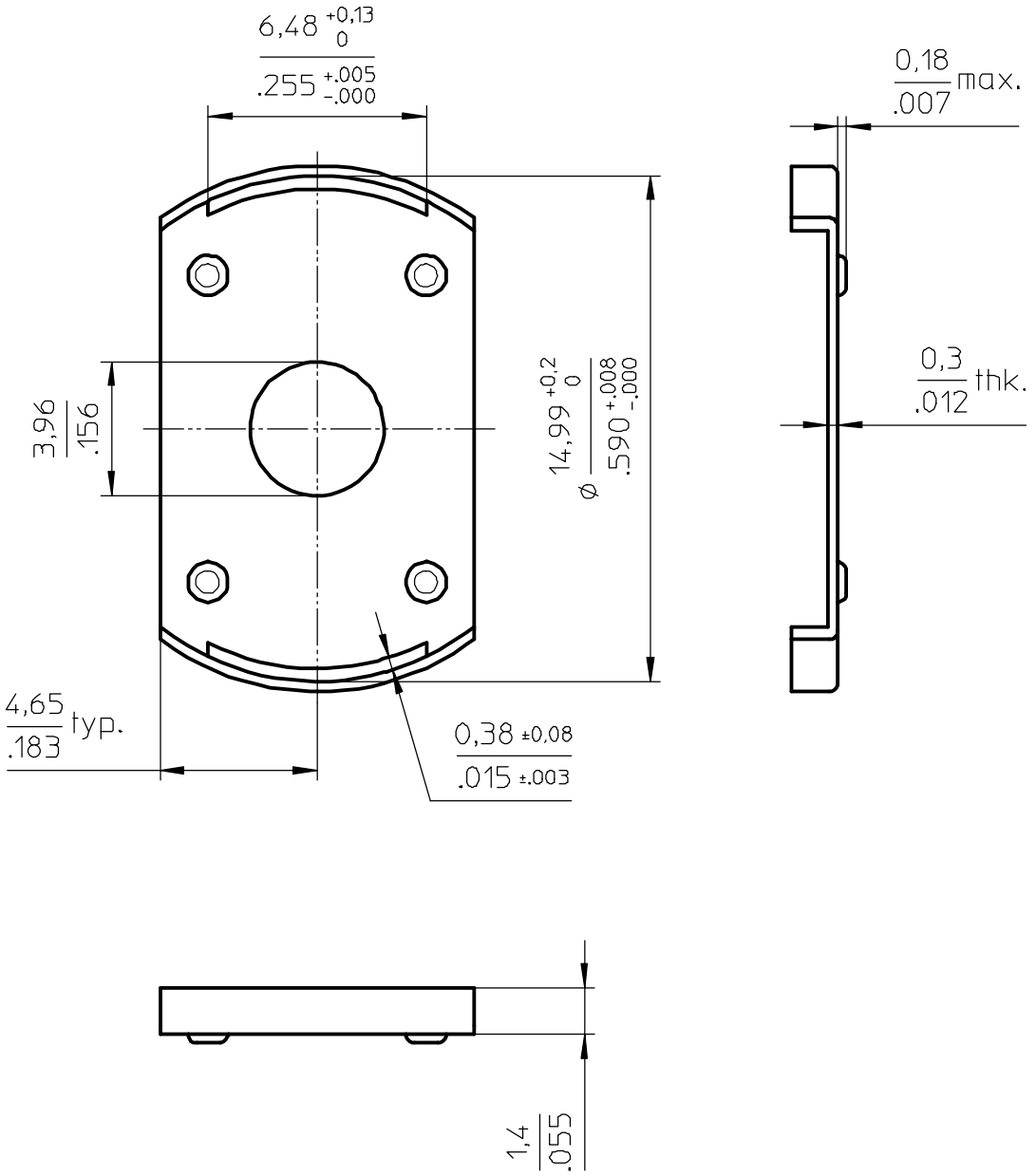


FERROXCUBE



1 2 3 4



Material: Brass, 1/2 hard, Zn plated (0.0002") suppl. chromate treatment.

CLASSNO.		BPL/D-CLM/C-P14/8		4335 000 45081		01-06-01
						02-11-25
NAME NAAM	Tjon	SUPERS. VERV	001	SH BL	SH BL	112 - 01
MPA	CHECK CONTR.	DAT.	Property of Eigendom van		© FERROXCUBE 2000	
						A4