

GT-USB-2042-CGG1

G-Switch
USB系列

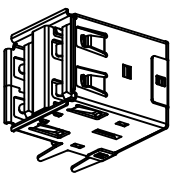
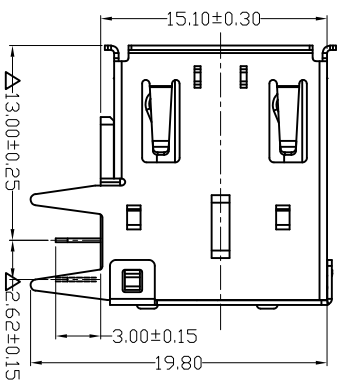
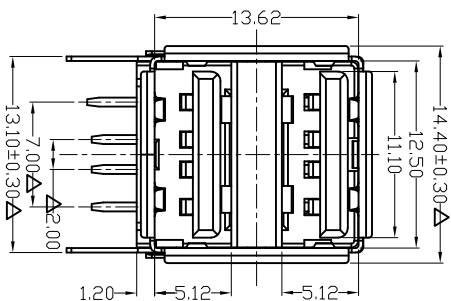
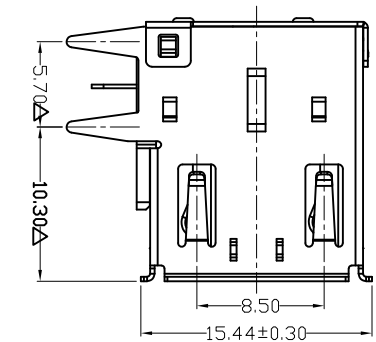
系列编码

- G1=1U
- G3=3U
- G5=5U
- G15=15U
- G30=30U
- S=不锈钢
- I=铁壳
- C=铜壳

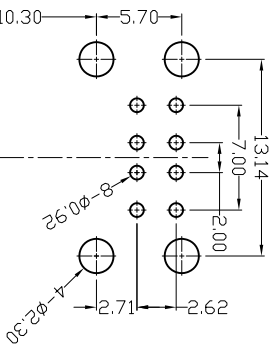
- G=绿色 (PB1)
- B=黑色 (PB1)
- N=其它

G-SWITCH NOTES:

1. MATERIAL SPECIFICATION:
 - 1) INSULATION MATERIAL: THERMOPLASTIC.
 - 2) SHELL: COPPER ALLOY & SPCC-SD
 - 3) TERMINAL: COPPER ALLOY
2. ELECTRICAL CHARACTERISTICS:
 - 1) INSULATION RESISTANCE: 1000MΩ MIN;
 - 2) CONTACT RESISTANCE: 30mΩ MAX;
 - 3) WITHSTANDING VOLTAGE: 500V AC;
3. MECHANICAL CHARACTERISTICS:
 - 1) INSERTION FORCE: 3.57Kgf Max;
 - 2) EXTRACTON FORCE: 1.02Kgf Min.
 - 3) DURABILITY: 3000 MATING CYCLES MIN
4. ENVIRONMENT CHARACTERISTICS:
 - 1) Operating temperature: -0°C to +50°C
 - 2) Storage temperature: -20°C to +60°C



△有此标注为重点管控尺寸



RECOMMEND P. C. B. LAYOUT



ROHS
Compliant
2002/95/EC



G-Switch Electronic (KongHong) CO., Ltd.

Unless otherwise specified, Tolerance:
X ±0.30
X.X ±0.20
X.XX ±0.15
X.XXX ±0.10
Angles ±3

DESIGN	陈锋刚	DATE	2016.05.29
CHECKED		DATE	
APPROVED		DATE	
http://www.dg-switch.com		REV:	X1
TEL: 0769-82388879		SCALE:	4:1
		SIZE:	A4
		SHEET:	1/1

GT-USB-2042-CGG1

UNIT: mm

A

B

C

D

E

5

4

3

2

1

5

4

3

2

1