

# 48-WAY SEALED STACKABLE MINI® POWER DISTRIBUTION CENTER

**RoHS**



## Specifications

Output terminal rating: 2.8mm blade terminals(30A max per terminal)  
 Temperature rating: -40°C to 125°C  
 Materials: Housing and cover-thermoplastic; seal-silicone

### Features:

- High component density based around the Delphi Packard Metri-Pack\* 280 series terminal
- PDM's interlock to allow for component "add-ons" and system growth
- Made of "rugged" thermoplastic
- Designed to withstand harsh environments-IP66/67
- Optional TPA's(terminal positions assurance) available
- Custom Labels are available
- Diode Key Available

## Description

The 48 Way MINI® Power distribution Center provides a compact, durable and sealed power distribution solution for the transportation OEM market. Ideal for use in either "distributed" main power or "auxiliary" power distribution applications.

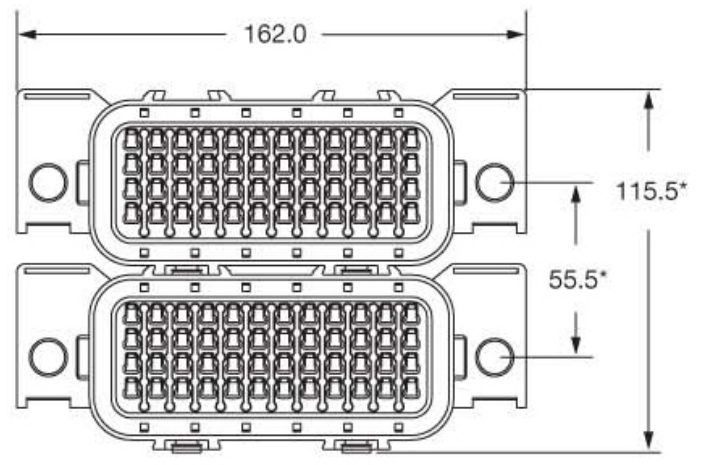
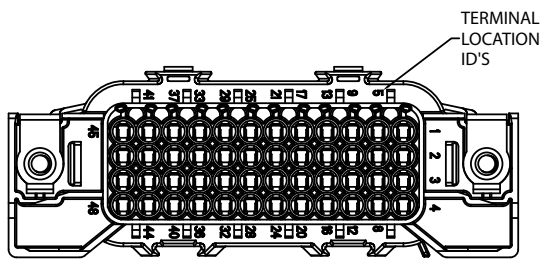
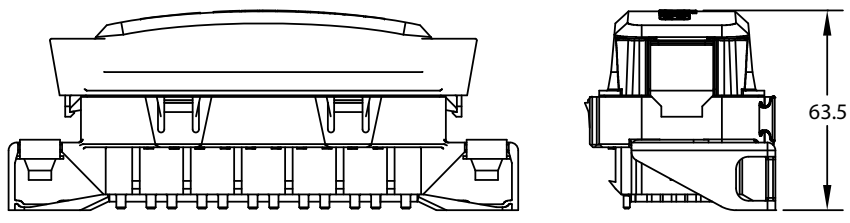
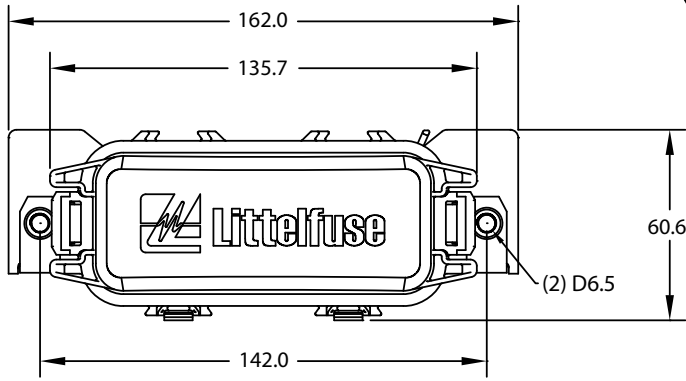
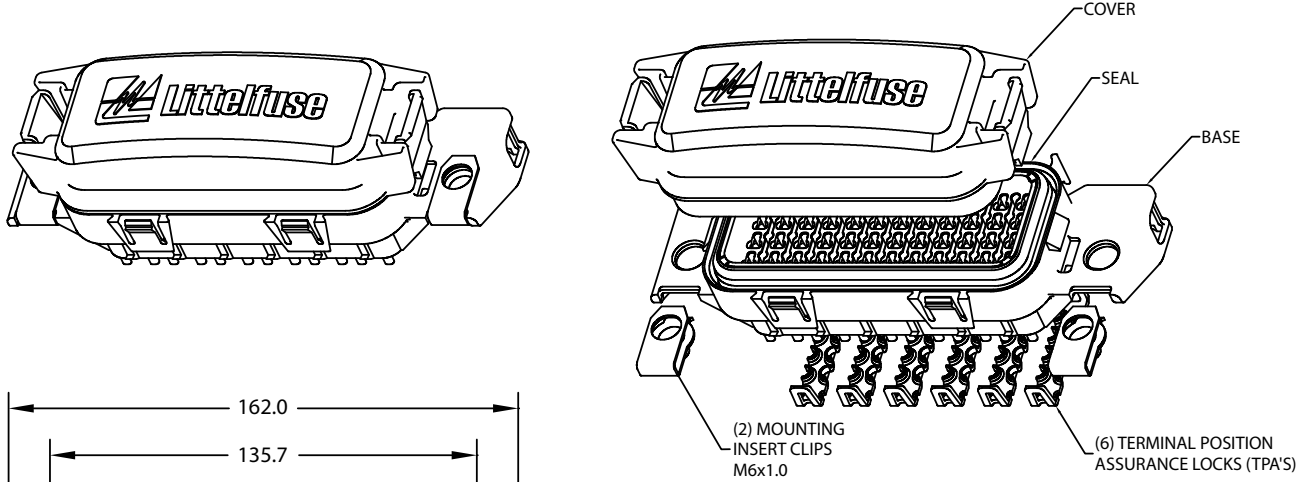
## Ratings

Part Number	Description
PDM11001HXM	PDM Module Assembly (includes cover, base, seal, 2 mounting clips, and 6 TPAs)
868-161	PDM Base Only
873-030	PDM Cover Only
901-314	PDM Seal Only
883-080	PDM TPA (1pc)
883-082	PDM Mounting Clip (1pc)

**48-WAY SEALED STACKABLE MINI® POWER DISTRIBUTION CENTER**

RoHS

**Part number PDM11001HXM**



\*For each module added these dimensions will increase by 55.5mm