

PLEASE CHECK WWW.MOLEX.COM FOR LATEST PART INFORMATION

Part Number: [0473370005](#)
Status: **Active**
Description: Cover for Mobile Phone Camera Socket, 8.5x8.5, Top Mount, Stainless Steel, Lead free

Documents:

[3D Model](#) [RoHS Certificate of Compliance \(PDF\)](#)
[Drawing \(PDF\)](#)

General

Product Family	Other Sockets
Series	47337
Component Type	Cover
Product Name	Camera Socket Cover

Physical

Circuits (Loaded)	0
Circuits (maximum)	0
Durability (mating cycles max)	Contact Molex
Entry Angle	Bottom Entry
Keying to Mating Part	N/A
Material - Metal	Stainless Steel
Material - Plating Mating	Unplated
Material - Plating Termination	Unplated
PCB Locator	No
PCB Retention	N/A
Packaging Type	Tray
Pitch - Mating Interface (in)	0.000 In
Pitch - Mating Interface (mm)	0.00 mm
Pitch - Term. Interface (in)	0.000 In
Pitch - Term. Interface (mm)	0.00 mm

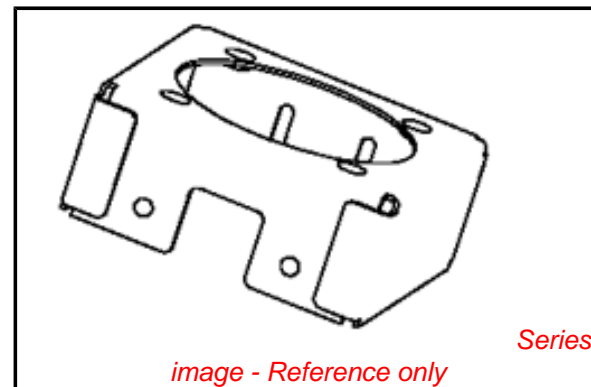
Electrical

Current - Maximum per Contact	N/A
Voltage - Maximum	N/A

Material Info

Reference - Drawing Numbers

Sales Drawing	SD-47337-002
---------------	--------------



EU RoHS

ELV and RoHS Compliant
REACH SVHC
Contains SVHC: No
Halogen-Free
Status

China RoHS



Need more information on product environmental compliance?

Email productcompliance@molex.com
 For a multiple part number RoHS Certificate of Compliance, [click here](#)

Please visit the [Contact Us](#) section for any non-product compliance questions.

Search Parts in this Series

[47337Series](#)

Use With

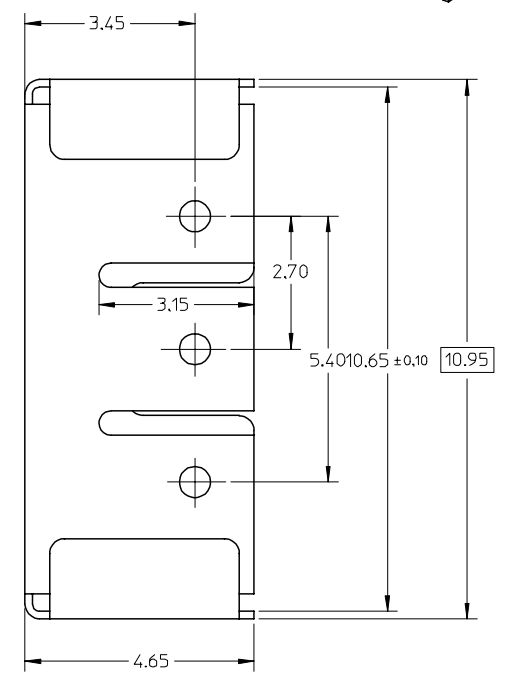
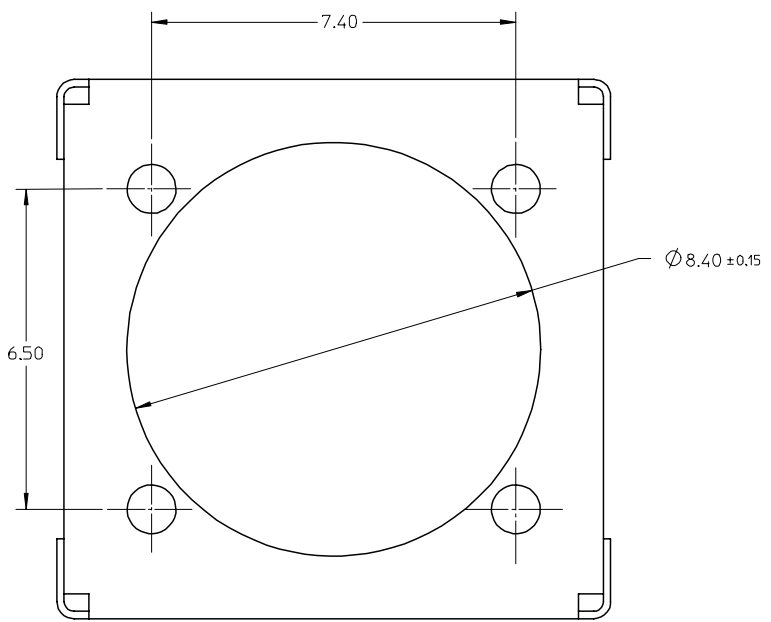
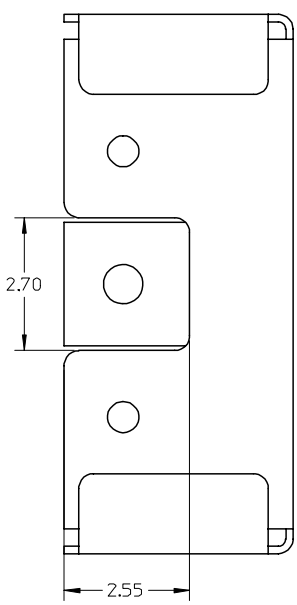
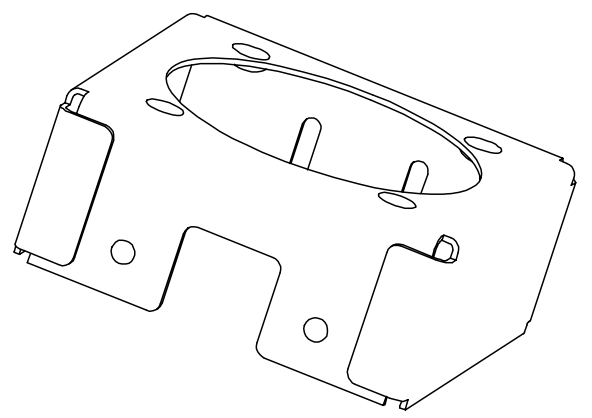
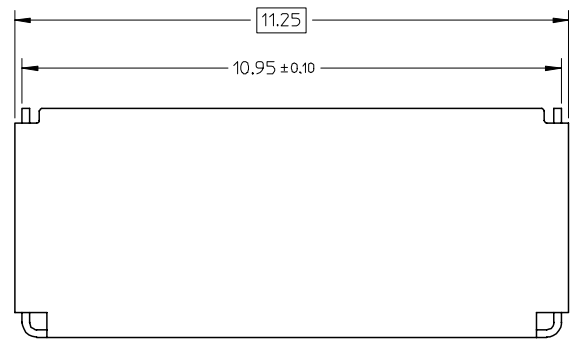
[47337-0001](#) Camera Socket

PLEASE CHECK WWW.MOLEX.COM FOR LATEST PART INFORMATION

10 9 8 7 6 5 4 3 2 1

F
E
D
C
B
A

F
E
D
C
B
A



Notes:
1.MATERIALS:STAINLESS STEEL.
2.FINISH:NONPLATED.

RELEASE	2007/03/01
EC NO: SH2007-0619	2007/03/06
DRWN: IHE	2007/03/06
CHKD: XIXU	
APPR: JNCHEN	2007/03/06

QUALITY SYMBOLS	DESCRIPTION
▽=0	
∇=0	

GENERAL TOLERANCES (UNLESS SPECIFIED)	
	MM ONLY
4 PLACES	± 0.10
3 PLACES	± 0.15
2 PLACES	± 0.25
1 PLACE	± 0.25
ANGULAR ± 1 °	
DRAFT WHERE APPLICABLE MUST REMAIN WITHIN DIMENSIONS	

DIMENSION STYLE	
MM ONLY	
DRAWN BY	DATE
IVAN HE	2006/06/16
CHECKED BY	DATE
XIXU	2006/06/16
APPROVED BY	DATE
JENNY CHEN	2006/06/16
MATERIAL NO.	
473370005	

SCALE	DESIGN UNITS	THIRD ANGLE PROJECTION
10:1	METRIC	
TITLE		
TOP COVER FOR CAMERA SOCKET 8.5*8.5 TOP MOUNT		
MOLEX INCORPORATED		
DOCUMENT NO.	SHEET NO.	
SD-47337-002	1 OF 1	
THIS DRAWING CONTAINS INFORMATION THAT IS PROPRIETARY TO MOLEX INCORPORATED AND SHOULD NOT BE USED WITHOUT WRITTEN PERMISSION		

9 8 7 6 5 4 3 2 1