

Product Summary

Intended Use

- Most Flexible High-Performance PCI Offering
 - Target, Master, and Master/Target, which includes Target+DMA and Target+Master functions
 - 33 MHz or 66 MHz Performance
 - 32-Bit or 64-Bit PCI Bus Widths
 - Memory, I/O, and Configuration Support
- Backend Support for Synchronous DRAM, SRAM, and I/O Subsystems

Key Features

- Two User-Configurable Base Address Registers for Target Functions
- Interrupt Capability
- Built-in DMA Controller in all Master Functions
- Flexible Backend Data Flow Control
- Hot-Swap Extended Capabilities Support for Compact PCI

Data Transfer Rates

- Fully Compliant Zero-Wait-State Burst (32-Bit or 64-Bit Transfer Each Cycle)
- Optional Paced Burst (Wait States Inserted Between Transfers)

Supported Families

- ProASIC3/E
- ProASIC^{PLUS} 1
- Accelerator
- RTAX-S
- SX
- SX-A
- RTSX-S¹

Design Source Provided

- VHDL and Verilog-HDL Design Source
- Actel-Developed Testbench

Synthesis and Simulation Support

- Synthesis: Exemplar[™], Synopsys[®] DC / FPGA Compiler[™], and Synplicity[®]
- Simulation: Vital-Compliant VHDL Simulators and OVI- Compliant Verilog Simulators

Macro Verification and Compliance

- Actel-Developed Testbench
- Hardware Tested
- I/O Drive Compliant in Targeted Devices
- Compliant with the PCI 2.3 Specification

Version

This datasheet defines the functionality of Version 5.41 for CorePCI.

Contents

General Description	2
CorePCI Device Requirements	3
Utilization Statistics	5
CorePCI IP Functional Block Diagram	6
Data Transactions	6
I/O Signal Descriptions	6
CorePCI Target Function	12
CorePCI Master Function	17
Master Register Access	19
System Timing	22
PCI Target Transactions	22
PCI Master Transactions	35
Backend Control of DMA Activity	38
Ordering Information	40
List of Changes	41
Datasheet Categories	41

General Description

CorePCI connects I/O, memory, and processor subsystem resources to the main system via the PCI bus. CorePCI is intended for use with a wide variety of peripherals where high-performance data transactions are required. Figure 1 on page 2 depicts typical system applications using the baseline IP core. While CorePCI can handle any transfer rate, most applications will operate at zero wait states. When required, wait states can automatically be inserted by a slower peripheral.

The core consists of up to four basic units: the Target controller, the Master controller, the backend, and the

wrapper. Both the Target and Master controllers remain constant for a variety of backends. A backend controller provides the necessary control for the I/O or memory subsystem and interfaces to the Target controller through a generic interface. The wrapper combines the Target and Master blocks with the backend for implementation in a single Actel device.

CorePCI can be customized in two different ways. First, a variety of variables are provided to easily change parameters such as memory and I/O sizes. The second method is to develop user-specific backend controllers for non-standard peripherals.

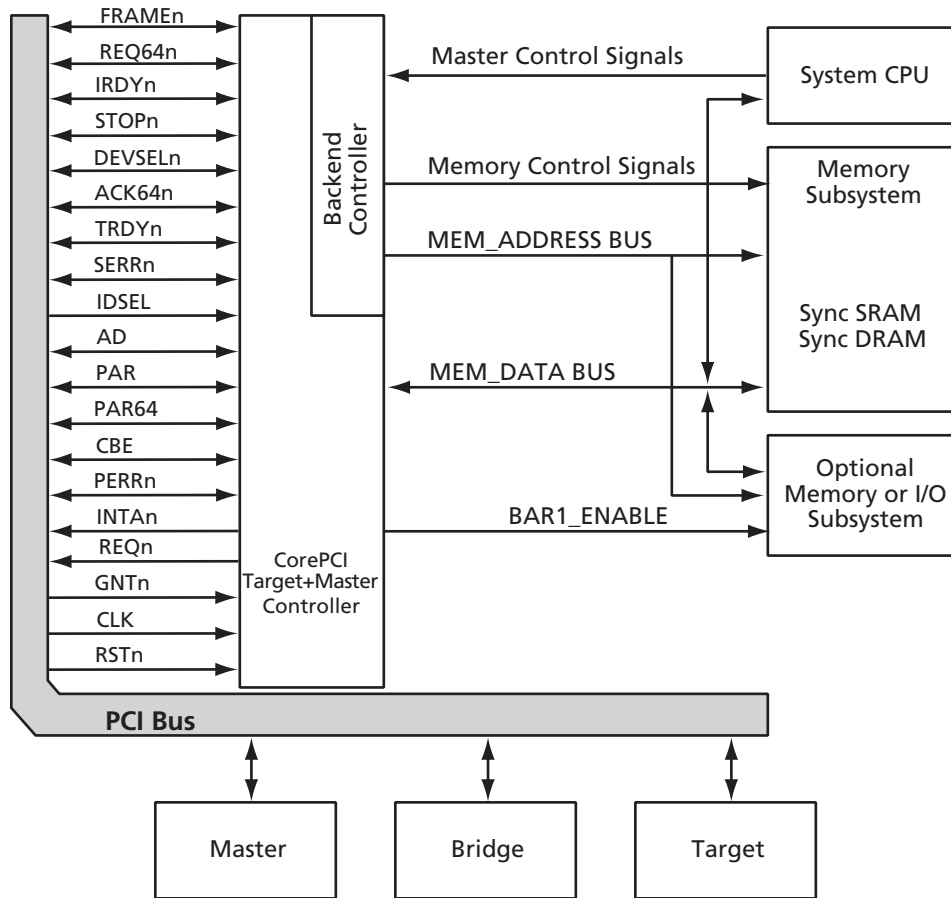


Figure 1 • CorePCI System Block Diagram

CorePCI Device Requirements

Performance requirements and bus size both drive device selection. [Table 1](#) summarizes the device requirements. A typical 64-bit PCI system requires at least 200 I/Os. [Table 4 on page 5](#) shows typical pin counts. The actual number of I/O pins depends on the user backend interface. The table assumes the complete backend interface is connected to I/O pins rather than internal logic. Some applications such as PCI-UART target could only require one backend I/O pin. [Table 1](#) and [Table 2 on page 4](#) are

summaries of the minimum device requirements for various PCI size/performance options. In order to meet the PCI timing requirements for output valid (6 ns for 66 MHz, 11 ns for 33 MHz) and input setup (3 ns for 66 MHz, 7 ns for 33 MHz) times, the speed grades shown in [Table 1](#) must be used. The RTSX-S, ProASIC, and ProASIC^{PLUS} families should only be employed for 32-bit/33 MHz PCI applications.

Table 1 • Supported Devices

	Family	PCI Voltage	Smallest Device	Commercial	Industrial	Military
33 MHz 32-bit	SXA	3.3 & 5.0	A54SX16A	STD	STD	STD
	RTSX-S	3.3 & 5.0	RT54SX32S	-1	-1	-1
	AX	3.3	AX125	STD	STD	STD
	RTAX-S	3.3	RTAX250S	STD	-1	-1
	APA	3.3	APA075	STD	STD	STD
	ProASIC3/E	3.3	A3P125	STD	STD	STD
33 MHz 64-Bit	SXA	3.3 & 5.0	A54SX16A	STD	STD	STD
	RTSX-S	3.3 & 5.0	RT54SX32S	N/A	N/A	N/A
	AX	3.3	AX125	STD	STD	STD
	RTAX-S	3.3	RTAX 250S	-1	-1	-1
	APA	3.3	APA075	N/A	N/A	N/A
	ProASIC3/E	3.3	A3P125	STD	STD	STD
66 MHz 32-Bit	SXA	3.3 & 5.0	A54SX16A	-3	-3	N/A
	RTSX-S	3.3 & 5.0	RT54SX32S	N/A	N/A	N/A
	AX	3.3	AX125	-1	-1	O/R
	RTAX-S	3.3	RTAX1000S	N/A	N/A	O/R
	APA	3.3	APA075	N/A	N/A	N/A
	ProASIC3/E	3.3	A3P125	-2	-2	N/A
66 MHz 64-Bit	SXA	3.3 & 5.0	A54SX16A	-3	-3	N/A
	RTSX-S	3.3 & 5.0	RT54SX32S	N/A	N/A	N/A
	AX	3.3	AX125	-1	-1	O/R
	RTAX-S	3.3	RTAX1000S	N/A	N/A	O/R
	APA	3.3	APA075	N/A	N/A	N/A
	ProASIC3/E	3.3	A3P125	-2	-2	N/A

Notes:

1. Required speed grades based on Libero design flows.
2. N/A indicates device not supported.
3. All packages are supported.
4. O/R indicates on request.

Table 2 • Device Utilization for CorePCI Functions

Device	Target		Master		Target+DMA		Target+Master	
	32-Bit	64-Bit	32-Bit	64-Bit	32-Bit	64-Bit	32-Bit	64-Bit
A54SX16A	54%	N/A	89%	N/A	86%	N/A	94%	N/A
A54SX16P	54%	N/A	89%	N/A	86%	N/A	94%	N/A
A54SX32A	27%	32%	45%	56%	43%	57%	48%	56%
A54SX72A	13%	15%	21%	27%	21%	27%	23%	27%
RT54SX32S	27%	32%	45%	27%	43%	57%	48%	56%
RT54SX72S	13%	15%	21%	27%	21%	27%	23%	27%
AX125	39%	45%	64%	79%	62%	81%	68%	80%
AX250	19%	22%	31%	38%	30%	39%	32%	38%
AX500	10%	11%	16%	20%	16%	20%	17%	20%
AX1000	4%	5%	7%	9%	7%	9%	8%	9%
AX2000	2%	3%	4%	5%	4%	5%	4%	5%
RTAX250S	19%	11%	16%	20%	16%	20%	17%	20%
RTAX1000S	4%	5%	7%	9%	7%	9%	8%	9%
RTAX2000S	2%	3%	4%	5%	4%	5%	4%	5%
APA075	40%	N/A	62%	N/A	62%	N/A	80%	N/A
APA150	20%	N/A	31%	N/A	31%	N/A	40%	N/A
APA300	15%	N/A	23%	N/A	23%	N/A	30%	N/A
APA450	10%	N/A	16%	N/A	16%	N/A	20%	N/A
APA600	6%	N/A	9%	N/A	9%	N/A	11%	N/A
APA750	4%	N/A	6%	N/A	6%	N/A	7%	N/A
APA1000	2%	N/A	3%	N/A	3%	N/A	4%	N/A
A3P125	45%	49%	72%	90%	72%	90%	76%	90%
A3P250	22%	25%	36%	45%	36%	45%	36%	45%
A3P400	15%	17%	24%	36%	24%	36%	26%	36%
A3P600	10%	11%	16%	20%	16%	20%	17%	20%
A3P1000	5%	6%	9%	11%	9%	11%	10%	11%
A3PE600	10%	11%	16%	20%	16%	20%	17%	20%
A3PE1500	3%	4%	6%	7%	6%	7%	6%	20%
A3PE3000	2%	2%	3%	4%	3%	4%	3%	4%

Notes:

1. Refers to the SX, SX-A, RTSX, and RTSXS families.
2. N/A indicates either insufficient I/O resources, or the device does not support 66 MHz operation.
3. [Table 3 on page 5](#) gives more detailed utilization data.
4. Utilization will vary depending on core configuration, table shows typical values.
5. All packages are supported for the devices listed above.

Utilization Statistics

Utilization statistics are given in [Table 2](#) on [page 4](#). [Table 3](#) gives a detailed breakdown of the actual gate counts for each of the core variations and options listed in [Table 3](#). The antifuse column indicates the typical R and C module counts for the SX, SX-A, RTSX-S, and Accelerator families. The Flash column indicates the tile

counts for the ProASIC^{PLUS} and ProASIC3/E families. These are typical numbers and will vary based on the synthesis tools and constraints used. Each backend requires different amounts of logic depending on the complexity of the controller. An SDRAM controller is included as an example.

Table 3 • Utilization Statistics for CorePCI

Function	Antifuse ¹			ProASIC ^{PLUS} Flash ²	ProASIC3/E Flash ²
	Sequential	Combinatorial	Total	Tiles	Tiles
32-Bit Target Controller	262	528	790	1218	1194
64-Bit Target Controller	350	560	910	N/A	1266
32-Bit Master Controller	480	810	1290	1900	1862
64-Bit Master Controller	600	1000	1600	N/A	2590
32-Bit Target+DMA Controller	400	850	1250	1904	1866
64-Bit Target+DMA Controller	554	1087	1641	N/A	2815
32-Bit Target/Master Controller	470	900	1370	2437	2389
64-Bit Target/Master Controller	570	1050	1620	N/A	2720
SDRAM Controller	70	130	200	230	225
BAR #1 Support	30	70	100	140	137
DMA Mapped into I/O ³	30	90	120	120	117

Notes:

1. The sequential number is the R-module usage and the combinatorial number is the C-module usage.
2. Total number of tiles required.
3. Only applicable to Target+DMA functions.

Table 4 • Core I/O Requirements

Core	I/O Count				
	PCI	Backend		Total	
		Minimum	Standard*	Minimum	Standard*
32-Bit Target Controller	48	1	74	49	122
64-Bit Target Controller	87	1	113	88	200
32-Bit Master Controller	50	1	83	51	133
64-Bit Master Controller	89	1	122	90	211
32-Bit Target+DMA Controller	50	1	74	51	124
64-Bit Target+DMA Controller	89	1	113	90	202
32-Bit Target+Master Controller	50	1	83	51	133
64-Bit Target+Master Controller	89	1	122	90	211

Note: *Assumes all the backend I/O pins as listed in the data sheet are connected to I/O pins rather than to internal FPGA logic.

CorePCI IP Functional Block Diagram

CorePCI consists of six major functional blocks, shown in [Figure 2 on page 7](#). These blocks are the DMA state machine, the address phase state machine, the dataphase state machine, the datapath, parity, and the configuration block. All of the blocks shown are required to implement the Target+DMA and Target+Master functions. For the Target-only core, the DMA state machine is eliminated. For the Master-only core, the configuration block is not required.

The DMA, address phase, and dataphase state machines control the core's outputs and also the dataflow between the PCI bus and the backend. The remaining modules define the datapath logic for CorePCI.

DMA State Machine

The DMA state machine is responsible for obtaining Master ownership of the PCI bus and launching a data transfer by asserting FRAMEn. Once a burst transaction has begun, the DMA state machine tracks the transfer count and terminates the burst by de-asserting the FRAMEn signal and releasing Master ownership of the PCI bus. In addition to basic Master control, the DMA module also implements the DMA support registers, PCI Start Address, RAM Start Address, and DMA Control.

Address Phase State Machine

The address phase state machine is responsible for monitoring the PCI bus and determining if a PCI transaction is targeting CorePCI. When a hit is detected, the DP_START/DP_START64 signals are activated, setting off the dataphase machine and backend logic. The address phase state machine also determines the cycle type and provides this information on the RD_CYC, WR_CYC, BAR0_MEM_CYC, BAR1_CYC, and CONFIG_CYC outputs.

Dataphase State Machine

The dataphase state machine is responsible for controlling the PCI output signals and coordinating the data transfers with the backend logic. When operating as a Target, the PCI outputs are TRDYn, DEVSELn, and STOPn. When operating as a Master, IRDYn is the primary PCI output. Data transfers to the backend are coordinated using the signals RD_BE_RDY, RD_BE_NOW, WR_BE_RDY, and WR_BE_NOW. The two "BE_RDY" inputs indicate that the backend is ready to transmit or receive data. The "BE_NOW" signals are synchronous data strobes and indicate that a data transfer will occur on the next rising edge of the clock. The dataphase state machine also drives the DP_DONE output active at the end of the PCI transfer.

Datapath

The datapath module provides the steering and registers for the data between the PCI bus and the backend. Additionally, the datapath contains the address counters and increments the value after each data transaction.

Parity

The parity block generates and checks parity on the PCI bus.

Configuration

The configuration block contains the configuration register file for the Target controller. These registers include the ID, status, control, and the base address registers. The core implements a single function Type 0 configuration space.

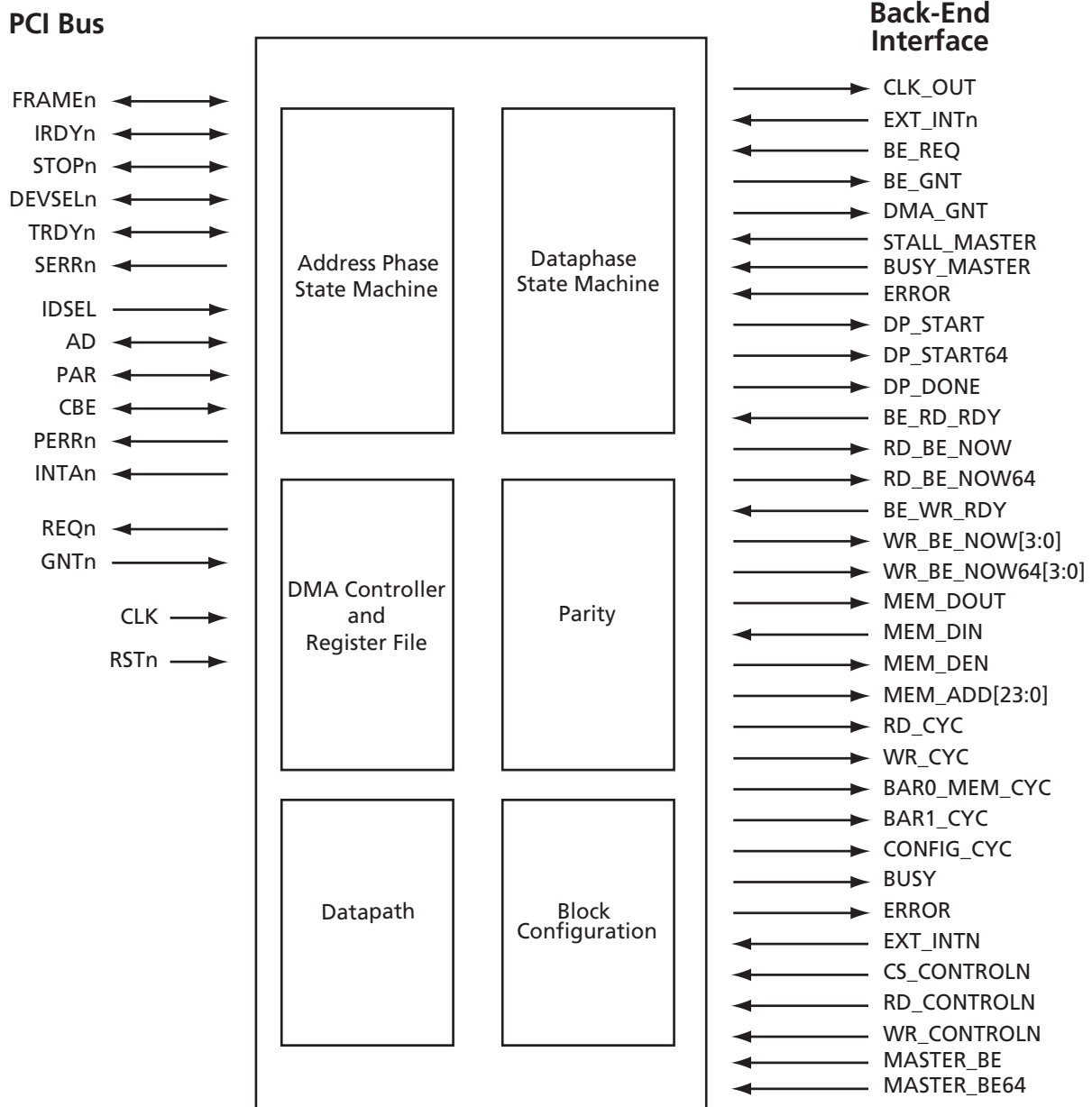
Data Transactions

CorePCI is designed to be fully compliant for all transfer types, including both single DWORD and burst transactions. Burst transfers can operate with either zero, one, or more wait states. Normally, CorePCI will burst data with zero wait states; however, for slow response peripherals, CorePCI can insert wait states under the control of the backend. During Target operation, wait states are inserted by driving TRDYn high. During Master operation, CorePCI drives IRDYn high to insert wait states.

I/O Signal Descriptions

The PCI and backend signals for CorePCI are defined in [Table 5 on page 8](#) and [Table 6 on page 9](#). For the purposes of this data sheet, the following signal type definitions are used:

- Input: Standard input-only signal.
- Output: Standard active driver that drives continuously.
- Tristate Output: Standard active driver that can be tristated.
- Bidirectional (referred to as *t/s* in the PCI specification): A combination input and *t/s* output pin.
- Sustained Tristate (*s/t/s* in the PCI specification): A term used to describe either bidirectional or *t/s* output pins. The STS term indicates that the signal should always be driven to a logic '1' before the pin is tristated.
- Open Drain: Drive to '0' only output. A pull-up is required to sustain the high-impedance state to a logic '1' and is provided by the PCI backplane.



For a complete list of signal descriptions, refer to Table 5 on page 8 and Table 6 on page 9.

Figure 2 • CorePCI Block Diagram

Table 5 • CorePCI Interface Signals

Name *	Type	Description
CLK	Input	33 MHz or 66 MHz clock input for the PCI core
RSTn	Input	Active LOW asynchronous reset
AD	Bidirectional	Multiplexed 32-bit or 64-bit address and data bus. Valid address is indicated by FRAMEn assertion.
CBE	Bidirectional	Bus command and byte enable information. During the address phase, the lower 4 bits define the bus command. During the dataphase, they define the byte enables. This bus is 4 bits for 32-bit PCI systems and 8 bits in 64-bit systems.
PAR	Bidirectional	Parity signal. Parity is even across AD[31:0] and CBE[3:0].
PAR64	Bidirectional	Upper parity signal. Parity is even across AD[63:32] and CBE[7:4]. This signal is not required for 32-bit PCI systems.
FRAMEn	Bidirectional (STS)	Active LOW signal indicating the beginning and duration of an access. While FRAMEn is asserted, data transfers continue.
REQ64n	Bidirectional (STS)	Active LOW signal with the same timing as FRAMEn indicating that the Master requests a data transfer over the full 64-bit bus. This signal is not required for 32-bit PCI systems.
IRDYn	Bidirectional (STS)	Active LOW signal indicating that the bus Master is ready to complete the current dataphase transaction.
TRDYn	Bidirectional (STS)	Active LOW signal indicating that the Target is ready to complete the current dataphase transaction.
STOPn	Bidirectional (STS)	Active LOW signal from the Target requesting termination of the current transaction.
IDSEL	Input	Active HIGH Target select used during configuration read and write transactions.
DEVSELn	Bidirectional (STS)	Active LOW output from the Target indicating that it is the Target of the current access.
ACK64n	Bidirectional (STS)	Active LOW output from the Target indicating that it is capable of transferring data on the full 64-bit PCI bus. This signal is driven in response to the REQ64n signal and has the same timing as DEVSELn. This signal is not required in 32-bit PCI systems.
REQn	Output	Active LOW output used to request bus ownership. This signal is asserted by the PCI Master controller whenever Master/DMA mode is enabled.
GNTn	Input	Active LOW input from the system arbiter indicating that the core may claim bus ownership.
PERRn	Bidirectional (STS)	Active LOW parity error signal
SERRn	Open Drain	Active LOW system error signal. This signal reports PCI address parity errors.
INTAn	Open Drain	Active LOW interrupt request

Note: *Active LOW signals are designated with a trailing lower-case n.

Table 6 • CorePCI Backend Interface Signal

Name^{1,2}	Type	Description
CLK_OUT	Output	Clock Output. The core uses an internal clock buffer, this is buffered version of the clock and should be used for clocking any other logic in the FPGA that is clocked by the PCI clock.
BAR0_MEM_CYC	Output	Active high signal indicating a transaction to the memory space defined in the base address register zero (BAR0) located at 10H in Configuration Header Space.
BAR1_CYC	Output	Active high signal indicating a transaction to the optional memory or I/O space defined in base address register one (BAR1) located at 14H in Configuration Header Space.
CONFIG_CYC	Output	Active high signal indicating a transaction to configuration space.
RD_CYC	Output	Active high signal indicating a read transaction from the backend.
WR_CYC	Output	Active high signal indicating a write transaction to the backend.
MEM_DIN	Input	DWORD aligned 32- or 64-bit databus input
MEM_DOUT	Output	DWORD aligned 32- or 64-bit databus output
MEM_DATA_DEN	Output	Active high data enable for MEM_DOUT, lower 32-bit. This is intended as an output enable if MEM_DIN and MEM_DOUT are connected to bi-directional pads.
MEM_DATA_DEN64	Output	Active high data enable for MEM_DOUT, upper 32-bit. This is intended as an output enable if MEM_DIN and MEM_DOUT are connected to bi-directional pads.
MEM_ADD[N:0] ³	Output	DWORD aligned memory address bus where N is defined by the variable MADDR_WIDTH. Since the PCI address is byte aligned, a 2-bit shift of the address is performed and PCI address bits 0 and 1 are discarded. For example, a 1 Mbyte memory requires 20 address bits to uniquely address each byte or 18 address bits to uniquely address each DWORD. A PCI address of 'CCCC'h would translate to '3333'h on the backend. For writes, individual bytes are qualified with the 4-bit WR_BE_NOW bus. All reads are assumed to be full DWORDS.
DP_START DP_START64	Output	DP_START is an active high pulse indicating that a PCI transaction to the backend is beginning. If the transfer is 64-bit, then DP_START64 will be asserted at the same time as DP_START.
DP_DONE	Output	Active high pulse indicating that a successful PCI transaction to the backend has finished.
RD_BE_NOW RD_BE_NOW64	Output	Active High Synchronized Read Strobe. When active high, these signals indicate that the PCI controller will read data on the MEM_DATA bus on the next rising clock edge. These signals are active whenever both the backend (as indicated by RD_BE_RDY) and the PCI bus (as indicated by IRDYn) are ready to transmit data. The RD_BE_NOW indicates a write to the lower 32 bits of data and the RD_BE_NOW64 indicates a read from the upper 32 bits of data. Function of these signals are impacted by the PIPE_FULL_CNT bus (Figure 15).
RD_BE_RDY	Input	Active high signal indicating that the backend is ready to send data to the Target interface. If the ready signal does not become active within the limits defined by the PCI bus, then a disconnect without data will be initiated.

Notes:

1. Active LOW signals are designated with a trailing lower-case n.
2. Signals ending in "CYC" become valid as the same cycle DP_START is active and will remain valid throughout the current cycle (until DP_DONE is asserted).
3. MADDR_WIDTH is defined in [Table 22 on page 20](#).
4. All inputs should be synchronous to the PCI clock.

Table 6 • CorePCI Backend Interface Signal (Continued)

Name ^{1,2}	Type	Description
WR_BE_NOW[3:0] WR_BE_NOW64[3:0]	Output	Active high synchronous write strobe. These signals indicate that the PCI controller is providing valid write data on the MEM_DATA bus. These signals are active whenever both the backend (as indicated by WR_BE_RDY) and the PCI bus (as indicated by IRDYn) are ready to transmit data. The WR_BE_NOW indicates a write from the lower 32 bits of data and the WR_BE_NOW64 indicates a write from the upper 32 bits of data. For WR_BE_NOW, each bit represents a byte enable with bit 0 corresponding to the least significant byte (byte 0) on the MEM_DATA bus. Similarly, for WR_BE_NOW64, each bit represents a byte enable with bit 0 corresponding to byte 4 on the MEM_DATA bus. Function of these signals are impacted by the PIPE_FULL_CNT bus (Figure 15).
WR_BE_RDY	Input	Active high signal indicating that the backend is ready to receive data from the Target interface. If the ready signal does not become active within the time limits defined by the PCI bus, then a disconnect without data will be initiated.
PIPE_FULL_CNT[2:0]	Input	Normally, the address on MEM_ADDRESS and the data on MEM_DATA are coincident. In some backends, like synchronous SRAMs, the data lags the address by one or more cycles. The PIPE_FULL_CNT bus feeds a latency timer in the PCI controller to help in these cases. When the PIPE_FULL_CNT is non-zero, the PCI controller will increment the address, the number of counts defined and will not expect data until the count expires. The RD_BE_NOW and WR_BE_NOW signals need to be ignored during the time-out. For example, if PIPE_FULL_CNT is set to '010', then the *_NOW signals should be ignored during the first two cycles they are active, while the address is initially incremented.
BE_REQ	Input	A request from the backend to the PCI Controller to take control of the backend. This signal is active high, and should be synchronous to the PCI clock.
BE_GNT	Output	A grant from the PCI Controller giving control to the backend. When the BE_GNT signal is active and a transaction to the PCI Target controller occurs, the PCI controller will respond with a Retry cycle. If a cycle is in progress when the BE_REQ is asserted, the BE_GNT will not assert until completion of the current PCI cycle. If the backend must take control during a cycle, then the ready signals can be de-asserted, causing a PCI time-out and resulting disconnect.
DMA_GNT	Output	Indicates that the internal DMA controller has control of the back-end core interface.
BUSY_MASTER	Input	When high DMA cycles will not be started. If a DMA-cycle is in progress and this signal goes high the DMA cycle will be stopped within two data transfers, i.e. up to two more data cycles may occur when the signal goes high.
STALL_MASTER	Input	If high when CorePCI starts a DMA cycle on the backend, it will assert DP_START, but hold off asserting FRAME and starting the cycle on the PCI bus until STALL_MASTER is deasserted (low) signifying that the back end's data is now ready. This can be used to support backends that take several cycles to become ready. Note that GNT can be removed at anytime while the core is waiting for the backend data, which will cause the core to abort the cycle.
ERROR	Input	Active high signal that will force the PCI controller to terminate the current transfer with a Target abort cycle. The signal affects the Target function only, it is ignored during master operation.

Notes:

1. Active LOW signals are designated with a trailing lower-case n.
2. Signals ending in "CYC" become valid as the same cycle DP_START is active and will remain valid throughout the current cycle (until DP_DONE is asserted).
3. MADDR_WIDTH is defined in [Table 22 on page 20](#).
4. All inputs should be synchronous to the PCI clock.

Table 6 • CorePCI Backend Interface Signal (Continued)

Name^{1,2}	Type	Description
BUSY	Input	Active high signal indicating that the backend controller cannot complete the current transfer. When BUSY is active at the beginning of a transfer, the Target controller will perform a retry cycle. If BUSY is activated after some data has been transferred, the Target controller will perform a disconnect cycle, either with or without data. The signal affects the Target function only, it is ignored during master operations.
EXT_INTn	Input	Active low interrupt from the backend. When PCI interrupts are enabled, this should cause an INTAn signal to be asserted.
CS_CONTROLn	Input	Active low chip select to the DMA registers (Master and Target+Master functions).
RD_CONTROLn	Input	Active low synchronous read enable for the DMA registers (Master and Target+Master functions only).
WR_CONTROLn	Input	Active low synchronous write enable for the DMA registers (Master and Target+Master functions only).
CONTROL_ADD[1:0]	Input	Two-bit address used to address the DMA registers from the backend (Master and Target+Master functions only).
MASTER_BE[3:0]	Input	Active low-byte enable inputs used during master transfer to drive the lower CBE lines.
MASTER_BE64[3:0]	Input	Active low-byte enable inputs used during master transfer to drive the upper CBE lines

Notes:

1. Active LOW signals are designated with a trailing lower-case n.
2. Signals ending in "CYC" become valid as the same cycle DP_START is active and will remain valid throughout the current cycle (until DP_DONE is asserted).
3. MADDR_WIDTH is defined in [Table 22 on page 20](#).
4. All inputs should be synchronous to the PCI clock.

CorePCI Target Function

CorePCI Target function acts like a slave on the PCI bus. The Target controller monitors the bus and checks for hits to either configuration space or to the address space defined in its base address registers (BARs). When a hit is detected, the Target controller notifies the backend and then acts to control the flow of data between the PCI bus and the backend.

Supported Target Commands

Table 7 on page 12 lists the PCI commands supported in the current CorePCI Target implementation. If required, I/O support, and thus I/O commands, can be eliminated from the design by setting the appropriate customization options.

I/O Read (0010) and Write (0011)

The I/O read command is used to read data mapped into I/O address space. CorePCI will not check to verify the consistency of the address and byte enables. This and any additional error checking is left for implementation by the user. The I/O write command is used to write data mapped into I/O address space. In this case, the write is qualified by the byte enables. The default I/O space size is 256 bytes.

Memory Read (0110) and Write (0111)

The memory read and write commands are used to read data in memory-mapped address space. The baseline memory core supports 4 megabytes for the 32-bit core and 8 megabytes for the 64-bit core, which can be located anywhere in 32-bit address space. The memory size may be set to any value using the MADDR_WIDTH customization constant.

Configuration Read (1010) and Write (1011)

The configuration read command is used to read the configuration space of each device. The configuration write command is employed to write information into the configuration space. The device is selected if its IDSEL signal is asserted and AD[1:0] are '00'b. Additional address bits are defined as follows:

- AD[7:2] contain one of 64 DWORD addresses for the configuration registers.
- AD[10:8] indicate which device of a multi-function agent is addressed. The core does not support multi-function devices and these bits should be '000'b.
- AD[31:11] are "don't cares."

Table 7 • Supported PCI Target Commands

C/BE[3:0]	Command Type	Supported
0000	Interrupt Acknowledge	No
0001	Special Cycle	No
0010	I/O Read	Yes
0011	I/O Write	Yes
0100	Reserved	–
0101	Reserved	–
0110	Memory Read	Yes
0111	Memory Write	Yes
1000	Reserved	–
1001	Reserved	–
1010	Configuration Read	Yes
1011	Configuration Write	Yes
1100	Memory Read Multiple	Yes
1101	Dual Address Cycle	No
1110	Memory Read Line	Yes
1111	Memory Write and Invalidate	No

Supported Cycle Types

CorePCI Target will perform either single DWORD or burst transactions depending on the request from the system Master. If the backend is unable to deliver data, the Target will respond with either a PCI Retry or Disconnect, either with or without data. If the system Master requests a transfer that the backend is not able to perform, a Target abort can be initiated by the backend.

Target Configuration Space

The PCI specification requires a 64-byte configuration space (header) to define various attributes of the PCI Target, as shown in Table 8 on page 13. All registers shown in bold are implemented, including the two base address registers. None of the remaining registers are included in the baseline implementation and will return zeroes when read.

In the Target-only function, one additional configuration register, 48h, is used to define backend interrupt control and status. For other functions, this information is contained in the DMA control register.

Read-Only Configuration Registers

The read-only registers listed in [Table 8 on page 13](#) have default values, but should be modified by the designer. See the PCI specification for setting these values:

- Vendor ID
- Device ID
- Revision ID
- Class Code
- Subsystem ID
- Subsystem Vendor ID

The header type register is also read-only, but should not be modified (pre-set to a constant value of '00h'). The Capability Pointer is included when the HOT_SWAP_EN customization constant is set to '1'b. See [Table 13 on page 16](#) for more information.

Read/Write Configuration Registers

The following registers have at least one bit that is both read and write capable. For a complete description, refer to the appropriate table.

- "Command Register (04h)" ([Table 9 on page 14](#))
- "Status Register (06h)" ([Table 10 on page 14](#))
- "Memory Base Address Register Bit Definition (Locations 10h or 14h)" ([Table 11 on page 16](#))
- "I/O Base Address Register Bit Definitions (Location 14h Only)" ([Table 12 on page 16](#))
- "Interrupt Register (3Ch)" ([Table 14 on page 16](#))
- "Interrupt Control/Status Register (48h)" ([Table 15 on page 16](#))
- "Optional Hot-Swap Register (80h)" ([Table 16 on page 16](#))

Table 8 • PCI Configuration Header

31–24	23–16	15–8	7–0	Address
Device ID		Vendor ID		00h
Status		Command		04h
Class Code			Revision ID	08h
BIST	Header Type	Latency Timer	Cache Line Size	0Ch
Base Address #0 (Memory Location for Baseline Target)				10h
Base Address #1 (Optional Memory or I/O)				14h
Base Address #2 (Optional I/O for DMA Register Mapping)				18h
Base Address #3				1Ch
Base Address #4				20h
Base Address #5				24h
CardBus CIS Pointer				28h
Subsystem ID		Subsystem Vendor ID		2Ch
Expansion ROM Base Address				30h
Reserved			Capabilities Pointer	34h
Reserved				38h
Max_Lat	Min_Gnt	Interrupt Pin	Interrupt Line	3Ch
Interrupt Control/Status Register				48h
Hot-Swap Register (optional)				80h

Table 9 • Command Register (04h)

Bit	Type	Description
0	RW	I/O Space A value of '0' disables the device's response to I/O space addresses. Set to '0' after reset.
1	RW	Memory Space A value of '0' disables the device's response to memory space addresses. Set to '0' after reset.
2	RW	Bus Master When set to a '1' this bit enables the macro to behave as a PCI bus Master. For Target-only implementation, this bit is read-only and is set to '0'.
3	RO	Special Cycles No response to special cycles. It is set to '0'.
4	RO	Memory write and invalidate enable Memory write and invalidate not supported. It is set to '0'.
5	RO	VGA Palette Snoop Assumes non-VGA peripheral. It is set to '0'.
6	RW	Parity Error Response When '0' the device ignores parity errors. When '1' normal parity checking is performed. Set to '0' after reset.
7	RO	Wait Cycle Control No data-stepping supported. It is set to '0'.
8	RW	SERRn Enable When '0' the SERRn driver is disabled. It is set to '0' after reset.
9	RO	Fast Back-to-Back Enable Set to '0'. Only fast back-to-back transactions to same agent are allowed.
10	RW	Interrupt Disable When set this prevents the Core from asserting its INTAn output. This bit is set to '0' after reset.
15–11	RO	Reserved and set to all '0's.

Note: RW = Read and write
RO = Read only

Table 10 • Status Register (06h)

Bit	Type	Description
2–0	RO	Reserved—set to '000'b.
3	RO	Interrupt Status This bit reflects the status of the INTAn output.
4	RO	Capabilities List When the HOT_SWAP_EN customization constant is set to a '1', the bit is set to a '1'; otherwise, it is set to '0'.
5	RO	66 MHz Capable Should be set to '1' to indicate a 66 MHz Target, or '0' to indicate a 33 MHz Target. The value depends on the MHZ_66 customization constant.

Note: The RW capability in the status register is restricted to clearing the bit by writing a '1' into the bit location.

Table 10 • Status Register (06h) (Continued)

Bit	Type	Description
6	RO	UDF Supported Set to '0' – no user definable features.
7	RO	Fast Back-to-Back Capable Set to '0' – fast back-to-back to same agent only.
8	RW	Data Parity Error Detected If the Master controller detects a PERRn, this bit is set to a '1'. This bit is read-only in Target-only implementations and is set to '0'.
10–9	RO	DEVSELn Timing Set to '10' – slow DEVSELn response.
11	RW	Signaled Target Abort Set to '0' at system reset. This bit is set to a '1' by internal logic whenever a Target abort cycle is executed.
12	RW	Received Target Abort If the Master controller detects a Target Abort, this bit is set to a '1'. This bit is read-only in Target-only implementations and is set to '0'.
13	RW	Received Master Abort If the Master controller performs a Master Abort, this bit is set to a '1'. This bit is read-only in Target-only implementations and is set to '0'.
14	RW	Signaled System Error Set to '0' at system reset. This bit is set to '1' by internal logic whenever the SERRn signal is asserted by the Target.
15	RW	Detected Parity Error Set to '0' at system reset. This bit is set to '1' by internal logic whenever a parity error, address, or data is detected, regardless of the value of bit 6 in the command register.

Note: The RW capability in the status register is restricted to clearing the bit by writing a '1' into the bit location.

Table 11 • Memory Base Address Register Bit Definition (Locations 10h or 14h)

Bit	Type	Description
0	RO	Set to '0' to indicate memory space.
2–1	RO	Set to '00' to indicate mapping into any 32-bit address space.
3	RO	Set to a '1' Indicating prefetch allowed on reads.
23–4	RO	Indicates a 16 MB address space. It is set to all '0's.
31–24	RW	Programmable location for 16 MB address space. To determine a hit, these bits must be compared to PCI address bits 31–24.

Note: The description for bit values 31–24 and 23–4 will vary depending on the actual memory size defined in the customization options. See "[Customization Options](#)" on [page 19](#) for more information.

Table 12 • I/O Base Address Register Bit Definitions (Location 14h Only)

Bit	Type	Description
0	RO	Set to '1' to indicate I/O space.
1	RO	Reserved. It is set to '0'.
7–2	RO	256-byte I/O space for this peripheral. It is set to all '0's.
31–8	RW	Programmable address for this peripheral's I/O space. To determine a hit, these bits must be compared to PCI address bits 31–8.

Note: The description for bit values 31–8 and 7–2 will vary depending on the actual memory size defined in the customization options. See "[Customization Options](#)" on [page 19](#) for more information.

Table 13 • Capabilities Pointer (34h)

Bit	Type	Description
7–0	RO	Set to '10000000'b when the customization constant, HOT_SWAP_EN, is set to a '1'; otherwise, it is all zeroes.
31–8	RW	Reserved. It is set to '0'.

Note: This register is not required if hot-swap is not enabled. See "[Customization Options](#)" on [page 19](#) for more information.

Table 14 • Interrupt Register (3Ch)

Bit	Type	Description
7–0	RW	Required read/write register. This register has no impact on internal logic.
15–8	RO	Set to '00000001'b to indicate INTAn.

Table 15 • Interrupt Control/Status Register (48h)

Bit	Type	Description
7–0	RO	Reserved. It is set to all zeroes.
8	RW	A '1' in this bit indicates an active external interrupt condition (assertion of EXT_INTn). The user can clear it by writing a '1' to the bit position. It is set to '0' after reset.
9	RW	Writing a '1' to this bit enables support for the external interrupt signal. Writing a '0' to this bit disables external interrupt support.
31–10	RO	Reserved. It is set to '0'.

Table 16 • Optional Hot-Swap Register (80h)

Bit	Type	Description
7–0	RO	Reserved. It is set to all zeroes.
8	RO	Reserved. It is set to '0'.
9	RW	ENUM# Signal Mask.
10	RO	Reserved. It is set to '0'.
11	RW	LED ON/OFF. When set to a '1', this bit is used to drive a blue LED indicating that it is safe to extract the card.
13–12	RO	Reserved. It is set to '0'.
14	RW	ENUM# Insertion Status.
15	RW	ENUM# Insertion Status.
23–16	RO	The next item located in the capabilities list. Set to '0' in the baseline core.
31–24	RO	Set to '06'h to indicate hot-swap capability.

CorePCI Master Function

The Master function in CorePCI is designed to perform the following:

- Arbitrate for the PCI bus
- Initiate an access by asserting FRAMEn and providing the address and command
- Pass dataflow control to the Target controller
- End the transfer when the DMA count has been exhausted by de-asserting FRAMEn

Supported Master Commands

CorePCI Master controller is capable of performing configuration, I/O, memory, and interrupt acknowledge cycles. Data transfers can be up to 4kb. However, configuration and I/O commands are typically limited to a single DWORD.

The Master controller will attempt to complete the transfer in a single burst unless the maximum burst length bits are set in the control register. If the addressed Target is unable to complete the transfer and performs a Retry or Disconnect, the Master control will restart the transfer and continue from the last known good transfer. If a Target does not respond (no DEVSELn asserted) or responds with Target Abort cycle, the Master controller will abort the current transaction and report it as an error in the control register. The supported CorePCI Master commands are listed in [Table 17](#).

Table 17 • Supported CorePCI Master Commands

CBE[3:0]	Command Type
0000	Interrupt Acknowledge Cycle
0010	I/O Read

Table 17 • Supported CorePCI Master Commands

CBE[3:0]	Command Type
0011	I/O Write
0110	Memory Read
0111	Memory Write
1010	Configuration Read
1011	Configuration Write

Master Registers

There are three registers used to control the function of CorePCI Master. The first register is the 32-bit PCI address register. The second register is the 32-bit RAM or backend address register. These two registers provide the source/destination addressing for all data transfers. A 32-bit control register defines the type, length, and status of a Master transfer. These registers are cleared on reset. They are defined in detail in [Table 18](#) and [Table 19](#) on this page, and [Table 20](#) on page 18.

Table 18 • PCI Start Address

Bit	Type	Description
1–0	RO	Set to '00'b. PCI transfers must be on a DWORD boundary.
31–2	RW	PCI Start Address This location will increment during the DMA transfer when the DMA_CNT_EN customization constant is set to a '1'. Otherwise at the end of a transfer, this register value will hold the initial starting address.

Table 19 • RAM Start Address

Bit	Type	Description
1–0	RO	Set to '00'b. PCI transfers must be on a DWORD boundary.
23–2	RW	RAM Start Address This location will increment during the DMA transfer when the DMA_CNT_EN customization constant is set to a '1'. Otherwise at the end of a transfer, this register value will hold the initial starting address.
31–24	RO	Set to all zeros.

Note: The description for bit values 31–24 and 23–2 will vary depending on the actual memory size defined in the customization options. See "Customization Options" on page 19 for more information. For this case, MADDR_WIDTH is set to 24.

Table 20 • DMA Control Register

Bit	Type	Description
0–1	RW	DMA Error 00 – No Error 01 – Master Abort 10 – Parity Error 11 – Target Abort
2	RO	DMA Done A '1' indicates that the DMA transfer is done. Writing a '0' clears this bit.
3	RW	DMA Direction A '1' indicates a read from PCI and a write to RAM. A '0' indicates a read from RAM and a write to PCI.
4	RW	DMA Request Writing a '1' will initiate a DMA transfer and the bit will remain set until the DMA transfer completes or an error occurs (Master abort or Target abort).
5	RW	DMA Enable This bit must be set to '1' to enable any DMA transfers.
6	RW	DMA Interrupt Status A '1' in this bit indicates the DMA cycle has completed and the interrupt is active. The user clears this bit by writing a '1' to this bit. Set to '0' after reset.
7	RW	DMA Interrupt Enable Writing a '1' to this bit enables the DMA complete interrupt. Set to '0' after reset.
8	RW	External Interrupt Status A '1' in this bit indicates an active external interrupt condition (assertion of EXT_INTn). The user clears it by writing a '1' to this bit position. Set to '0' after reset.
9	RW	External Interrupt Enable Writing a '1' to this bit enables the external interrupt signal. Writing a '0' to this bit disables external interrupt support.
10	RW	Memory Transfer Width Writing a '1' to this bit enables a 64-bit memory transaction. For 32-bit CorePCI cores, this bit is read-only and is set to a '0'.
15–14	RO	Reserved (set to '00'b).
13–11	RW	Sets the type of PCI cycle performed: 000 – Memory Cycle 001 – Configuration Cycle 010 – Interrupt Acknowledge 100 – I/O Cycle Other encodings should not be used.
27–16	RW*	DMA Transfer Length Number of bytes to be transferred. Bits 16 and 17 are set to '0' since DMA transactions must be on DWORD boundaries. During a DMA transfer, this location will decrement indicating the number of bytes remaining. To transfer 1024 DWORDs, this location should be set to all zeros.

Table 20 • DMA Control Register (Continued)

Bit	Type	Description
28	RO	Reserved (set to '0').
31–29	RW	Maximum Burst Length When set to '000'b, the Master controller will attempt to complete the requested transfer in a single burst. When set to non-zero, the Master will automatically break up long bursts and limit burst transfer lengths to $2^{(n-1)}$ where n is the decimal value of bits 31:29. Therefore, maximum transfer lengths can be limited to 1, 2, 4, 8, 16, 32 or 64 dataphases. For example, if the maximum burst length is set to '101'b (16 transfers), then a 1024 DWORD transfer count would be broken up into 64 individual PCI accesses.

Master Register Access

There are three different ways that the Master registers can be accessed. The address locations for the DMA registers are listed in Table 21. For master functions, the registers are only accessible from the PCI bus and can be either I/O mapped or configuration mapped. For the I/O mapping, the core uses Base Address Register #2 to assign a 256-byte memory space. The registers are then located at addresses 40h, 44h, and 48h. To map these registers into I/O, the DMA_IN_IO customization constant

must be set to a '1'. When this constant is set to a '0', the registers are configuration mapped again at locations 40h, 44h, and 48h.

For Master and Target+Master functions, these registers are accessed via the backend. A two-bit address bus, CONTROL_ADD[1:0], is provided along with chip select, read, and write signals.

Table 21 • Address Locations for the DMA Registers

Register Name	Configuration Address	I/O Address	Backend Address
PCI Address	40h	40h	00b
Ram Address	44h	44h	01b
DMA Control Register	48h	48h	10b

Customization Options

CorePCI has a variety of options for user customization. A special package defining a list of variables that allow the user to optimize the core for a particular application is included with the source design files. All of the constants are applicable to the Target+DMA function. For Target+Master functions, the DMA_IN_IO constant is not required. For Target functions, the DMA_IN_IO and DMA_CNT_EN constants are not required. For Master functions, only the BIT64 and the MADDR_WIDTH constants are used. Table 22 lists the variables and their descriptions.

Configuration Register Constants

To set the read-only registers in the configuration space, a variety of constants are defined. The constants support the definitions of the device ID register, vendor ID register, class code registers, revision ID register, subsystem ID, and the subsystem vendor ID.

Other Options

In addition to the read-only configuration definitions, CorePCI offers a variety of customization options summarized as follows:

- 32-bit or 64-bit data size (BIT64)
- 33 or 66 MHz operation (MHZ_66)
- BAR0 address size (MADDR_WIDTH)
- Optional BAR1 definitions (BAR1_ENABLE, BAR1_IO_MEMORY, BAR1_ADDR_WIDTH, and BAR1_PREFETCH)
- Option to have the DMA registers mapped into I/O space (DMA_IN_IO) for Target+DMA functions

Table 22 • CorePCI Customization Constants

Constant	Type	Description
USER_DEVICE_ID ¹	Binary	Device ID constant
USER_VENDOR_ID ¹	Binary	Vendor ID constant
USER_REVISION_ID ¹	Binary	Revision ID constant
USER_BASE_CLASS ¹	Binary	Base Class constant
USER_SUB_CLASS ¹	Binary	Sub Class constant
USER_PROGRAM_IF ¹	Binary	Base Class Interface constant
USER_SUBSYSTEM_ID ¹	Binary	Subsystem ID constant
USER_SUBVENDOR_ID ¹	Binary	Subsystem Vendor ID constant
BIT_64	Binary	Defines whether the core should behave as a 32-bit ('0') or a 64-bit ('1') PCI controller.
MHZ_66 ¹	Binary	Defines the value of bit 5 in the status register. A '1' indicates the core is capable of running at 66 MHz.
DMA_CNT_EN ¹	Binary	When this constant is set to a '1', counting is enabled for the PCI start address, RAM Start Address, and transfer length registers in the DMA control module. For Master applications with very short bursts, this constant can be set to a '0'.
DMA_IN_IO ²	Binary	When this constant is set to a '0', the DMA registers are mapped into configuration space at addresses 40h, 44h, and 48h. If the constant is set to a '1', then the DMA registers are mapped into I/O space defined by base address register 2. The I/O port addresses for the DMA registers are at 40h, 44h, and 48h.
MADDR_WIDTH	Integer	Defines memory space size for base address register zero. Allowable range is 8-31 where 8 represents 256 bytes and 24 represents 16 Mbytes of memory space. For Master-only functions, this constant defines the size of the Master's backend memory.
BAR1_ENABLE ³	Binary	This constant enables ('1') base address register 1 (14h) to be either a memory or an I/O space.
BAR1_IO_MEMORY ³	Binary	Defines the type of base address register one. A memory is defined by a '1' and an I/O is defined by a '0'.
BAR1_ADDR_WIDTH ³	Integer	Defines memory or I/O space size for base address register one. An integer setting of N in this field corresponds to 2**N bytes. Allowable range for memory is 8-31 where 8 represents 256 bytes and 24 represents 16 Mbytes of memory space. Valid range for I/O is 2 to 8.
BAR1_PREFETCH ³	Binary	When BAR1 is a memory BAR, this constant defines the value of bit 3 (prefetchable bit) in the base address register.
HOT_SWAP_EN ³	Binary	When HOT_SWAP_EN is set to a '1', this constant will set bit 4 in the control register to a '1', will set the capability pointer to be 80h, and will implement the hot-swap extended capability register at configuration address 80h.

Notes:

1. Not applicable in Target-only core.
2. Only applicable in Target+DMA core.
3. Not applicable in Master-only core.

Table 22 • CorePCI Customization Constants (Continued)

Constant	Type	Description
ENABLE_BAR_OVERFLOW	Binary	When ENABLE_BAR_OVERFLOW is set the core will force a disconnect at the address boundary. When false the core will wrap around internally, This violates the PCI specification. When '1', the core will be slightly bigger and may cause disconnects when the last four memory locations are accessed. To avoid the extra logic and disconnects this generic may be set to '0'.
EXPORT_CLOCK_OUT	Binary	When EXPORT_CLOCK_OUT is set the core will provide a CLK_OUT port that contains the internal buffered PCI clock. This should be used for clocking other circuitry within the FPGA.

Notes:

1. Not applicable in Target-only core.
2. Only applicable in Target+DMA core.
3. Not applicable in Master-only core.

System Timing

To meet 33 MHz PCI timing specifications, only standard speed devices from the A54SX, A54SX-A, AX, A500K, and the APA families are required. To meet 66 MHz PCI timing requirements, the "-3" speed grade parts from the SX-A family or "-1" parts from the AX family must be used.

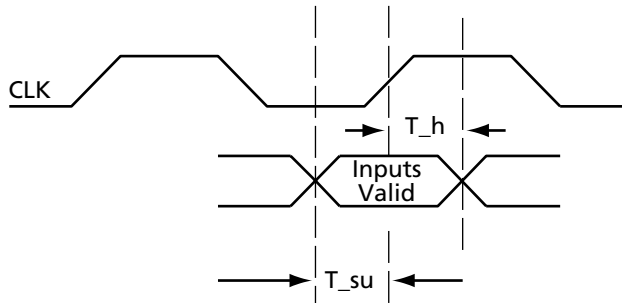


Figure 3 • Input Timing for PCI Signals

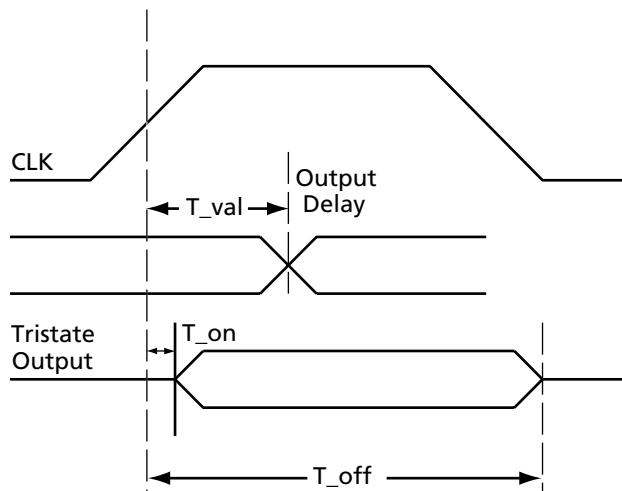


Figure 4 • Output Timing for PCI Signals

PCI Target Transactions

CorePCI supports both 32-bit and 64-bit data transfers. Configuration and I/O cycles are limited to 32-bit transfers; however, memory transactions can be either. Most of the waveforms are shown for 32-bit transfers. To move from 32-bit to 64-bit, a set of 64-bit control signals are supplied by both the backend as well as the PCI bus. For 64-bit memory transfers, these signals mirror their 32-bit counterparts with identical function and timing and are as follows:

- REQ64n is the same as FRAMEN

- ACK64n is the same as DEVSELn
- PAR64 is the same as PAR
- DP_START64 is the same as DP_START
- RD_BE_NOW64 is the same as RD_BE_NOW
- WR_BE_NOW64 is the same as WR_BE_NOW

In addition to these control signals, the AD and MEM_DATA buses are 64-bit rather than 32-bit. Also, the CBE bus is expanded from 4 bits to 8 bits. A complete example of a 64-bit read and write is illustrated in Figure 9 on page 26 and Figure 10 on page 27.

Configuration Cycles

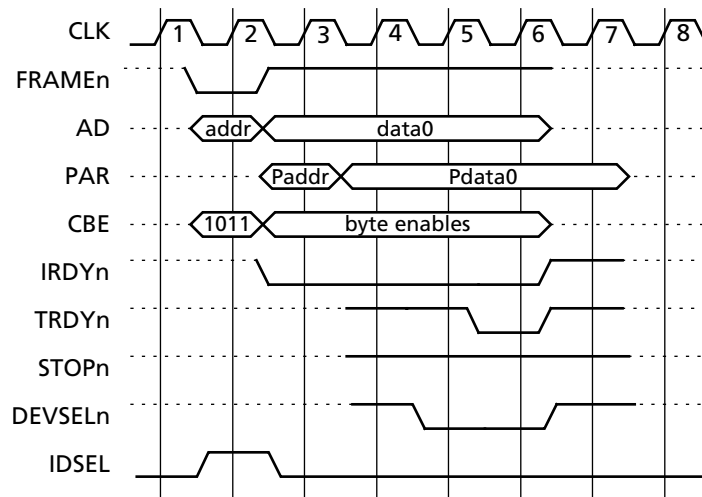
Configuration read and write cycles are used to define and determine the status of the Target's internal configuration registers. Configuration cycles are the only type of transactions that use the IDSEL signal. Register selection is defined by the contents of the address (bits 7 down to 2). A configuration write is shown in Figure 5 and a configuration read is shown in Figure 6 on page 23. CorePCI will also support burst transactions to configuration space if required.

Memory / I/O Cycles

Zero-Wait-State Burst Transactions

Zero-wait-state bursting enables transfer of a DWORD (32-bit PCI) or two DWORDs (64-bit PCI) for every clock cycle. All cycles are initiated with DP_START/DP_START64 indicating a hit to the Target. The backend should then look at the BAR0_MEM_CYC and BAR1_CYC to determine which space is being addressed. The RD_CYC and WR_CYC signals define the direction of the transfer. All of the *_CYC signals become valid during the DP_START pulse cycle and will remain in this state until the next DP_START occurs. If a DP_START64 is coincident with a DP_START, then the transaction is expected to be 64 bits wide.

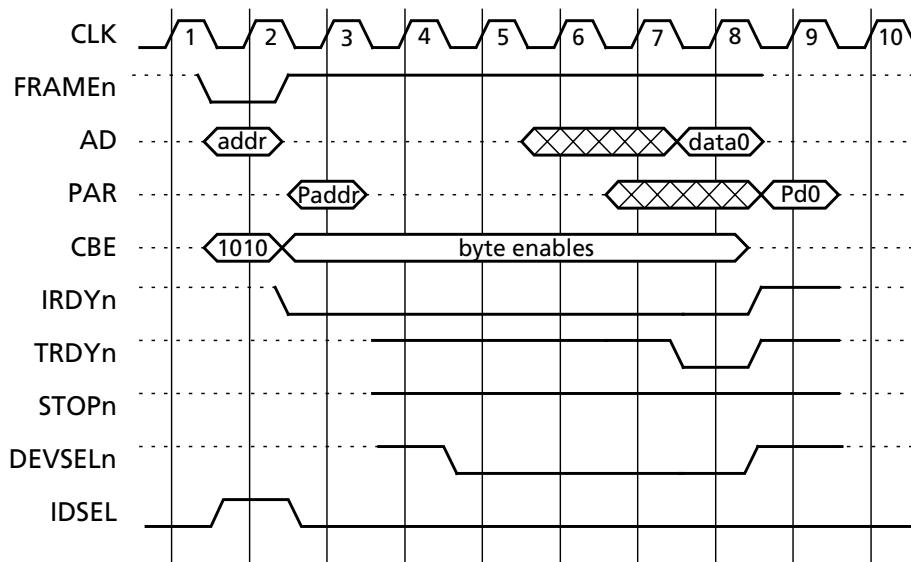
For PCI writes, the backend indicates that it is prepared to receive data by setting the WR_BE_RDY signal high. Valid data to the backend is qualified by the WR_BE_NOW bus. For PCI reads, the backend indicates that it is prepared to provide read data by setting the RD_BE_RDY signal. The PCI controller will respond on a following cycle with a RD_BE_NOW signal, which qualifies the read data. The data is then transferred to the PCI bus on the following cycle. In either the read or write case, the core will automatically increment the address.



Notes:

1. If the Target's IDSEL is asserted when FRAMEn is asserted and the command bus is '1011', then a configuration write cycle is indicated.
2. The Target claims the bus by asserting DEVSELn in cycle 4.
3. Data is registered into the device on the rising edge of cycle 5.
4. The single DWORD transfer completes when TRDYn is asserted in cycle 5 and de-asserted in cycle 6.

Figure 5 • Configuration Write Cycle



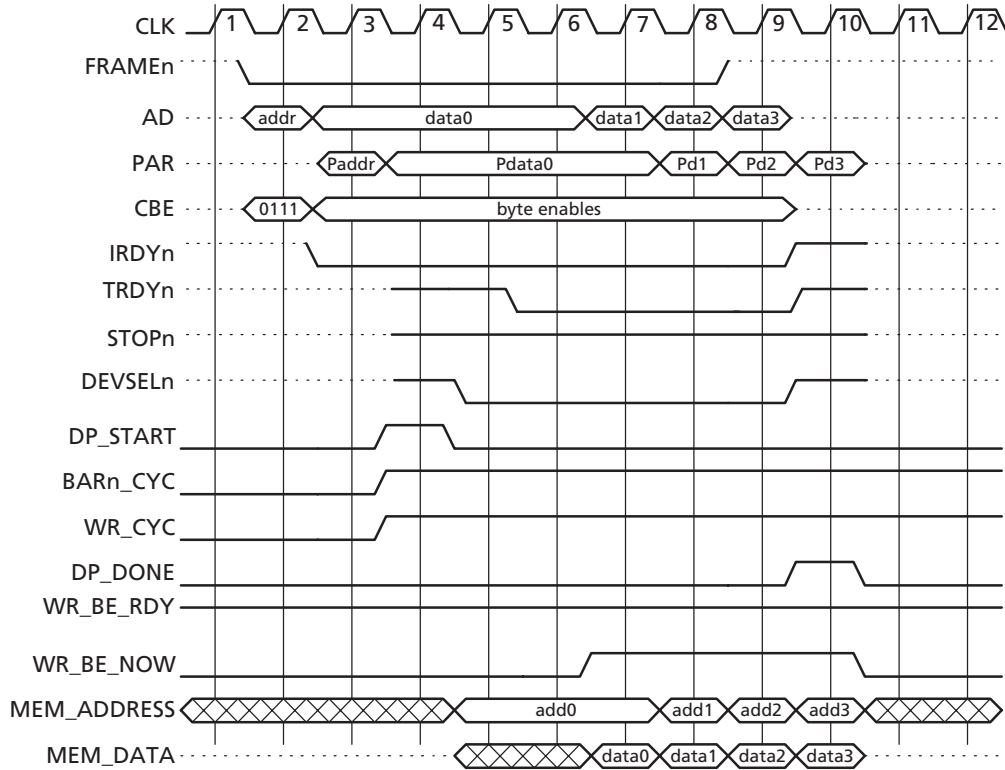
Notes:

1. If the Target's IDSEL is asserted when FRAMEn is asserted and the command bus is '1010', then a configuration read cycle is indicated.
2. The Target claims the bus by asserting DEVSELn in cycle 4.
3. During cycle 7, TRDYn is asserted and valid data is driven onto the PCI bus.
4. The single DWORD transfer completes when TRDYn is de-asserted in cycle 8.

Figure 6 • Configuration Read Cycle

In the case of a PCI read, the backend must prefetch the memory data in order to ensure continuity on long bursts. If prefetching causes a problem, for example in a FIFO, the backend logic should shadow the last two data

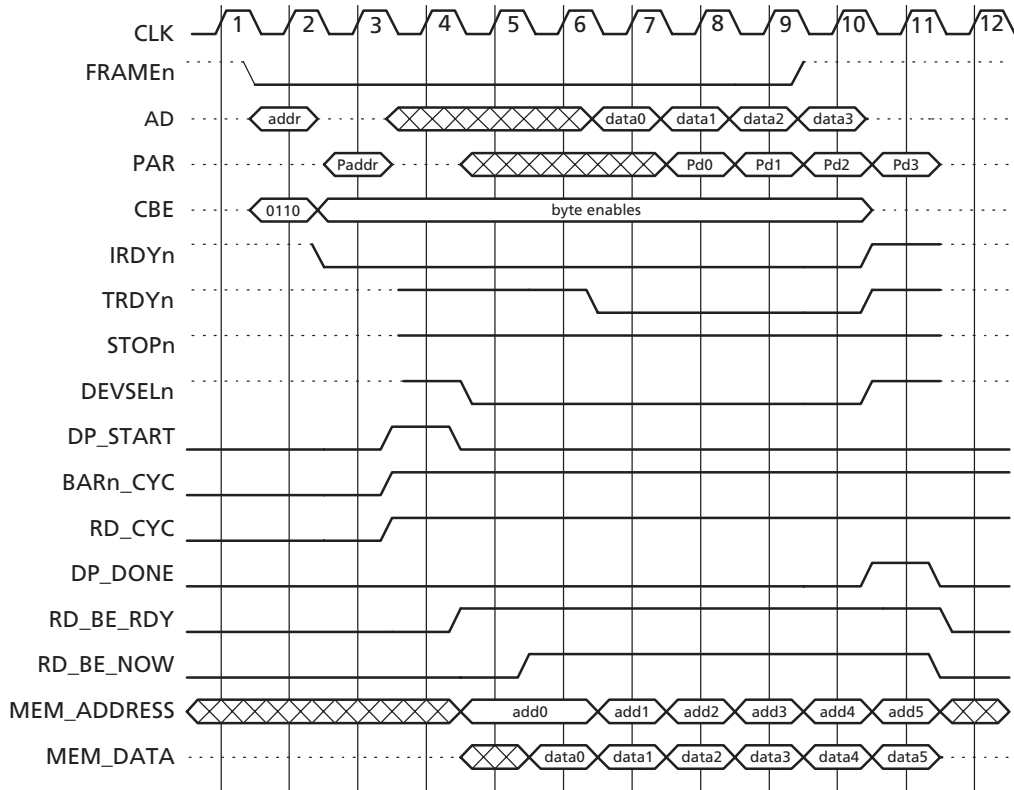
transactions. 32-bit zero-wait-state burst transfers are shown in Figure 7 on page 24 and Figure 8 on page 25. 64-bit zero-wait-state burst transfers are shown in Figure 9 on page 26 and Figure 10 on page 27.



Notes:

1. When FRAMEn is asserted and the command bus is '0111,' then a write to memory space is indicated.
2. The Target will compare the address to the programmed space set in the memory base address register.
3. If an address hit occurs, then the Target asserts DP_START in cycle 3 and claims the PCI bus by asserting DEVSELn in cycle 4.
4. Data transfer to the backend begins on the rising edge of cycle 7 and continues for each subsequent cycle until the PCI bus ends the data transfer.
5. The address will increment each cycle following an active RD_BE_NOW.
6. The PCI transaction completes when TRDYn is de-asserted in cycle 9 and completes on the backend in cycle 10.
7. For this case, the PIPE_FULL_CNT is set to "000" (See "Backend Latency Control" on page 31 for more information).

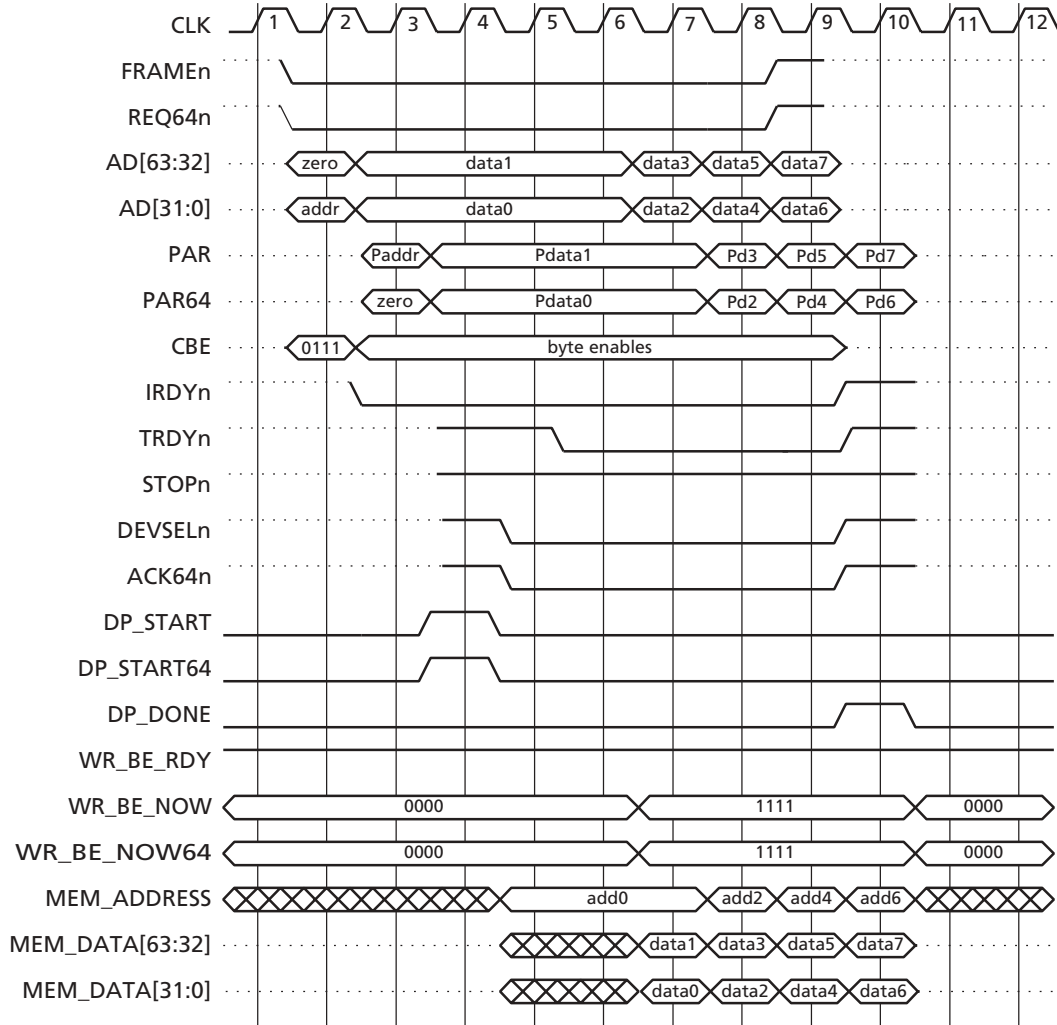
Figure 7 • 32-Bit Burst Write with Zero Wait States



Notes:

1. When FRAMEn is asserted and the command bus is '0110', then a read from memory space is indicated.
2. The Target will compare the address to the programmed space set in the memory base address register.
3. If an address hit occurs, then the Target asserts DP_START in cycle 3 and claims the PCI bus by asserting DEVSELn in cycle 4.
4. Data transfer from the backend begins on the rising edge of cycle 7 and continues for each subsequent cycle until the PCI bus ends the data transfer. The backend prefetches three DWORDs during zero-wait-state bursts.
5. The address will increment each cycle following an active RD_BE_NOW.
6. The PCI transaction completes when TRDYn is de-asserted in cycle 10.
7. For this case, the PIPE_FULL_CNT is set to "000" (See "Backend Latency Control" on page 31 for more information).

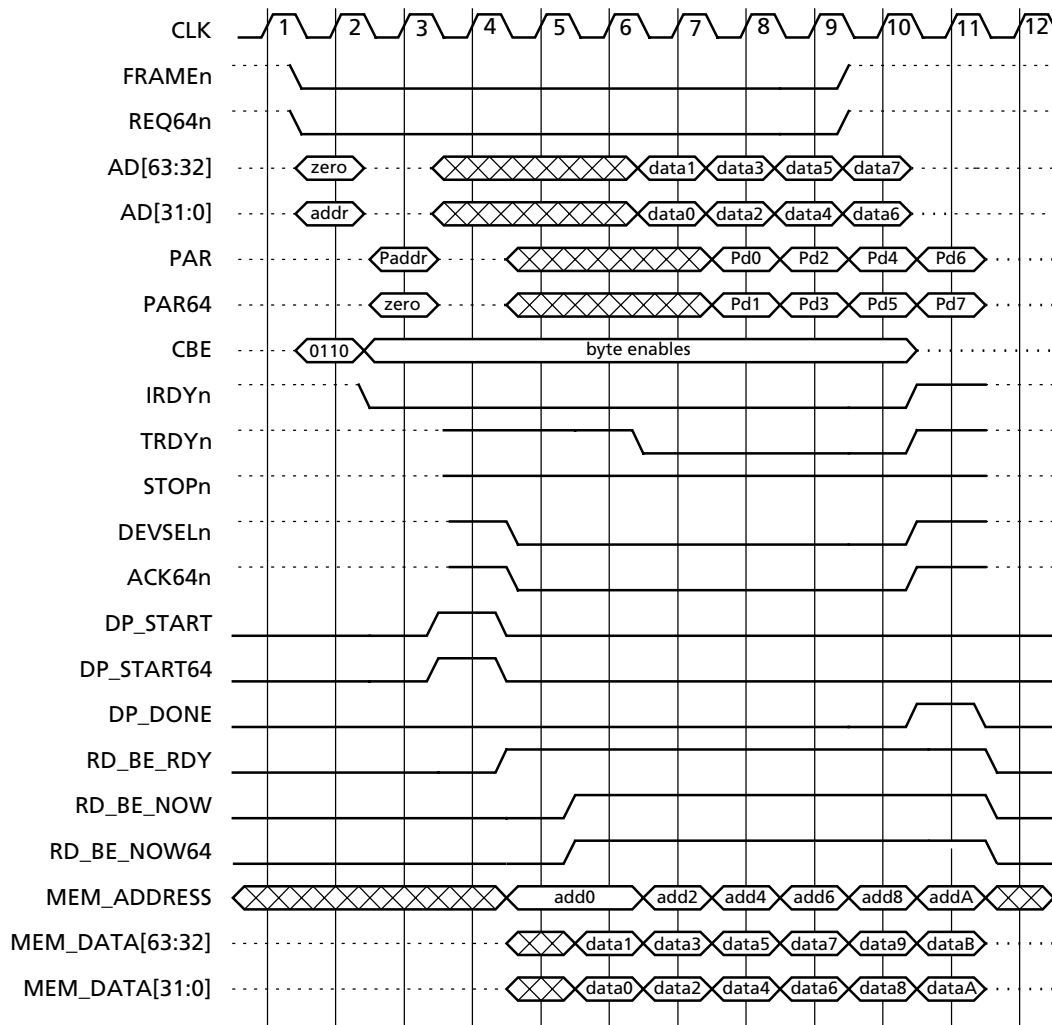
Figure 8 • 32-Bit Burst Read with Zero Wait States



Notes:

1. When FRAMEn and REQ64n is asserted and the command bus is '0111', then a 64-bit write to memory space is indicated.
2. The Target will compare the address to the programmed space set in the memory base address register.
3. If an address hit occurs, then the Target asserts DP_START and DP_START64 in cycle 3 and claims the PCI bus by asserting DEVSELn and ACK64n in cycle 4.
4. Data transfer to the backend begins on the rising edge of cycle 7 and continues for each subsequent cycle until the PCI bus ends the data transfer.
5. For 64-bit transfer, the MEM_ADDRESS will increment by 2 for each cycle.
6. The PCI transaction completes when TRDYn is de-asserted in cycle 10.
7. For this case, the PIPE_FULL_CNT is set to '000' (See "[Backend Latency Control](#)" on page 31 for more information).
8. See "[Backend Latency Control](#)" on page 31 for RD_CYC and BARn_CYC timing.

Figure 9 • 64-bit Burst Write with Zero Wait States



Notes:

1. When FRAMEEn and REQ64n is asserted and the command bus is '0110', then a 64-bit read from memory space is indicated.
2. The Target will compare the address to the programmed space set in the memory base address register.
3. If an address hit occurs, then the Target asserts DP_START and DP_START64 in cycle 3 and claims the PCI bus by asserting DEVSELn and ACK64n in cycle 4.
4. Data transfer from the backend begins on the rising edge of cycle 7 and continues for each subsequent cycle until the PCI bus ends the data transfer. The backend prefetches three DWORDs during zero-wait- state bursts.
5. For 64-bit transfers, the MEM_ADDRESS will increment by 2 each cycle.
6. The PCI transaction completes when TRDYn is de-asserted in cycle 10.
7. For this case, the PIPE_FULL_CNT is set to '000' (See "[Backend Latency Control](#)" on page 31 for more information).

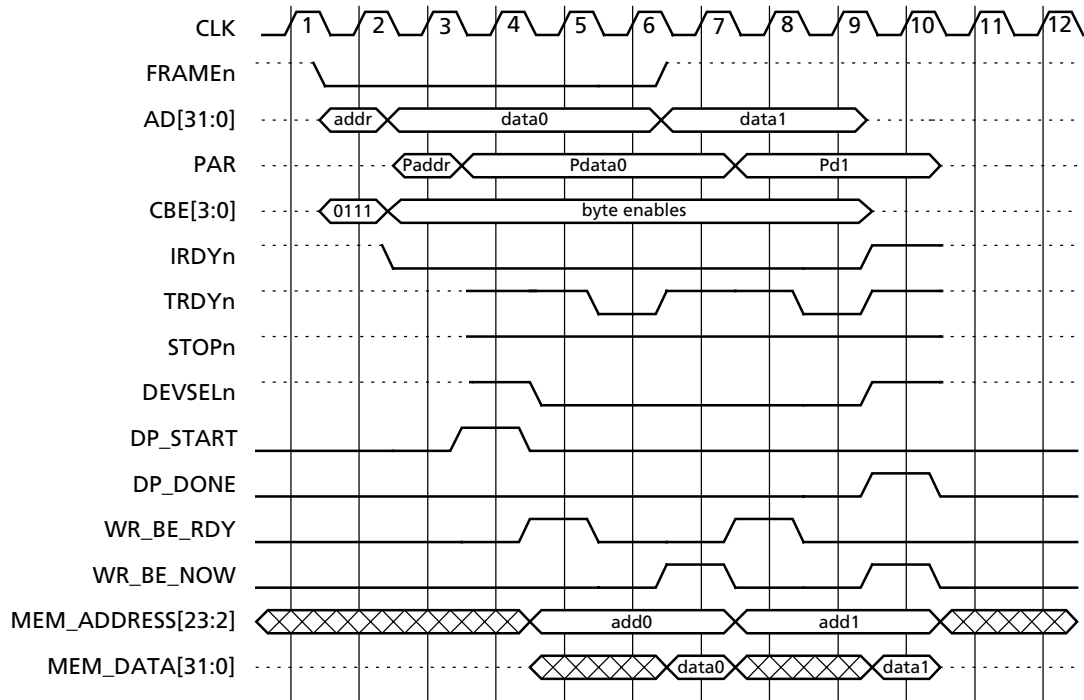
See "[Backend Latency Control](#)" on page 31 for RD_CYC and BARn_CYC timing.

Figure 10 • 64-bit Burst Read with Zero Wait States

Paced Transactions

Backend throttle transfers provide a handshake mechanism for supporting slow response devices. The backend transactions are paced using the RD_BE_RDY and WR_BE_RDY signals. These signals can be used to pace either single DWORD or burst transactions.

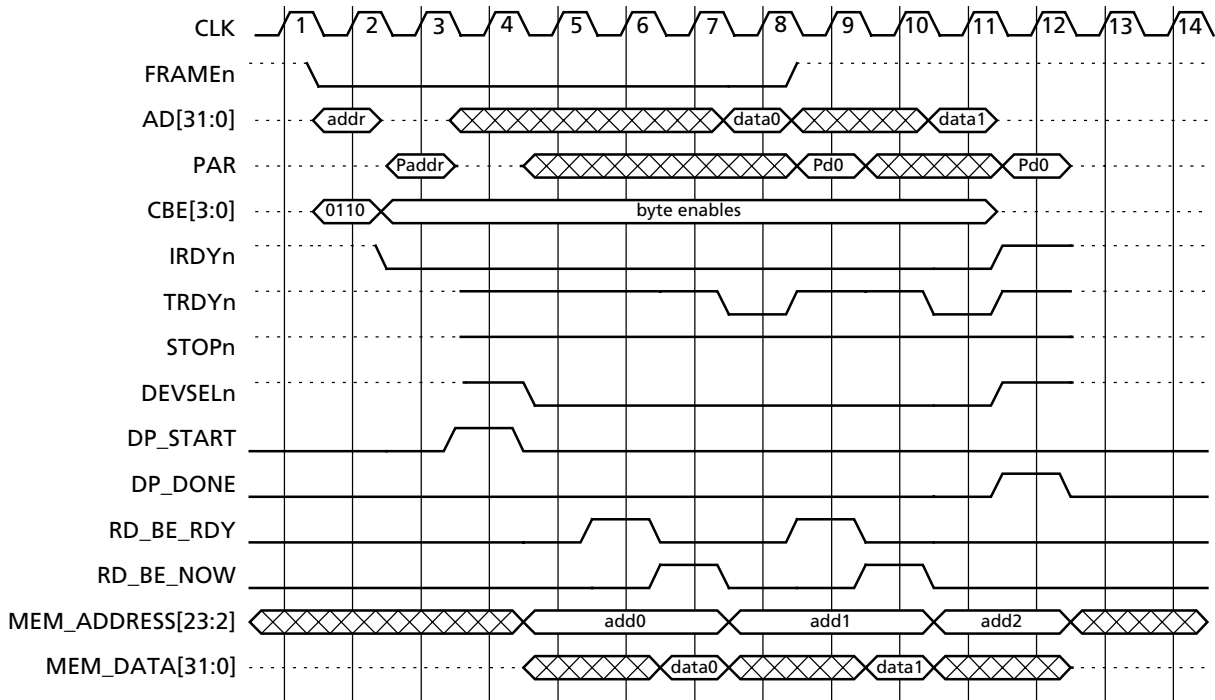
Figure 11 and Figure 12 on page 29 illustrate this mechanism for a backend that requires three cycles to respond to a read or write command from the PCI bus.



Notes:

1. The WR_BE_RDY can be asserted two cycles before the backend is ready to receive data.
2. The WR_BE_RDY signal is asserted on cycle 4 (cycle 7), causing the assertion of TRDYn on cycle 5 (cycle 8), completing the PCI write cycle. One cycle later, the data is available on the backend and is qualified by the WR_BE_NOW[3:0] bus.
3. The WR_BE_NOW[3:0] should not be assumed to happen at this time (cycle 6 or cycle 9) because it is also dependent on the state of IRDYn.
4. See Figure 7 on page 24 for WR_CYC and BARn_CYC timing.

Figure 11 • Write Using Backend Throttling



Notes:

1. The RD_BE_RDY can be asserted one cycle before the backend is ready to transmit data.
2. The RD_BE_RDY signal is asserted on cycle 5 (cycle 8) and will initiate assertion of RD_BE_NOW latching the data into the controller. The data transfer will complete when TRDYn is asserted on the following cycle 7 (cycle 10).
3. The RD_BE_NOW should not be assumed to happen at this time (cycle 6 or 9) because it is also dependent on the state of IRDYn.
4. See [Figure 8 on page 25](#) for RD_CYC and BARN_CYC timing.

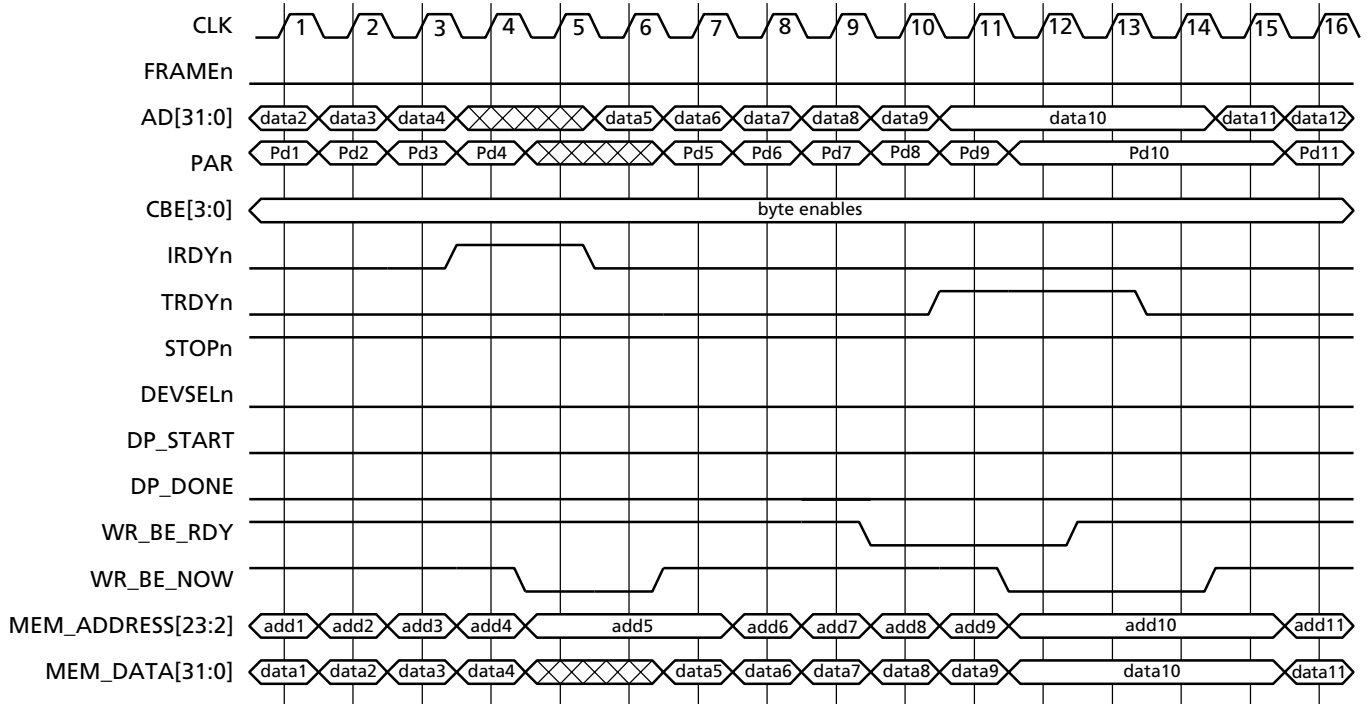
Figure 12 • Read Using Backend Throttling

Paused Transactions

During long bursts, either the backend controller or the PCI Master may insert wait states to accommodate some functional requirement. The PCI Master inserts wait states by de-asserting the IRDYn signal. The wait state is indicated to the backend by de-assertion of the WR_BE_NOW bus or the RD_BE_NOW signal.

The backend can insert wait states by de-assertion of the *_BE_RDY signals. These signals cause the Target

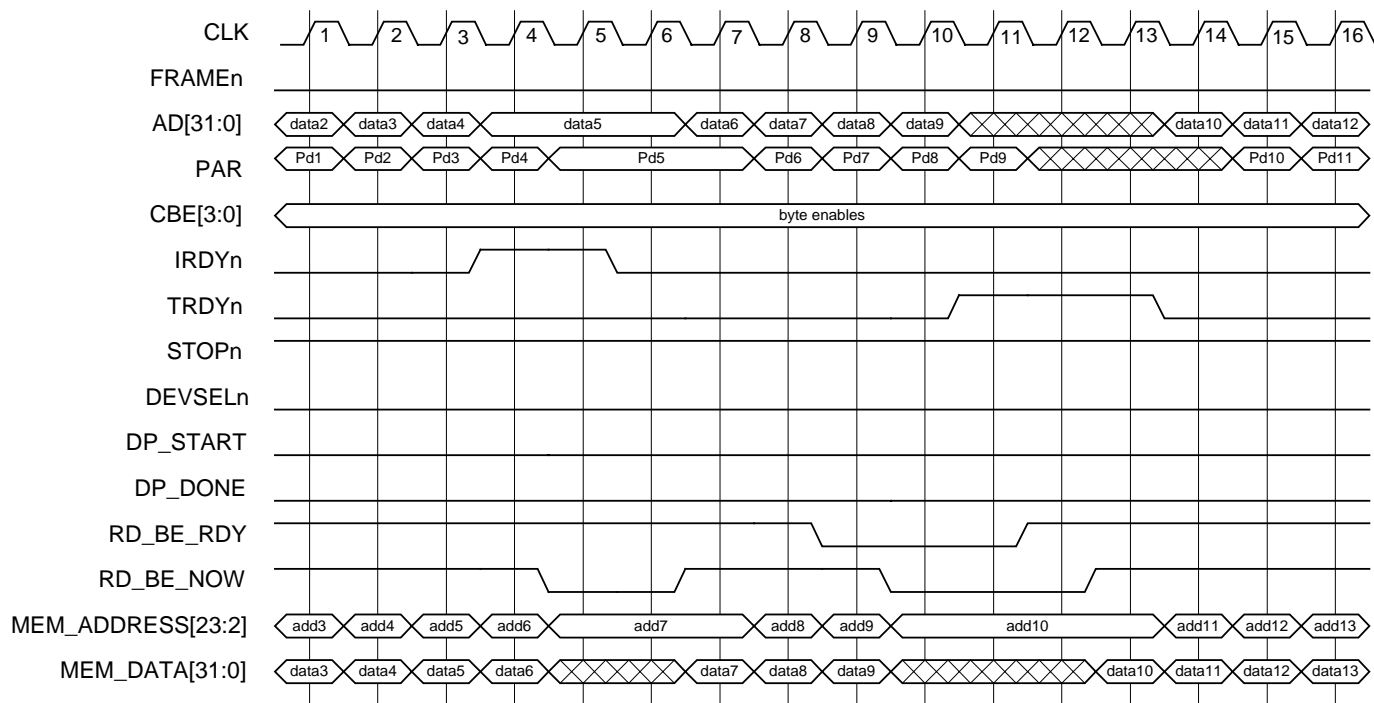
controller to de-assert TRDYn and insert wait states on the PCI bus. For writes, the backend must be prepared to accept up to two DWORDs of data prior to data transfer termination. For reads, the backend must be prepared to transmit one DWORD of data prior to data transfer termination. Paused transactions are shown in [Figure 13](#) and [Figure 14 on page 31](#).



Notes:

1. In the example, the flow of data is interrupted from the PCI Master de-assertion of IRDYn in cycle 3. The PCI Master inserts two wait states. This state of the PCI bus is defined to the backend by de-asserting the WR_BE_NOW[3:0] bus one cycle later.
2. The backend can also interrupt the flow of data by de-asserting the WR_BE_RDY signal. One cycle later, TRDYn is de-asserted, halting the flow of data on the PCI bus. The backend must accept two DWORDs of data following de-assertion of the WR_BE_RDY signal.

Figure 13 • PCI Write Illustrating both IRDYn and TRDYn De-Assertion



Notes:

1. In the example, the PCI Master interrupts the flow of data by de-asserting the IRDYn sign in cycle 4. One cycle later, RD_BE_NOW signal becomes inactive indicating that the backend should stop supplying data.
2. The backend can also interrupt the flow of data by de-asserting the RD_BE_RDY signal. The backend should be prepared to provide one additional DWORD of data to the PCI bus prior to halting the data flow. One cycle after RD_BE_RDY is de-asserted, the RD_BE_NOW signal is driven inactive, which is then followed by the de-assertion of TRDYn.

Figure 14 • PCI Read Illustrating both IRDYn and TRDYn De-Assertion

Backend Latency Control

Some backends require the address to be available at least one cycle prior to data being valid. This is true for most synchronous backends. In order to support this need, CorePCI provides the PIPE_FULL_CNT control bus to the backend. This bus can be used to define the relative delay between address and data. When the PIPE_FULL_CNT is set to '000', the address will be expected to be coincident with the data and the data should be valid whenever the *NOW lines are asserted.

When PIPE_FULL_CNT is set to a non-zero value, then the operation of the backend is as follows:

- The backend asserts the *RDY signal.
- The *NOW signal will assert, and the address will begin incrementing. However, the data is not expected to be valid until N cycles after the value defined on the PIPE_FULL_CNT bus.
- Once the initial time-out occurs, valid data must be available whenever the *NOW signal is asserted.

Figure 15 is an example of this function for a read cycle with the PIPE_FULL_CNT set to '001'.

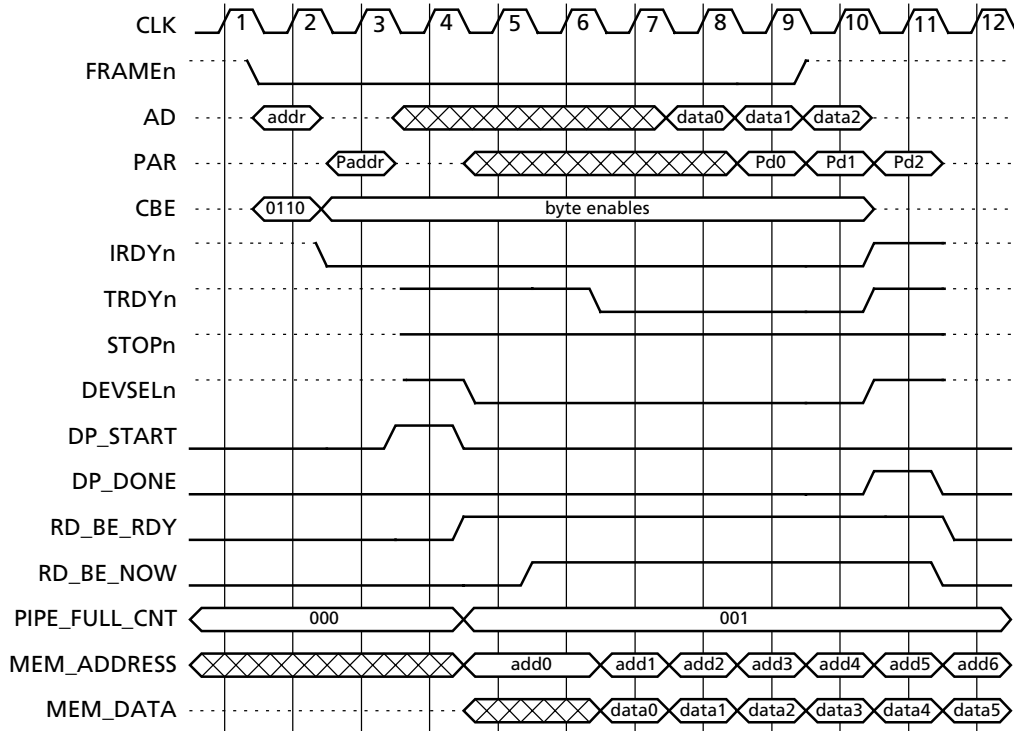
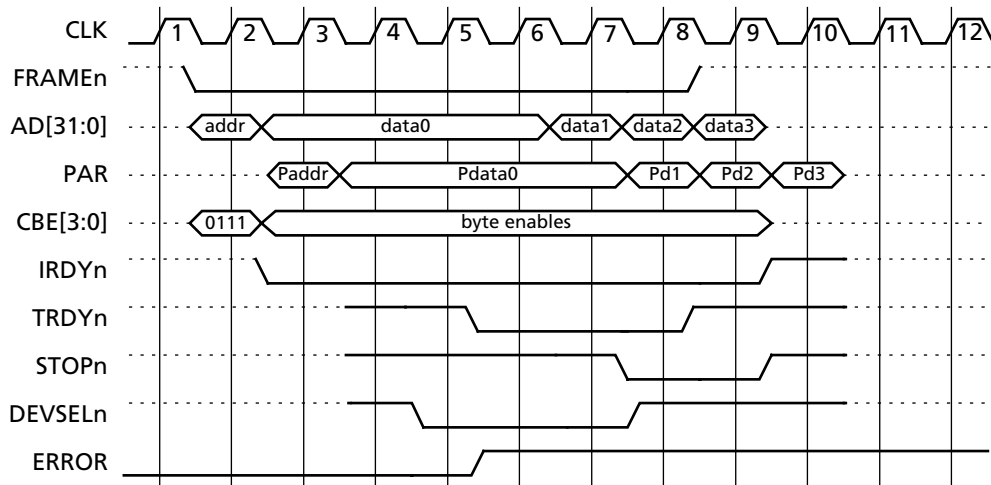


Figure 15 • Backend Latency Read Transaction

Target Abort

The backend may cause a target abort (Figure 16) by asserting the ERROR input. The ERROR input will cause a Target abort, which is defined by the Target simultaneously asserting the STOPn signal and de-asserting the DEVSELn signal.



Notes:

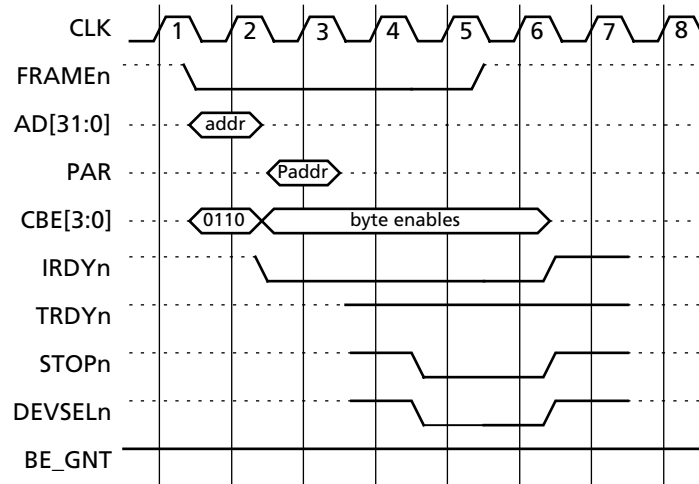
1. During a PCI cycle, the backend ERROR signal indicates that a problem occurred on the backend such that the transfer cannot be completed.
2. The Target initiates a Target abort by asserting STOPn and de-asserting DEVSELn in the same cycle.
3. The Master will begin cycle termination by de-asserting FRAMEn first, and then IRDYn on a subsequent cycle.
4. The transaction completes when STOPn is de-asserted in cycle 9.
5. The *_BE_RDY signal should be de-asserted whenever the ERROR signal is asserted.

Figure 16 • Target Abort Cycle

Target Retry and Disconnect

When the backend is busy or unable to provide the data requested, the Target controller will respond with either a retry or a disconnect cycle. If the backend has arbitrated for control of the backend bus and the BE_GNT signal is active, then the controller will respond with a retry cycle (Figure 17). The Target indicates that it is unable to respond by asserting STOPn and DEVSELn simultaneously.

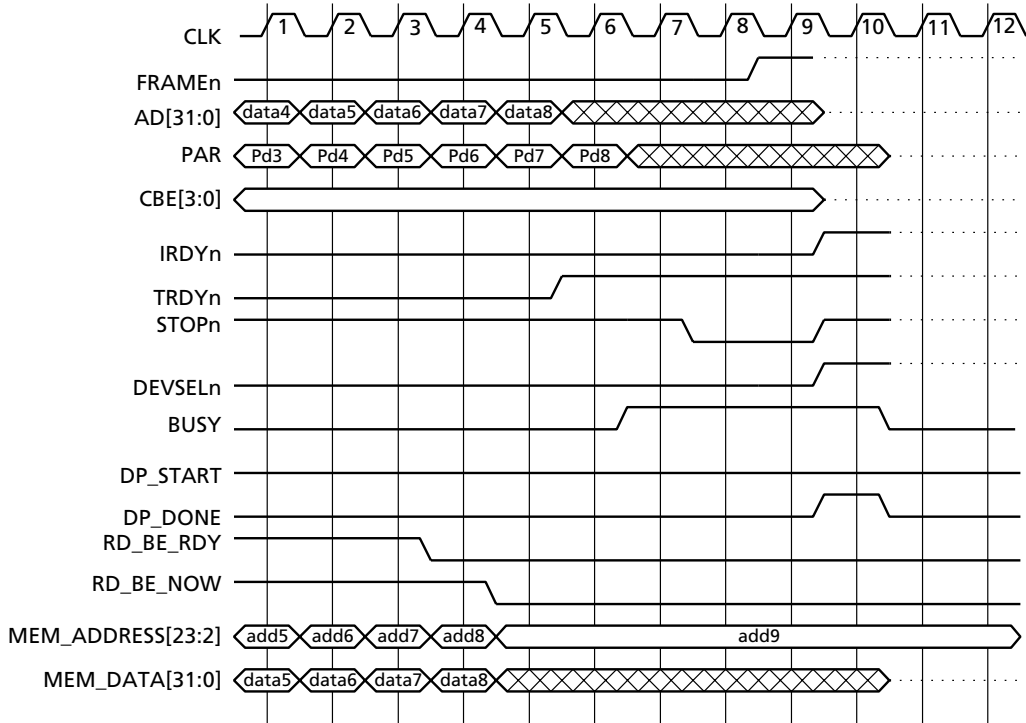
During a regular PCI transfer, the RD_BE_RDY and WR_BE_RDY indicate that data is available to be received from or transmitted to the backend. If, during a PCI cycle, the backend becomes unable to read or write data, then the *_RD_RDY signals are de-asserted. After several cycles, a PCI time-out will occur and the Target controller will initiate a Target disconnect without data cycle (Figure 18 on page 34).



Notes:

1. If BE_GNT or BUSY are asserted at the beginning of a cycle, then a retry is initiated.
2. The Target simultaneously asserts the STOPn and DEVSELn signals without asserting the TRDYn signal.
3. The Master will begin cycle termination by de-asserting FRAMEn first and then IRDYn on a subsequent cycle.

Figure 17 • Target Retry



Notes:

1. During a normal PCI transaction, the backend reaches a point where it is unable to deliver data and de-asserts RD_BE_RDY.
2. If the backend cannot deliver new data within 8 cycles, then it should assert the BUSY signal.
3. The Target initiates a disconnect by asserting the STOPn signal.
4. The Master will begin cycle termination by de-asserting FRAMEn first, and then IRDYn on a subsequent cycle.

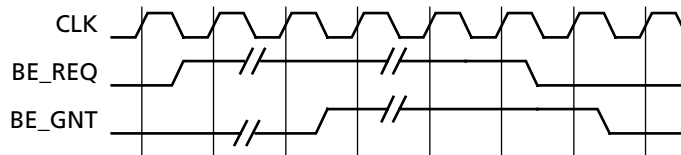
Figure 18 • Target Disconnect Without Data

Backend Arbitration

When the backend needs to take control of the backend bus, it should arbitrate for control using the BE_REQ and BE_GNT handshake signals (Figure 19 on page 34).

Interrupt

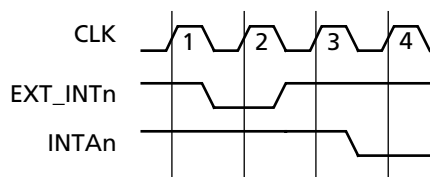
To initiate an interrupt, the backend needs to assert the EXT_INTn input (Figure 20 on page 35). Two cycles later the PCI INTAn interrupt signal will assert.



Notes:

1. Arbitration begins by the backend asserting the BE_REQ signal. The Target Controller will grant control as soon as the PCI controller goes into an IDLE state.
2. The backend will maintain control as long as the BE_REQ signal remains active.
3. To relinquish control, the backend will de-assert the BE_REQ and BE_GNT will de-assert on the following cycle.

Figure 19 • Backend Arbitration Cycle

**Notes:**

1. The EXT_INTn signal is sampled on the rising edge of each clock.
2. If the EXT_INTn signal is asserted and sampled in cycle 2, then the PCI INTAn signal will be asserted in cycle 3.

Figure 20 • Interrupt

PCI Master Transactions

To perform Master transfers for Master only, Target+DMA, and Target+Master functions, CorePCI controller has three configuration registers used to set addresses, transfer length, control, and check status of the transfer. A basic sequence of events for executing a DMA or Master transfer is as follows:

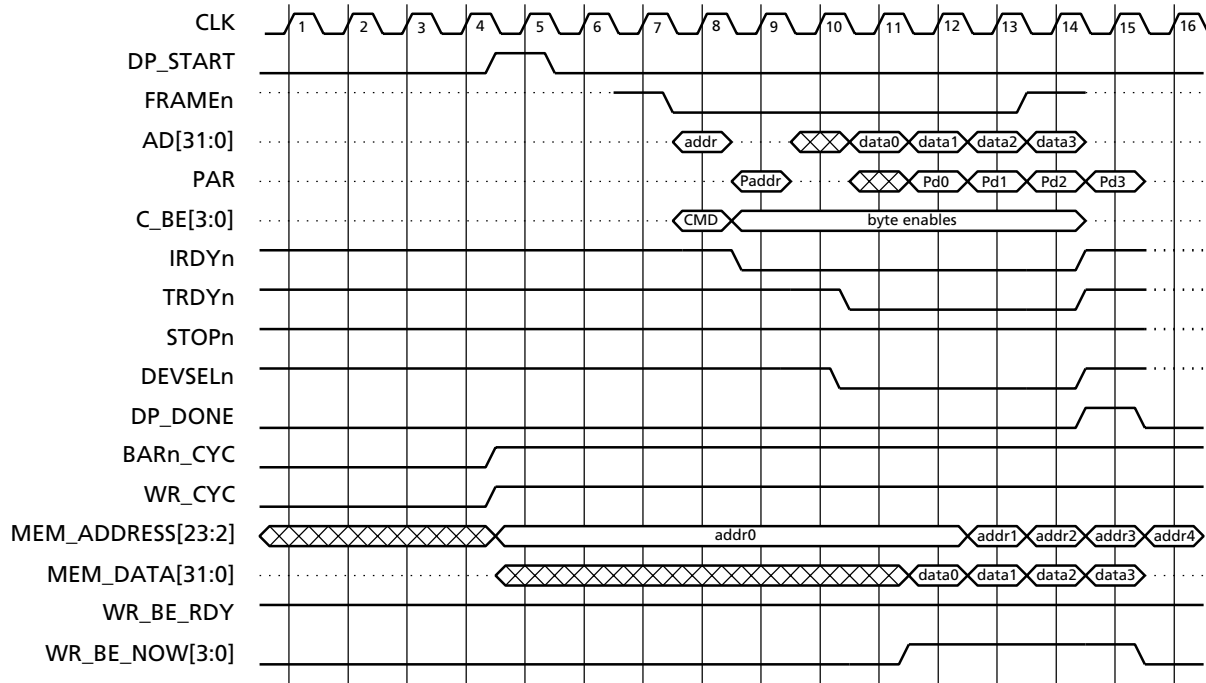
1. Write the location of the desired PCI address into the PCI Start Address register.
2. Write the location of the backend memory location into the RAM Start Address register.
3. Set the direction of the transfer using bit 3 of the DMA Control Register.

4. Define the transfer length using bits 27–16 in the DMA Control register. The length can be from a single DWORD up to 1,024 DWORDs. The transfer length value should be all zeros for 1,024 DWORDs.
5. Initiate the transfer by setting the DMA request, and enable bits 4 and 5 in the DMA Control register.
6. At completion, bit 1 in the DMA Control register is set to a '1'.

PCI DMA Read

DMA reads begin with arbitration for control of the PCI bus. The PCI request and grant signals are used to arbitrate Master access to the bus. Once control is granted to the core, the core begins by asserting FRAME_n, the address on the AD bus, and the command '0110' on the CBE bus. A DMA read fetches data from the PCI bus and writes data to the backend memory. The core asserts IRDY_n and then waits for the addressed Target to provide the data indicated by TRDY_n assertion. The transfer continues until the DMA transfer length is reached. The waveforms shown in [Figure 21 on page 36](#) depict the action of the core when it operates as a DMA Master in a zero-wait-state read transfer.

For DMA transactions, either zero-wait-state transfers or paced transfers can be used. During DMA transactions, these two transfer modes function identically, as they do in a Target-only transaction.

**Notes:**

1. Once CorePCI is granted the PCI bus, the core asserts DP_START and begins the process of enabling the bus to drive FRAMEEn.
2. The PCI address and command are valid at the same time that FRAMEEn is driven low.
3. Once FRAMEEn is driven, if the backend is prepared to supply data, then IRDYn is asserted on the following cycle. The core can store up to two DWORDs of data. If the Target has not responded with a TRDYn when the second DWORD is read, then the core will cease reading as indicated by the RD_BE_NOW signal de-asserting.
4. The core then waits for the Target to complete the transfer by asserting TRDYn.
5. The transfer continues until either the transfer count is exhausted or the Target disconnects.
6. Cycle termination is initiated by driving FRAMEEn high.
7. The number of clock cycles from DP_START to FRAMEEn assertion can be increased by asserting STALL_MASTER.

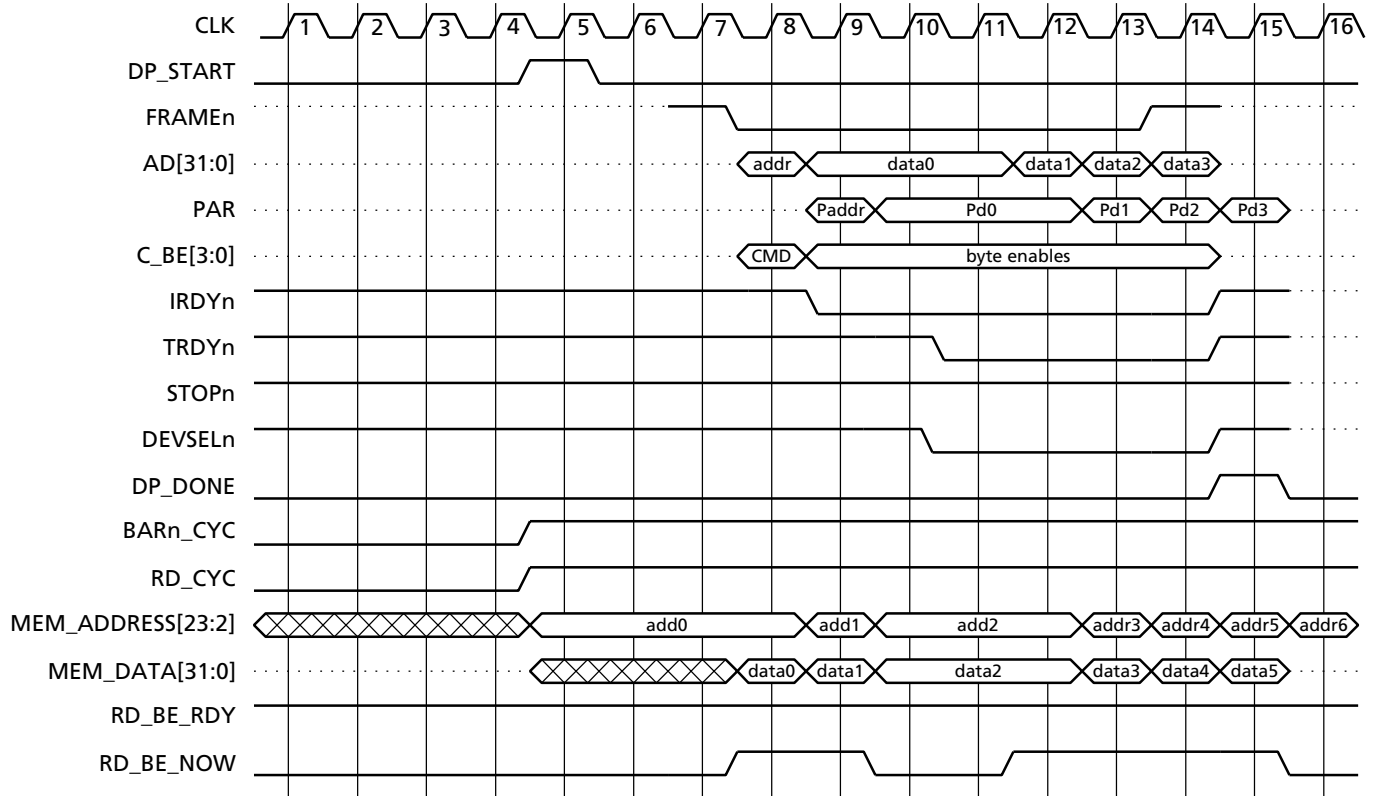
Figure 21 • Zero-Wait-State Master DMA Read (Read from the PCI Bus)

PCI DMA Write

A DMA write begins by the core requesting control of the bus. Once the bus is granted (GNTn asserted), the core will initiate the transfer by asserting FRAMEEn. A DMA write reads information from RAM and writes information onto the PCI bus. The backend begins fetching data and when data is available, the datapath pipe fills and data flows onto the PCI bus. At that point, IRDYn is asserted and the burst transfer begins. The transfer is terminated once the DMA transfer length is

reached. [Figure 22 on page 37](#) shows the zero-wait-state burst write transfer.

To control the Master-only core, four backend signals have been added. The new signals are CS_CONTROLn, RD_CONTROLn, WR_CONTROLn and CONTROL_ADD(1:0). [Figure 25](#) and [Figure 26 on page 39](#) show how these signals are used to read and write the DMA control registers, which in turn initiates PCI cycles.



Notes:

1. Once CorePCI is granted the PCI bus, the core asserts DP_START and begins the process of enabling the bus to drive FRAMEn.
2. The PCI address and command are valid at the same time that FRAMEn is driven low.
3. Once FRAMEn is driven, if the backend is prepared to supply data, then IRDYn is asserted on the following cycle. The core can store up to two DWORDs of data. If the Target has not responded with a TRDYn when the second DWORD is read, then the core will cease reading as indicated by the RD_BE_NOW signal de-asserting.
4. The core then waits for the Target to complete the transfer by asserting TRDYn.
5. The transfer continues until either the transfer count is exhausted or the Target disconnects.
6. Cycle termination is initiated by driving FRAMEn high.
7. The number of clock cycles from DP_START to FRAMEn assertion can be increased by asserting STALL_MASTER.

Figure 22 • Zero-Wait-State DMA Master Write (Write to the PCI Bus)

Backend Control of DMA Activity

The core provides two signals, `BUSY_MASTER` and `STALL_MASTER`, that can be used to control the DMA transfers. `BUSY_MASTER` allows a DMA transfer to be stopped, and `STALL_MASTER` allows for slow backends to meet the FRAME-to-IRDY assertion requirement for PCI.

If the backend asserts `BUSY_MASTER` when a DMA transfer is taking place, the core will stop the DMA

transfer as soon as possible, as shown in Figure 22a. Due to PCI protocol requirements the core may need to transfer an additional two words after `BUSY_MASTER` has been asserted. The core will not restart the DMA transfer until `BUSY_MASTER` has been de-asserted. The backend may assert `BE_REQ` at the same time, and when `BE_GNT` is asserted may access the DMA control registers. The backend can then clear the DMA request bit in the control register to cancel the rest of the DMA transfer.

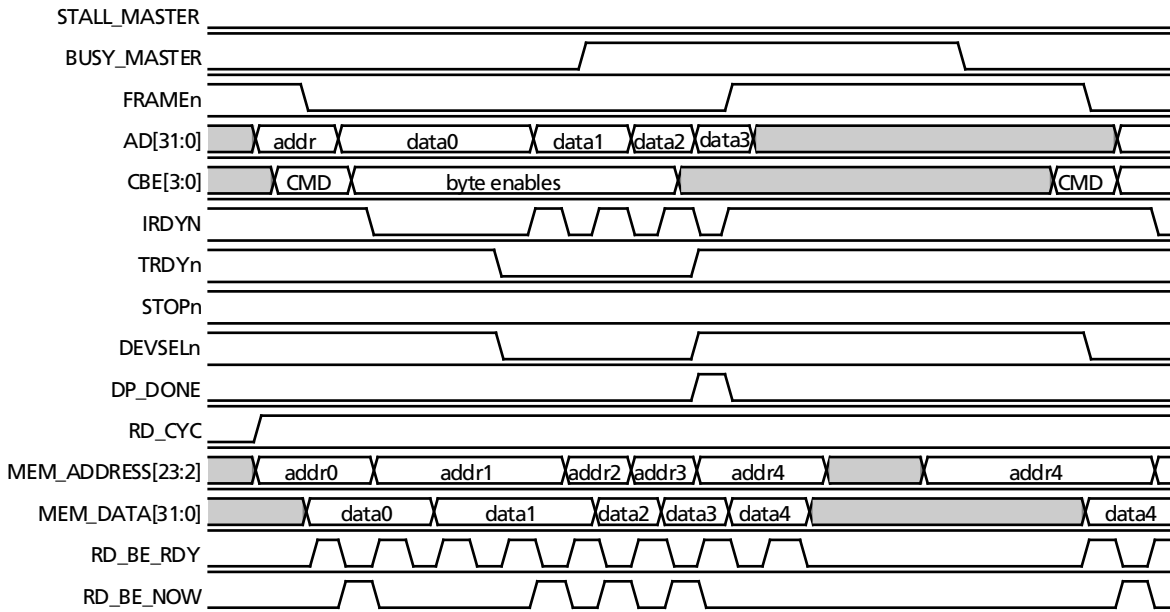


Figure 23 • DMA Master with `BUSY_MASTER` Asserted

When a DMA backend read cycle is started the core will start a backend read cycle by asserting `DP_START` and two cycles later assert `FRAME`. Once `FRAME` is asserted the PCI specification requires that the core assert `IRDY` within 8 clock cycles. The core cannot assert `IRDY` until the backend has asserted `RD_BE_RDY`. If the backend

asserts `RD_BE_RDY` after 7 clock cycles, the core will violate the PCI `FRAME` to `IRDY` assertion timing. In this situation the backend should assert `STALL_MASTER` until it can assert `RD_BE_RDY`, this will delay the core-asserting `FRAME` until data is ready, causing the `FRAME` to `IRDY` delay to be less than 8 clock cycles.

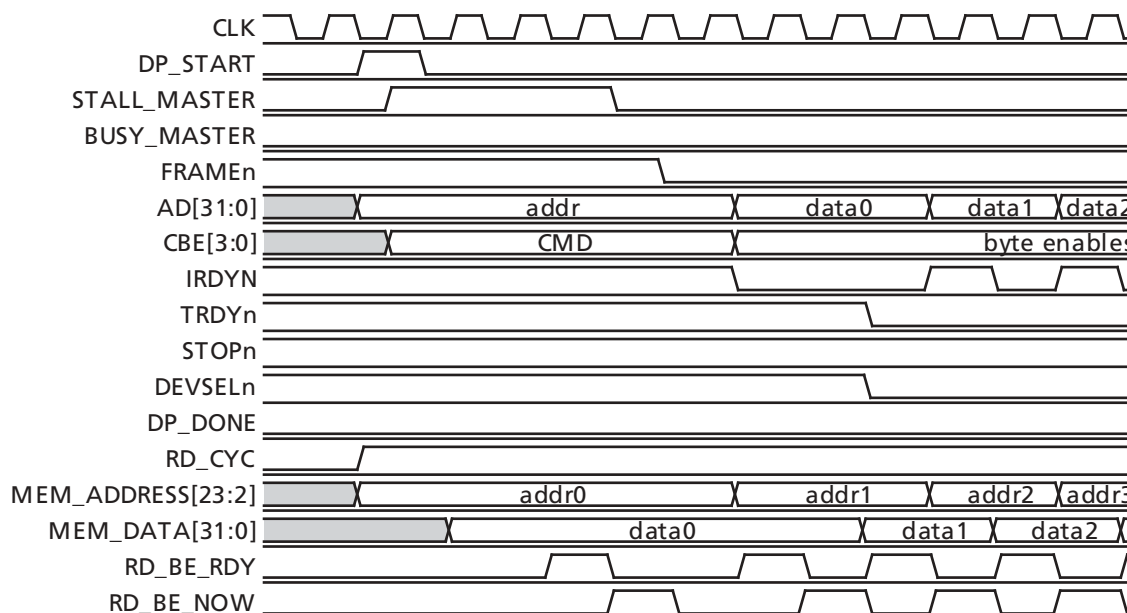


Figure 24 • DMA Master with STALL_MASTER Asserted

When STALL_MASTER is active (see Figure 24), the core does not immediately assert FRAME and the PCI bus is idle. It is possible for the PCI GNT to go away; in this case the core will stop the PCI transfer and assert DP_END.

Accessing the DMA Registers from the Backend

A write to the DMA register is accomplished by asserting CS_CONTROLn, WR_CONTROLn, valid address, and valid data at the same time. Registers can be updated one at a time or in bursts by changing the address and data while keeping CS_CONTROLn and WR_CONTROLn asserted (Figure 25).

Reads from the DMA are pipelined with two cycles of delay between valid address and valid data. To enable the output drivers, both CS_CONTROLn and RD_CONTROLn must be driven low (Figure 26).

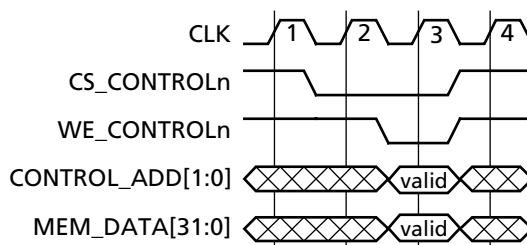


Figure 25 • Backend Write to a DMA Register

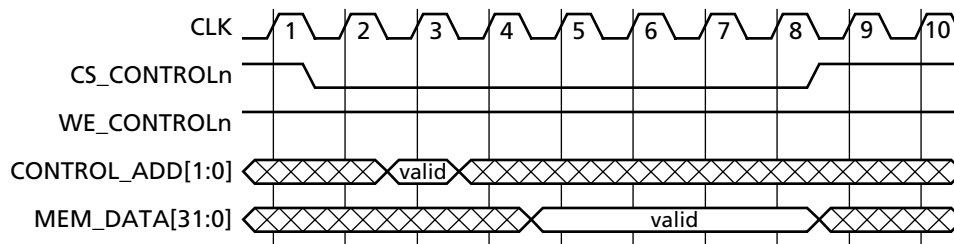


Figure 26 • Backend Read from a DMA Register

Ordering Information

CorePCI v5.41 can be ordered through your local Actel sales representative. It should be ordered using the following numbering scheme; CorePCI-XX where XX corresponds to one of the variables in [Table](#) .

Table 23 • Ordering Codes

XX	Description
EV	Evaluation Version
SN	Netlist for single-use on Actel devices
AN	Netlist for unlimited use on Actel devices
SR	RTL for single-use on Actel devices
AR	RTL for unlimited use on Actel devices
UR	RTL for unlimited use and not restricted to Actel devices

List of Changes

The following table lists critical changes that were made in the current version of the document.

Previous Version	Changes in Current Version (v4.0)	Page
v4.0	ProASIC3/E data was added.	–

Datasheet Categories

In order to provide the latest information to designers, some datasheets are published before data has been fully characterized. Datasheets are designated as "Product Brief," "Advanced," and "Production." The definitions of these categories are as follows:

Product Brief

The product brief is a summarized version of an advanced or production datasheet containing general product information. This brief summarizes specific device and family information for unreleased products.

Advanced

This datasheet version contains initial estimated information based on simulation, other products, devices, or speed grades. This information can be used as estimates, but not for production.

Unmarked (production)

This datasheet version contains information that is considered to be final.

Actel and the Actel logo are registered trademarks of Actel Corporation.
All other trademarks are the property of their owners.



<http://www.actel.com>

Actel Corporation

2061 Stierlin Court
Mountain View, CA
94043-4655 USA

Phone 650.318.4200
Fax 650.318.4600

Actel Europe Ltd.

Dunlop House, Riverside Way
Camberley, Surrey GU15 3YL
United Kingdom

Phone +44 (0) 1276 401 450
Fax +44 (0) 1276 401 490

Actel Japan

EXOS Ebisu Bldg. 4F
1-24-14 Ebisu Shibuya-ku
Tokyo 150 Japan

Phone +81.03.3445.7671
Fax +81.03.3445.7668

Actel Hong Kong

39th Floor, One Pacific Place
88 Queensway, Admiralty
Hong Kong

Phone +852.227.35712
Fax +852.227.35999