

Model 3VTN460

3 Phase Voltage Transformer For Line to Neutral Connection

Frequency

60 Hz.

Standard Secondary Voltage

120 Volts line-to-neutral

Insulation Level

600 Volt, 10 kV BIL full wave.

Accuracy Class: (Per Phase)

0.6 W, 1.2 X at 60 Hz.

Thermal Rating: (Per Phase)

150 VA at 30 °C. amb.,
100 VA at 55 °C. amb.

The primary and secondary terminals are No. 8-32 screws into 1/2" deep brass inserts and fitted with one lockwasher and flatwasher.

Approximate weight 24 lbs.



Clear Plastic Cover

REGULATORY AGENCY APPROVALS



Manufactured to meet the requirements of ANSI/IEEE C57.13.
Classified by U.L. in accordance with IEC 44-1

Model 3VTN460

Catalog Number		Line to Neutral Voltage Rating	Turns Ratio	Rec. Primary Fuse Rating
Primary Fuses Only	Primary and Secondary Fuses			
3VTN460-069F*	3VTN460-069FF*	69.3:120	0.58:1	5.0
3VTN460-120F*	3VTN460-120FF*	120:120	1:1	4.0
3VTN460-240F*	3VTN460-240FF*	240:120	2:1	2.0
3VTN460-277F*	3VTN460-277FF*	277:120	2.31:1	2.0
3VTN460-300F*	3VTN460-300FF*	300:120	2.5:1	1.5
3VTN460-346F*	3VTN460-346FF*	346:120	2.88:1	1.5

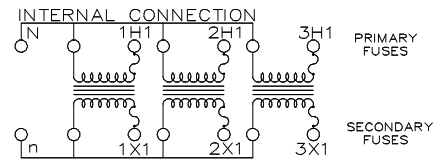
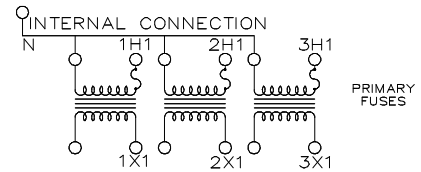
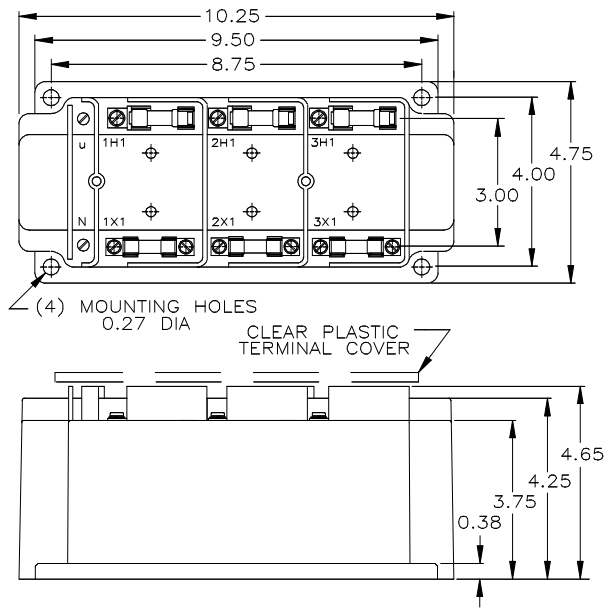
* Fuse Ordering

Insert F after primary voltage rating for primary fuses, insert FF after primary voltage rating for primary and secondary fuses.



Model 3VTN460

- Model 3VTN460 is an assembly of three transformers in one case.
- The core and coil assembly is encased in a thermoplastic shell and filled with resin
- These transformers are designed for operation line to neutral.
- Spacing between live parts per U.L. 1558.
- Primary fuses are current limiting, 200kA interrupting capacity, incorporating a rejection feature, typically (class CC) KTK—R type.
- It is desirable to use a 1.6 amp BBS type or equal fuse in the secondary to protect the transformer.
- Only ground N/n terminals if source is 3 phase, 4 wire effectively grounded.
- See page 7 of this section for a circle diagram for the estimation of the errors for other than rated burdens. See page 27 in this section for a description of its use.
- The transformer has a clear plastic cover.



GEGridSolutions.com

Grid-AIS-L4-ITL_Model_3VTN460-1412-2017_10-EN. © Copyright 2017. General Electric Company and Instrument Transformers LLC reserve the right to change specifications of described products at any time without notice and without obligation to notify any person of such changes.

Worldwide Contact Center

Web: www.GEGridSolutions.com/contact

Phone: +44 (0) 1785 250 070

USA and Canada: +1 (0) 800 547 8629

Europe, Middle East and Africa: +34 (0) 94 485 88 00

