

## LIN Transceiver with Voltage Regulator

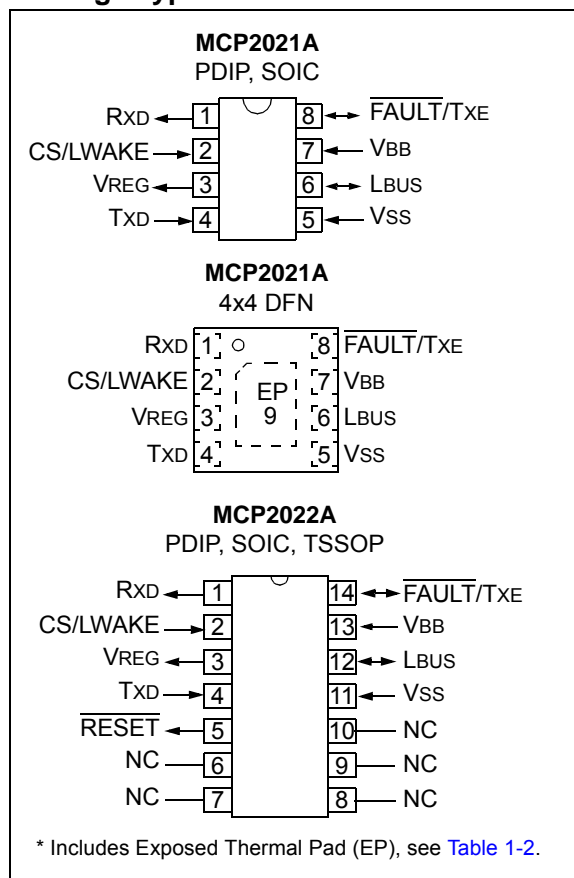
### Features:

- The MCP2021A/2A are compliant with LIN Bus Specifications Version 1.3, 2.1 and with SAE J2602-2
- Support Baud Rates up to 20 kBaud
- 43V Load Dump Protected
- Maximum Continuous Input Voltage: 30V
- Wide LIN-Compliant Supply Voltage: 6.0 – 18.0V
- Extended Temperature Range: -40 to +125°C
- Interface to PIC® MCU EUSART and Standard USARTs
- Wake-Up on LIN Bus Activity or Local Wake Input
- Local Interconnect Network (LIN) Bus Pin:
  - Internal Pull-Up Termination Resistor and Diode for Slave Node
  - Protected Against VBAT Shorts
  - Protected Against Loss of Ground
  - High-Current Drive
- TXD and LIN Bus Dominant Time-Out Function
- Two Low-Power Modes:
  - Transmitter Off: 90 µA (typical)
  - Power Down: 4.5 µA (typical)
- Output Indicating Internal Reset State (POR or Sleep Wake)
- MCP2021A/2A On-Chip Voltage Regulator:
  - Output Voltage of 5.0V or 3.3V at 70 mA Capability with Tolerances of ±3% Over the Temperature Range
  - Internal Short Circuit Current Limit
  - External Components Limited to Filter Capacitor and Load Capacitor
- Automatic Thermal Shutdown
- High Electromagnetic Immunity (EMI), Low Electromagnetic Emission (EME)
- Robust ESD Performance: ±15 kV for LBUS and VBB pin (IEC61000-4-2)
- Transient Protection for LBUS and VBB Pins in Automotive Environment (ISO7637)
- Meets Stringent Automotive Design Requirements, including “OEM Hardware Requirements for LIN, CAN and FlexRay Interfaces in Automotive Applications”, Version 1.2, March 2011
- Multiple Package Options, including Small 4x4 mm DFN Package

### Description:

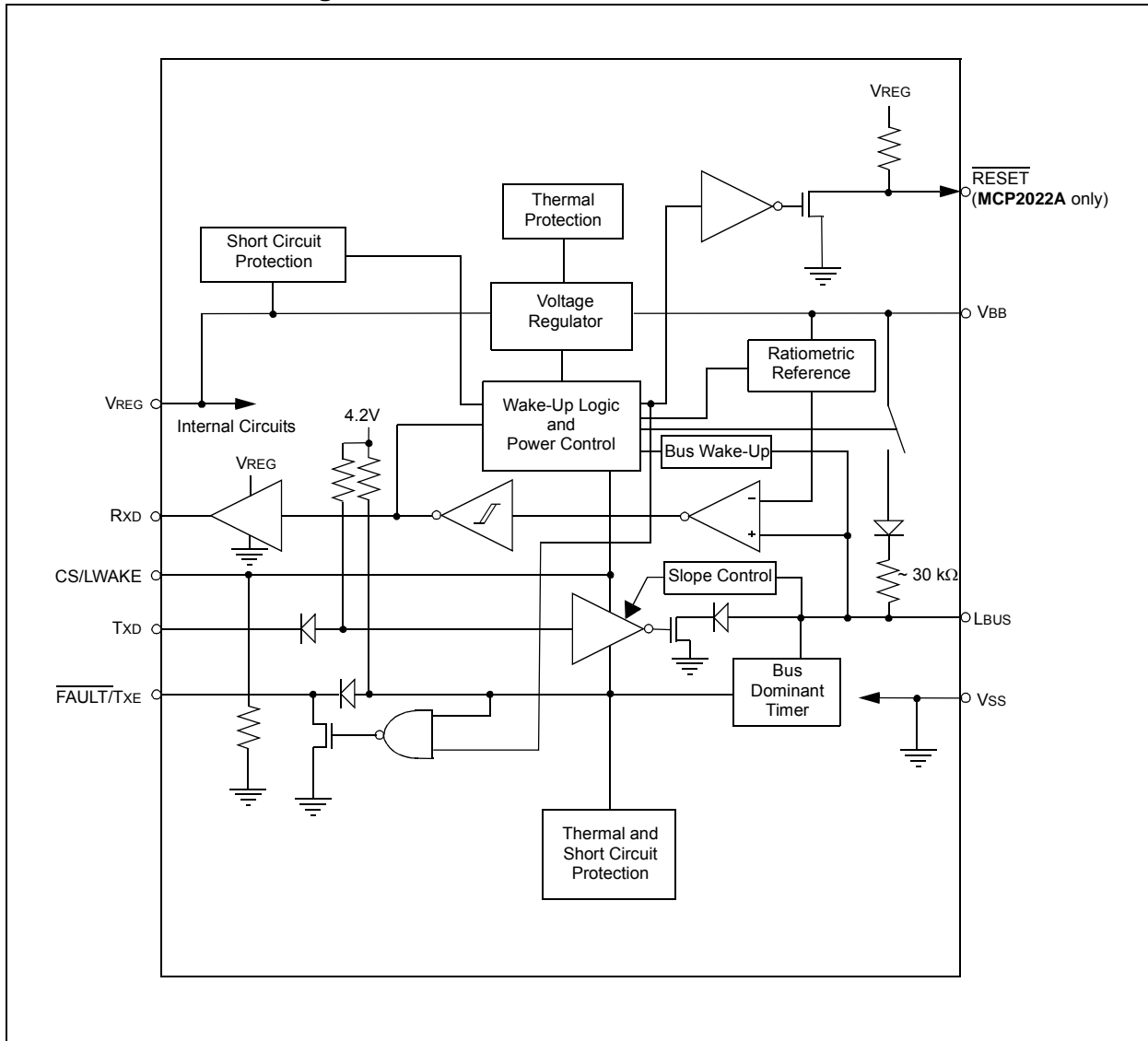
The MCP2021A/2A provide a bidirectional, half-duplex communication physical interface to meet the LIN bus specification Revision 2.1 and SAE J2602-2. The devices incorporate a voltage regulator with 5V or 3.3V at 70 mA regulated power supply output. The devices have been designed to meet the stringent quiescent current requirements of the automotive industry and will survive +43V load dump transients and double battery jumps.

### Package Types



# MCP2021A/2A

## MCP2021A/2A Block Diagram



## 1.0 DEVICE OVERVIEW

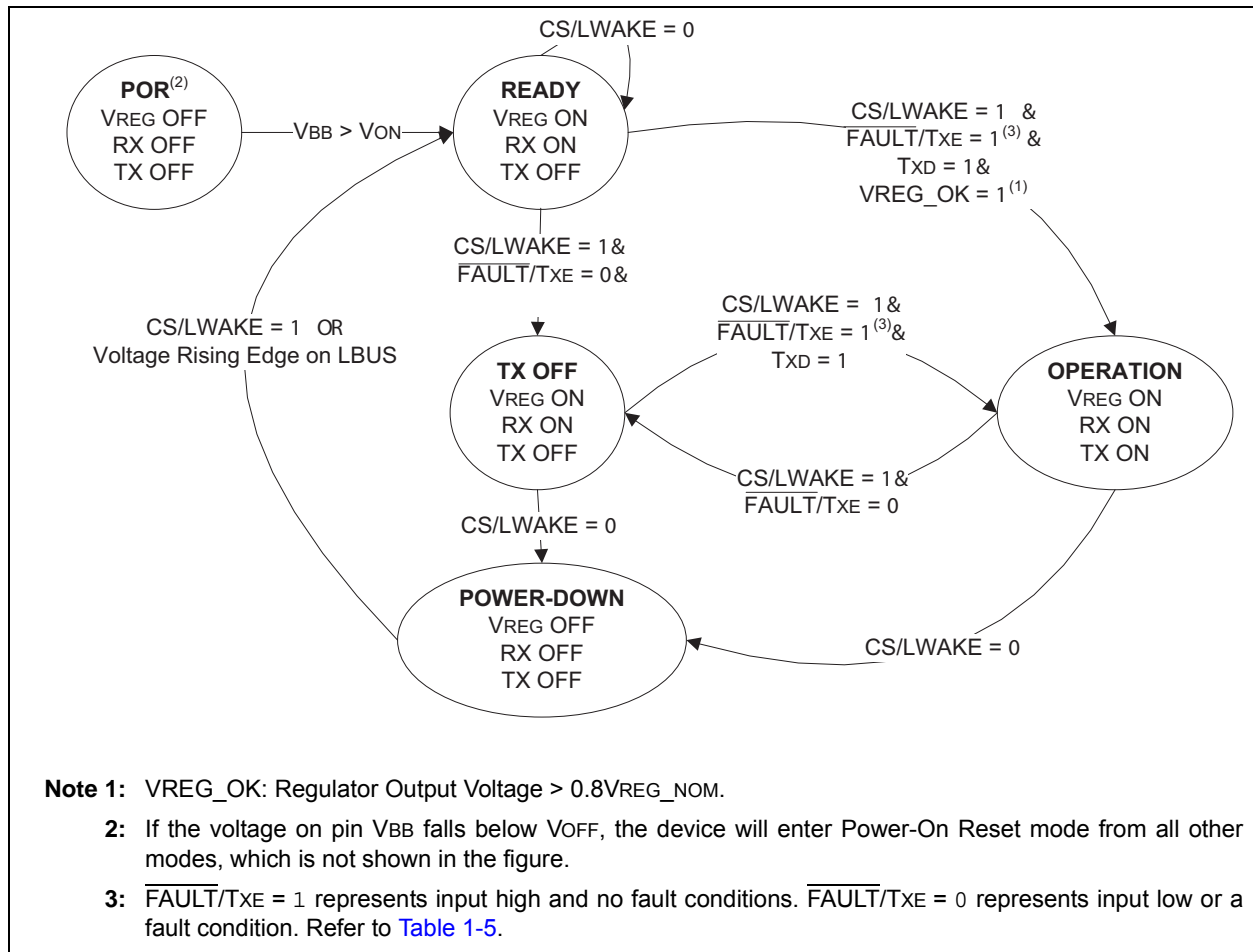
The MCP2021A/2A devices provide a physical interface between a microcontroller and a LIN half-duplex bus. They are intended for automotive and industrial applications with serial bus baud rates up to 20 kBaud. These devices will translate the CMOS/TTL logic levels to LIN logic levels and vice versa.

The MCP2021A/2A offer optimum EMI and ESD performance and can withstand high voltage on the LIN bus. The devices support two low-power modes to meet automotive industry power consumption requirements. The MCP2021A/2A also provide a +5V or 3.3V regulated power output at 70 mA.

## 1.1 Modes of Operation

The MCP2021A/2A work in five modes: Power-On Reset, Power-Down, Ready, Operation and Transmitter Off. For an overview of all operational modes, please refer to [Table 1-1](#). For the operational mode transition, please refer to [Figure 1-1](#).

**FIGURE 1-1: STATE DIAGRAM**



# MCP2021A/2A

---

## 1.1.1 POWER-ON RESET MODE

Upon application of V<sub>BB</sub> or whenever the voltage on V<sub>BB</sub> is below the threshold of regulator turn-off voltage V<sub>OFF</sub> (typically 4.50V), the device enters Power-On Reset (POR) mode. During this mode, the device maintains the digital section in a Reset mode and waits until the voltage on the V<sub>BB</sub> pin rises above the threshold of regulator turn-on voltage V<sub>ON</sub> (typically 5.75V) to enter Ready mode. In Power-On Reset mode, the LIN physical layer and voltage regulator are disabled and the RESET output (**MCP2022A** only) is forced to low.

## 1.1.2 READY MODE

The device enters Ready mode from POR mode after the voltage on V<sub>BB</sub> rises above the threshold of regulator turn-on voltage V<sub>ON</sub> or from Power-Down mode when a remote or local wake-up event happens.

Upon entering Ready mode, the voltage regulator and the receiver section of the transceiver are powered up. The transmitter remains in an off state. The device is ready to receive data but not to transmit. In order to minimize the power consumption, the regulator operates in a reduced-power mode. It has a lower GBW product and it is thus slower. However, the 70 mA drive capability is unchanged.

The device stays in Ready mode until the output of the voltage regulator has stabilized and the CS/LWAKE pin is high ('1').

## 1.1.3 OPERATION MODE

If V<sub>REG</sub> is OK (V<sub>REG</sub> > 0.8 V<sub>REG\_NORM</sub>) and the CS/LWAKE, FAULT/TXE and TXD pins are high, the part enters Operation mode from either Ready or Transmitter Off mode.

In this mode, all internal modules are operational. The internal pull-up resistor between L<sub>BUS</sub> and V<sub>BB</sub> is connected only in this mode.

The device goes into Power-Down mode at the falling edge on CS/LWAKE or into Transmitter Off mode at the falling edge on FAULT/TXE while CS/LWAKE stays high.

## 1.1.4 TRANSMITTER OFF MODE

In Transmitter Off mode, the receiver is enabled but the L<sub>BUS</sub> transmitter is off. It is a lower power mode.

In order to minimize power consumption, the regulator operates in a reduced-power mode. It has a lower GBW product and it is thus slower. However, the 70 mA drive capability is unchanged.

The transmitter may be re-enabled whenever the FAULT/TXE signal returns high, by removing the internal fault condition and by driving FAULT/TXE high. The transmitter will not be enabled even if the FAULT/TXE pin is brought high externally, when the internal fault is still present. However, externally forcing the FAULT/TXE high while the internal fault is still present should be avoided, since this will induce high current and power dissipation in the FAULT/TXE pin.

The transmitter is also turned off whenever the voltage regulator is unstable or recovering from a fault. This prevents unwanted disruption of the bus during times of uncertain operation.

## 1.1.5 POWER-DOWN MODE

In Power-Down mode, the transceiver and the voltage regulator are both off. Only the bus wake-up section and the CS/LWAKE pin wake-up circuits are in operation. This is the lowest power mode.

If any bus activity (e.g., a Break character) occurs during Power-Down mode, the device will immediately enter Ready mode and enable the voltage regulator. Then, once the regulator output has stabilized (approximately 0.3 ms to 1.2 ms), it goes into Operation mode. Refer to [Section 1.1.6 "Remote Wake-Up"](#).

The part will also enter Ready mode from Power-Down mode, followed by the Operation mode, if the CS/LWAKE pin becomes active high ('1').

## 1.1.6 REMOTE WAKE-UP

The Remote Wake-Up sub-module observes the L<sub>BUS</sub> in order to detect bus activity. In Power-Down mode, normal LIN recessive/dominant threshold is disabled and the LIN bus wake-up voltage threshold V<sub>WK(LBUS)</sub> is used to detect bus activities. Bus activity is detected when the voltage on the L<sub>BUS</sub> falls below the LIN bus wake-up voltage threshold V<sub>WK(LBUS)</sub> (approximately 3.5V) for at least t<sub>BDB</sub> (a typical duration of 80 μs) followed by a rising edge. Such a condition causes the device to leave Power-Down mode.

**TABLE 1-1: OVERVIEW OF OPERATIONAL MODES**

| State           | Transmitter | Receiver | Internal Wake Module  | Voltage Regulator | Operation  | Comments                        |
|-----------------|-------------|----------|-----------------------|-------------------|--|---------------------------------|
| POR             | OFF         | OFF      | OFF                   | OFF               | Proceed to Ready mode after $V_{BB} > V_{ON}$  |                                 |
| Ready           | OFF         | ON       | OFF                   | ON                | If CS/LWAKE is high, then proceed to Operation or Transmitter Off mode.  | Bus Off state                   |
| Operation       | ON          | ON       | OFF                   | ON                | If CS/LWAKE is low, then proceed to Power-Down mode.<br>If $\overline{\text{FAULT/TXE}}$ is low, then proceed to Transmitter Off mode. | Normal Operation mode           |
| Power-Down      | OFF         | OFF      | ON<br>Activity Detect | OFF               | On LIN bus rising edge or CS/LWAKE high level, go to Ready mode.   | Lowest power mode               |
| Transmitter Off | OFF         | ON       | OFF                   | ON                | If CS/LWAKE is low, then proceed to Power-Down mode.<br>If $\overline{\text{FAULT/TXE}}$ is high, then proceed to Operation mode.      | Bus Off state, lower power mode |

# MCP2021A/2A

## 1.2 Pin Descriptions

The descriptions of the pins are listed in [Table 1-2](#).

**TABLE 1-2: PIN FUNCTION TABLE**

| Pin Name  | Pin Number        |         |                           | Pin Type               | Description                                  |
|-----------|-------------------|---------|---------------------------|------------------------|--|
|           | 8-lead PDIP, SOIC | 4x4 DFN | 14-lead PDIP, SOIC, TSSOP |                        |  |
| RXD       | 1                 | 1       | 1                         | Output                 | Receive Data Output                          |
| CS/LWAKE  | 2                 | 2       | 2                         | TTL Input, HV-tolerant | Chip Select and Local Wake-up Input          |
| VREG      | 3                 | 3       | 3                         | Output                 | Voltage Regulator Output                     |
| TXD       | 4                 | 4       | 4                         | Input, HV-tolerant     | Transmit Data Input                          |
| RESET     | —                 | —       | 5                         | Output                 | Reset Output                                 |
| NC        | —                 | —       | 6–10                      | —                      | No Connection                                |
| VSS       | 5                 | 5       | 11                        | Power                  | Ground                                       |
| LBUS      | 6                 | 6       | 12                        | I/O, HV                | LIN Bus                                      |
| VBB       | 7                 | 7       | 13                        | Power                  | Battery                                      |
| FAULT/TXE | 8                 | 8       | 14                        | I/O, HV-tolerant       | Fault Detect Output/Transmitter Enable Input |
| EP        | —                 | 9       | —                         | —                      | Exposed Thermal Pad                          |

### 1.2.1 RECEIVE DATA OUTPUT (RXD)

Receive Data Output pin. The RXD pin is a standard CMOS output pin and it follows the state of the LBUS pin.

### 1.2.2 CHIP SELECT AND LOCAL WAKE-UP INPUT (CS/LWAKE)

Chip Select and Local Wake-up Input pin (TTL level, high-voltage tolerant). This pin controls the device state transition. Refer to [Figure 1-1](#).

If CS/LWAKE = 1, the device can work in Operation mode (FAULT/TXE = 1) or in Transmitter Off mode (FAULT/TXE = 0). If CS/LWAKE = 0, the device can work in Power-Down mode or in Ready mode.

An internal pull-down resistor will keep the CS/LWAKE pin low to ensure that no disruptive data will be present on the bus while the microcontroller is executing a Power-On Reset and I/O initialization sequence. When CS/LWAKE is '1', a weak pull-down (~600 kΩ) is used to reduce current. When CS/LWAKE is '0', a stronger pull-down (~300 kΩ) is used to maintain the logic level.

This pin may also be used as a local wake-up input (see [Figure 1-1](#)). The microcontroller will set the I/O pin to control the CS/LWAKE. An external switch or another source can then wake up both the transceiver and the microcontroller.

**Note:** CS/LWAKE should NOT be tied directly to the VREG pin as this could force the MCP2021A/2A into Operation mode before the microcontroller is initialized.

### 1.2.3 POWER OUTPUT (VREG)

Positive Supply Voltage Regulator Output pin. An on-chip LDO gives +5.0 or +3.3V at 70 mA regulated voltage on this pin.

### 1.2.4 TRANSMIT DATA INPUT (TXD)

Transmit Data Input pin (TTL level, HV-compliant, adaptive pull-up). The transmitter reads the data stream on the TXD pin and sends it to the LIN bus. The LBUS pin is low (dominant) when TXD is low and high (recessive) when TXD is high.

TXD is internally pulled up to approximately 4.2V. When TXD is '0', a weak pull-up (~900 kΩ) is used to reduce current. When TXD is '1', a stronger pull-up (~300 kΩ) is used to maintain the logic level. A series reverse-blocking diode allows applying TXD input voltages greater than the internally generated 4.2V and renders the TXD pin HV-compliant up to 30V (see [MCP2021A/2A Block Diagram](#)).

### 1.2.5 RESET (MCP2022A ONLY)

RESET output pin. This pin is open-drain with ~90 kΩ pull-up to VREG. It indicates the internal voltage has reached a valid, stable level. As long as the internal voltage is valid (above 0.8 VREG), this pin will remain high ('1'); otherwise, the RESET pin switches to low ('0').

### 1.2.6 NO CONNECTION (NC)

No internal connection.

## 1.2.7 GROUND (Vss)

Ground pin.

## 1.2.8 LIN BUS (LBUS)

LIN Bus pin. LBUS is a bidirectional LIN bus interface pin and is controlled by the signal TXD. It has an open collector output with a current limitation. To reduce electromagnetic emission, the slopes during signal changes are controlled and the LBUS pin has corner-rounding control for both falling and rising edges.

The internal LIN receiver observes the activities on the LIN bus and generates the output signal RXD that follows the state of the LBUS. A 1<sup>st</sup> degree 160 kHz low-pass input filter optimizes electromagnetic immunity.

## 1.2.9 BATTERY POSITIVE SUPPLY VOLTAGE (VBB)

Battery Positive Supply Voltage pin. An external diode is connected in series to prevent the device from being reversely powered (refer to [Figure 1-7](#)).

## 1.2.10 FAULT DETECT OUTPUT/TRANSMITTER ENABLE INPUT (FAULT/TXE)

Fault Detect Output/Transmitter Enable Input pin. The output section is HV-tolerant open-drain (up to 30V). The input section is identical to the TXD section (TTL level, HV-compliant, adaptive pull-up). The internal pull-up resistor may be too weak for some applications. We recommend adding a 10 kΩ external pull-up resistor to ensure a logic high level. Its state is defined as shown in [Table 1-5](#). The device is placed in Transmitter Off mode whenever this pin is low ('0'), either from an internal fault condition or by external drive.

If CS/LWAKE is high ('1'), the  $\overline{\text{FAULT/TXE}}$  signals a mismatch between the TXD input and the LBUS level. This can be used to detect a bus contention. Since the bus exhibits a propagation delay, the sampling of the internal compare is debounced to eliminate false faults.

After the device wakes up, the  $\overline{\text{FAULT/TXE}}$  indicates what wakes the device if CS/LWAKE remains low ('0') (refer to [Table 1-5](#)).

The  $\overline{\text{FAULT/TXE}}$  pin sampled at a rate faster than every 10 μs.

**TABLE 1-3:  $\overline{\text{FAULT/TXE}}$  TRUTH TABLE**

| TXD In | RXD Out | LINBUS I/O | Thermal Override | $\overline{\text{FAULT/TXE}}$ |               | Definition   |
|--------|---------|------------|------------------|-------------------------------|---------------|--|
|        |         |            |                  | External Input                | Driven Output |  |
| CS = 1 |         |            |                  |                               |               |  |
| L      | H       | VBB        | OFF              | H                             | L             | <b>FAULT</b> , TXD driven low, LBUS shorted to VBB ( <b>Note 1</b> ) or LBUS/TXD permanent dominant detected and Transmit time-out shutdown. |
| H      | H       | VBB        | OFF              | H                             | H             | <b>OK</b>  |
| L      | L       | GND        | OFF              | H                             | H             | <b>OK</b>  |
| H      | L       | GND        | OFF              | H                             | H             | <b>OK</b> , data is being received from LBUS   |
| x      | x       | VBB        | ON               | H                             | L             | <b>FAULT</b> , Transceiver in thermal shutdown   |
| x      | x       | VBB        | x                | L                             | x             | <b>NO FAULT</b> , the CPU is commanding the transceiver to turn off the transmitter driver   |
| CS = 0 |         |            |                  |                               |               |  |
| x      | x       | x          | x                | x                             | L             | <b>Wake-up from LIN bus activity</b>   |
| x      | x       | x          | x                | x                             | H             | <b>Wake-up from POR</b>  |

**Legend:** x = Don't care

**Note 1:** The  $\overline{\text{FAULT/TXE}}$  is valid after approximately 25 μs after the TXD falling edge. This is to eliminate false fault reporting during bus propagation delays.

# MCP2021A/2A

## 1.3 Fail-Safe Features

### 1.3.1 GENERAL FAIL-SAFE FEATURES

- An internal pull-down resistor on CS/LWAKE pin disables the transmitter if the pin is floating.
- An internal pull-up resistor on the TXD pin places TXD in high and the LBUS in recessive if the TXD pin is floating.
- High-impedance and low-leakage current on LBUS during loss of power or ground.
- The current limit on LBUS protects the transceiver from being damaged if the pin is shorted to VBB.

### 1.3.2 THERMAL PROTECTION

The thermal protection circuit monitors the die temperature and is able to shut down the LIN transmitter and voltage regulator.

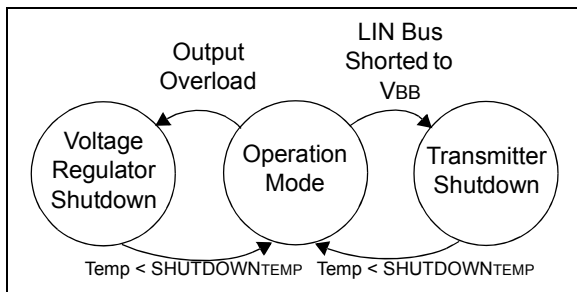
There are three causes for a thermal overload. A thermal shutdown can be triggered by any one, or a combination of, the following thermal overload conditions:

- Voltage regulator overload
- LIN bus output overload
- Increase in die temperature due to increase in environment temperature

The recovery time from the thermal shutdown is equal to adequate cooling time.

Driving the TXD and checking the RXD pin make it possible to determine whether there is a bus contention (TXD = high, RXD = low) or a thermal overload condition (TXD = low, RXD = high).

**FIGURE 1-2: THERMAL SHUTDOWN STATE DIAGRAMS**



### 1.3.3 TXD/LBUS TIME-OUT TIMER

The LIN bus can be driven to a dominant level either from the TXD pin or externally. An internal timer deactivates the LBUS transmitter if a dominant status (low) on the LIN bus lasts longer than Bus Dominant Time-out Time,  $t_{TO(LIN)}$  (approximately 20 milliseconds). At the same time, the RXD output is put in recessive (high),  $\overline{FAULT/TXE}$  is also driven to low and the internal LIN pull-up resistor is disconnected. The timer is reset on any recessive LBUS status or POR mode. The recessive status on LBUS can be caused either by the bus being externally pulled up or by the TXD pin being returned high.

## 1.4 Internal Voltage Regulator

The MCP2021A/2A have a positive regulator capable of supplying +5.00 or +3.30 V<sub>DC</sub> ±3% at up to 70 mA of load current over the entire operating temperature range of -40°C to +125°C. The regulator uses a LDO design, is short-circuit-protected and will turn the regulator output off if its output falls below the shutdown voltage threshold, V<sub>SD</sub>.

With a load current of 70 mA, the minimum input to output voltage differential required for the output to remain in regulation is typically +0.5V (+1V maximum over the full operating temperature range). Quiescent current is less than 100 µA with a full 70 mA load current when the input to output voltage differential is greater than +3.00V.

Regarding the correlation between V<sub>BB</sub>, V<sub>REG</sub> and I<sub>DD</sub>, please refer to Figures 1-4 and 1-5. When the input voltage (V<sub>BB</sub>) drops below the differential needed to provide stable regulation, the voltage regulator output, V<sub>REG</sub>, will track the input down to approximately V<sub>OFF</sub>, at which point the regulator will turn off the output. This will allow PIC<sup>®</sup> microcontrollers with internal POR circuits to generate a clean arming of the POR trip point. The MCP2021A/2A will then monitor V<sub>BB</sub> and turn on the regulator when V<sub>BB</sub> is above the threshold of regulator turn-on voltage, V<sub>ON</sub>.

In Power-Down mode, the V<sub>BB</sub> monitor is turned off.

Under specific ambient temperature and battery voltage range, the voltage regulator can output as high as 150 mA current. For current load capability of the voltage regulator, refer to Figures 2-8 and 2-9.

**Note:** The regulator has an overload current limit of approximately 250 mA. The regulator output voltage, V<sub>REG</sub>, is monitored. If output voltage V<sub>REG</sub> is lower than V<sub>SD</sub>, the voltage regulator will turn off. After a recovery time of about 3 ms, the V<sub>REG</sub> will be checked again. If there is no short circuit (V<sub>REG</sub> > V<sub>SD</sub>), then the voltage regulator remains on.



The regulator requires an external output bypass capacitor for stability. See [Figure 2-1](#) for correct capacity and ESR for stable operation.

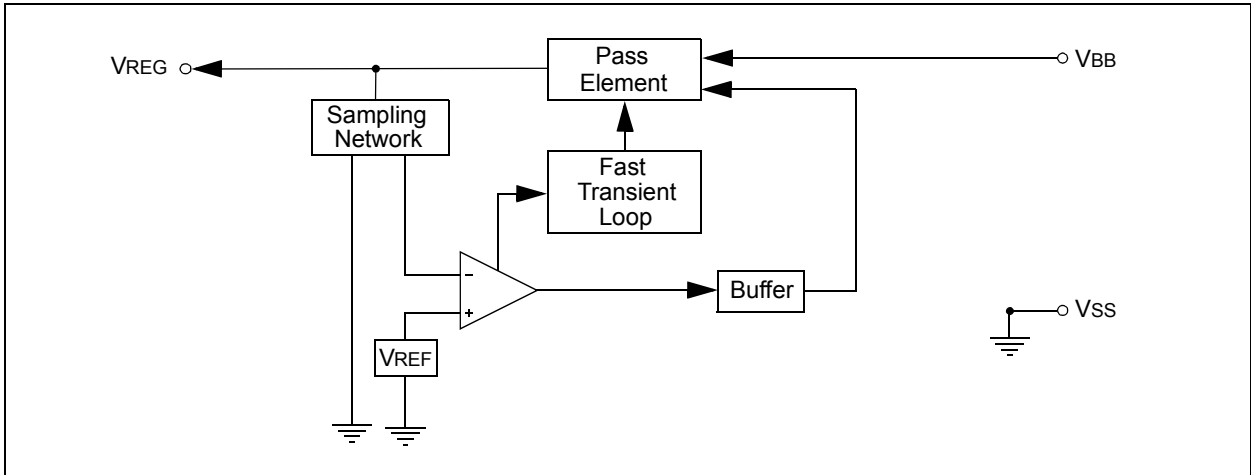
**Note:** A ceramic capacitor of at least 10  $\mu\text{F}$  or a tantalum capacitor of at least 2.2  $\mu\text{F}$  is recommended for stability.

In worst-case scenarios, the ceramic capacitor may derate by 50%, based on tolerance, voltage and temperature. Therefore, in order to ensure stability, ceramic capacitors smaller than 10  $\mu\text{F}$  may require a small series resistance to meet the ESR requirements, as shown in [Table 1-4](#).

**TABLE 1-4: RECOMMENDED SERIES RESISTANCE FOR CERAMIC CAPACITORS**

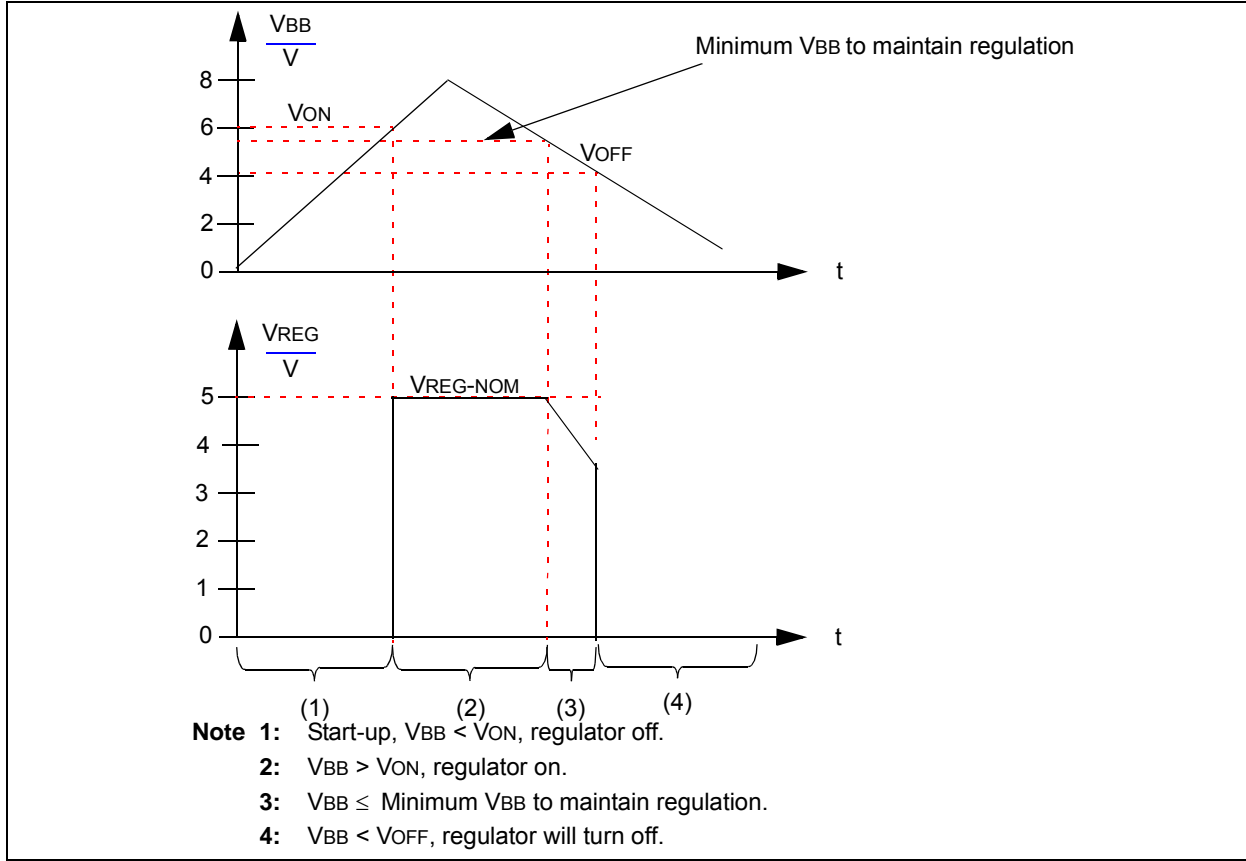
| Resistance    | Capacitor         |
|---------------|-------------------|
| 1 $\Omega$    | 1 $\mu\text{F}$   |
| 0.47 $\Omega$ | 2.2 $\mu\text{F}$ |
| 0.22 $\Omega$ | 4.7 $\mu\text{F}$ |
| 0.1 $\Omega$  | 6.8 $\mu\text{F}$ |

**FIGURE 1-3: VOLTAGE REGULATOR BLOCK DIAGRAM**

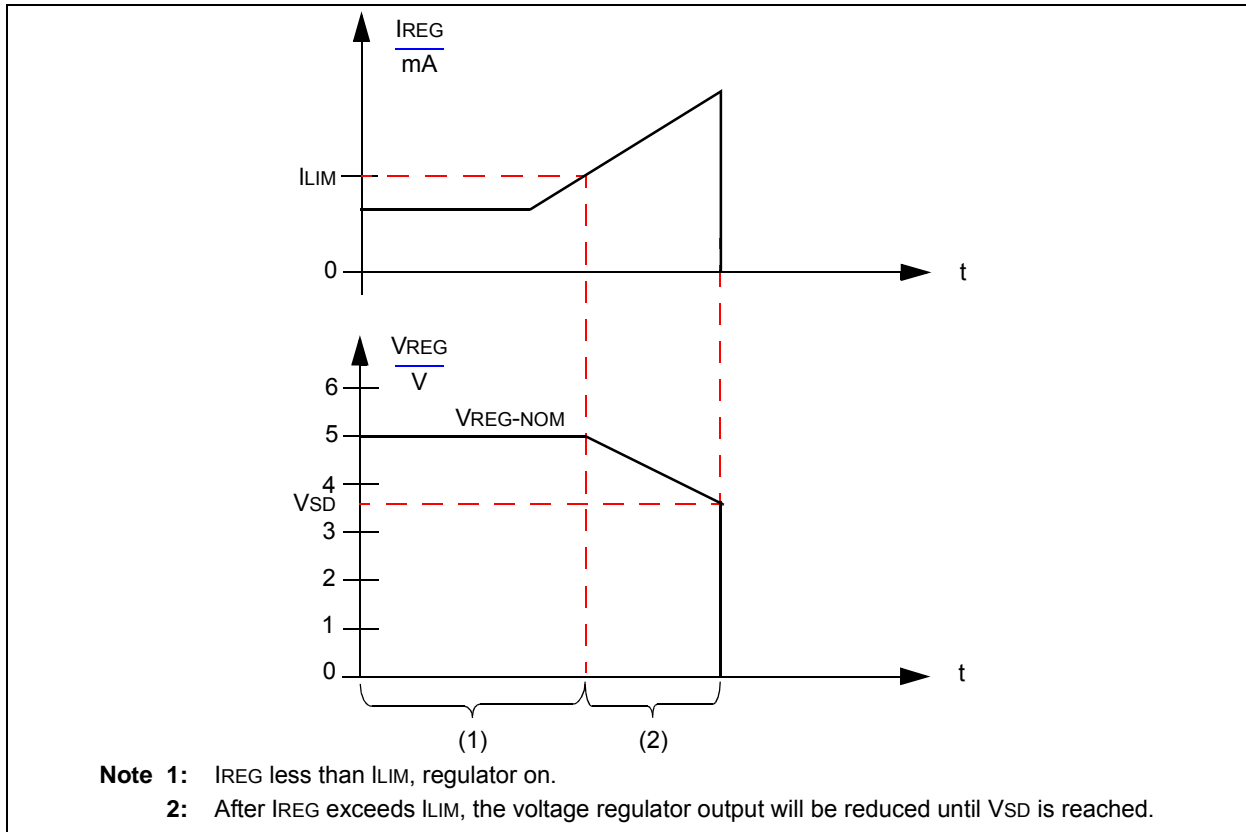


# MCP2021A/2A

**FIGURE 1-4: VOLTAGE REGULATOR OUTPUT ON POWER-ON RESET**



**FIGURE 1-5: VOLTAGE REGULATOR OUTPUT ON OVERCURRENT PROTECTION**



## 1.5 Optional External Protection

### 1.5.1 REVERSE BATTERY PROTECTION

An external reverse-battery-blocking diode should be used to provide polarity protection (see [Figure 1-7](#)).

### 1.5.2 TRANSIENT VOLTAGE PROTECTION (LOAD DUMP)

An external 43V transient suppressor (TVS) diode, between V<sub>BB</sub> and ground, with a transient protection resistor (R<sub>TP</sub>) in series with the battery supply and the V<sub>BB</sub> pin, protects the device from power transients and ESD events greater than 43V (see [Figure 1-7](#)). The maximum value for the RTP protection resistor depends upon two parameters: the minimum voltage the part will start at and the impacts of this RTP resistor on the V<sub>BB</sub> value, thus on the bus recessive level and slopes.

This leads to a set of three equations to fulfill.

[Equation 1-1](#) provides a maximum RTP value according to the minimum battery voltage the user wants.

[Equation 1-2](#) provides a maximum RTP value according to the maximum error on the recessive level, thus V<sub>BB</sub>, since the part uses V<sub>BB</sub> as the reference value for the recessive level.

[Equation 1-3](#) provides a maximum RTP value according to the maximum relative variation the user can accept on the slope when I<sub>REG</sub> varies.

Since both [Equations 1-1](#) and [1-2](#) must be fulfilled, the maximum allowed value for RTP is thus the smaller of the two values found when solving [Equations 1-1](#) and [1-2](#).

Usually [Equation 1-1](#) gives the higher constraint (smaller value) for RTP, as shown in the following example where V<sub>BATmin</sub> is 8V.

However, the user needs to check that the value found with [Equation 1-1](#) fulfills [Equations 1-2](#) and [1-3](#).

While this protection is optional, it should be considered as good engineering practice.

#### EQUATION 1-1:

$$R_{TP} \leq \frac{V_{BATmin} - 5.5V}{250 \text{ mA}}$$

$$5.5V = V_{OFF} + 1.0V$$

Where:  
250 mA = Peak current at power-on when V<sub>BB</sub> = 5.5V

Assume V<sub>BATmin</sub> = 8V. [Equation 1-1](#) shows 10Ω.

#### EQUATION 1-2:

$$R_{TP} \leq \frac{\Delta V_{RECESSIVE}}{I_{REGMAX}}$$

Where:  
ΔV<sub>RECESSIVE</sub> = Maximum variation tolerated on the recessive level

Assume ΔV<sub>RECESSIVE</sub> = 1V and I<sub>REGMAX</sub> = 50 mA. [Equation 1-2](#) shows 20Ω.

#### EQUATION 1-3:

$$R_{TP} \leq \frac{\Delta Slope \times (V_{BATmin} - 1V)}{I_{REGMAX}}$$

Where:  
ΔSlope = Maximum variation tolerated on the slope level  
I<sub>REGMAX</sub> = Maximum current the current will provide to the load  
V<sub>BATmin</sub> > V<sub>OFF</sub> + 1.0V

Assume ΔSlope = 15%, V<sub>BATmin</sub> = 8V and I<sub>REGMAX</sub> = 50 mA. [Equation 1-2](#) shows 20Ω.

### 1.5.3 C<sub>BAT</sub> CAPACITOR

Selecting C<sub>BAT</sub> = 10 x C<sub>REG</sub> is recommended. However, this leads to a high value capacitor. Lower values for C<sub>BAT</sub> capacitor can be used with respect to some rules. In any case, the voltage at the V<sub>BB</sub> pin should remain above V<sub>OFF</sub> when the device is turned on.

The current peak at start-up (due to the fast charge of the C<sub>REG</sub> and C<sub>BAT</sub> capacitors) may induce a significant drop on the V<sub>BB</sub> pin. This drop is proportional to the impedance of the V<sub>BAT</sub> connection (see [Figure 1-7](#)).

The V<sub>BAT</sub> connection is mainly inductive and resistive. Therefore, it can be modeled as a resistor (R<sub>TOT</sub>) in series with an inductor (L). R<sub>TOT</sub> and L can be measured.

The following formula gives an indication of the minimum value of C<sub>BAT</sub> using R<sub>TOT</sub> and L:

#### EQUATION 1-4:

$$\frac{C_{BAT}}{C_{REG}} = \sqrt{\frac{100L^2 + R_{TOT}^2}{1 + L^2 + \frac{R_{TOT}^2}{100}}}$$

Where:  
L = Inductor (measured in mH)  
R<sub>TOT</sub> = R<sub>LINE</sub> + R<sub>TP</sub> (measured in Ω)

# MCP2021A/2A

Equation 1-4 allows lower  $C_{BAT}/C_{REG}$  values than the 10x ratio we recommend.

Assume that we have a good quality  $V_{BAT}$  connection with  $R_{TOT} = 0.1\Omega$  and  $L = 0.1$  mH.

Solving the equation gives  $C_{BAT}/C_{REG} = 1$ .

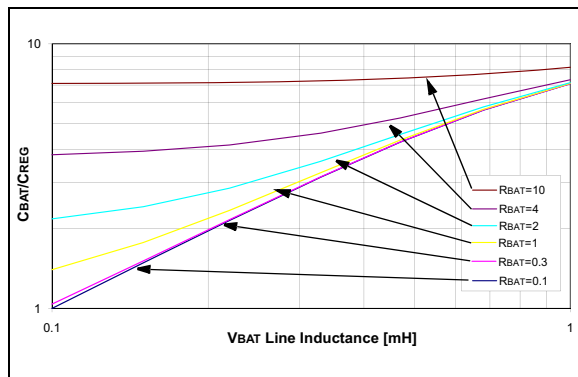
If we increase  $R_{TOT}$  up to  $1\Omega$ , the result becomes  $C_{BAT}/C_{REG} = 1.4$ . However, if the connection is highly resistive or highly inductive (poor connection), the  $C_{BAT}/C_{REG}$  ratio greatly increases.

**TABLE 1-5:  $C_{BAT}/C_{REG}$  RATIO BY  $V_{BAT}$  CONNECTION TYPE**

| Connection Type  | $R_{TOT}$   | L      | $C_{BAT}/C_{REG}$ Ratio |
|------------------|-------------|--------|-------------------------|
| Good             | $0.1\Omega$ | 0.1 mH | 1                       |
| Typical          | $1\Omega$   | 0.1 mH | 1.4                     |
| Highly inductive | $0.1\Omega$ | 1 mH   | 7                       |
| Highly resistive | $10\Omega$  | 0.1 mH | 7                       |

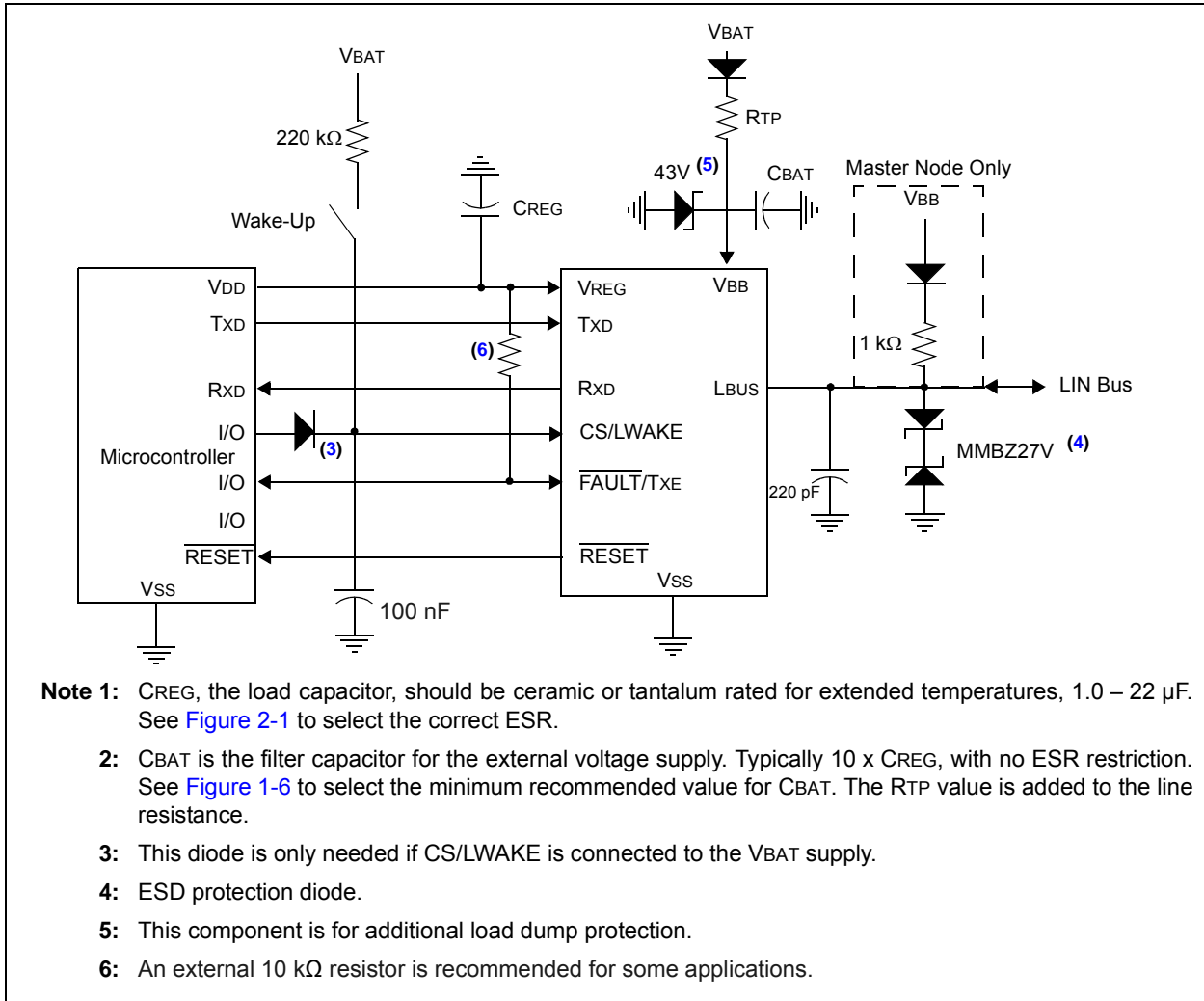
Figure 1-6 shows the minimum recommended  $C_{BAT}/C_{REG}$  ratio as a function of the impedance of the  $V_{BAT}$  connection.

**FIGURE 1-6: MINIMUM RECOMMENDED  $C_{BAT}/C_{REG}$  RATIO**

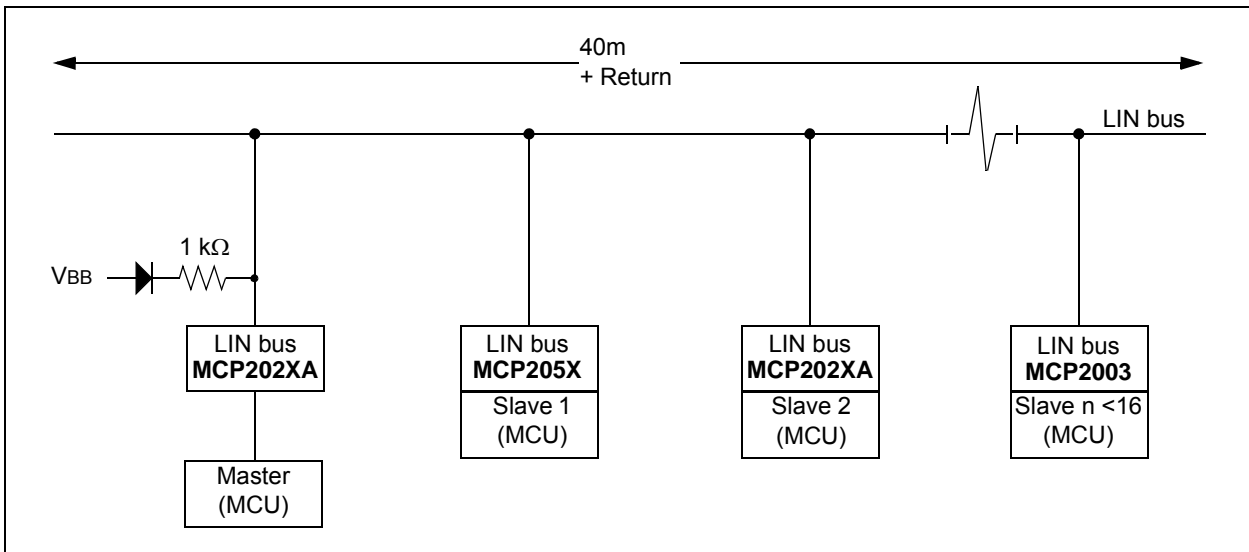


## 1.6 Typical Applications

**FIGURE 1-7: TYPICAL APPLICATION CIRCUIT**



**FIGURE 1-8: TYPICAL LIN NETWORK CONFIGURATION**



# MCP2021A/2A

---

## 1.7 ICSP™ Considerations

The following should be considered when the MCP2021A/2A are connected to pins supporting in-circuit programming:

- Power used for programming the microcontroller can be supplied from the programmer or from the MCP2021A/2A.
- The voltage on the VREG pin should not exceed the maximum value of VREG in [DC Specifications](#).

## 2.0 ELECTRICAL CHARACTERISTICS

### 2.1 Absolute Maximum Ratings†

|   |                                 |
|---|---------------------------------|
| V <sub>IN</sub> DC Voltage on RXD and $\overline{\text{RESET}}$ .....   | -0.3V to V <sub>REG</sub> + 0.3 |
| V <sub>IN</sub> DC Voltage on TXD, CS/LWAKE, $\overline{\text{FAULT}}$ /TXE .....                             | -0.3 to +40V                    |
| V <sub>BB</sub> Battery Voltage, continuous, non-operating (Note 1).....                                      | -0.3 to +40V                    |
| V <sub>BB</sub> Battery Voltage, non-operating (LIN bus recessive, no regulator load, t < 60s) (Note 2) ..... | -0.3 to +43V                    |
| V <sub>BB</sub> Battery Voltage, transient ISO 7637 Test 1 .....  | -100V                           |
| V <sub>BB</sub> Battery Voltage, transient ISO 7637 Test 2a .....   | +75V                            |
| V <sub>BB</sub> Battery Voltage, transient ISO 7637 Test 3a .....   | -150V                           |
| V <sub>BB</sub> Battery Voltage, transient ISO 7637 Test 3b .....   | +100V                           |
| V <sub>LBUS</sub> Bus Voltage, continuous.....  | -18 to +30V                     |
| V <sub>LBUS</sub> Bus Voltage, transient (Note 3).....  | -27 to +43V                     |
| I <sub>LBUS</sub> Bus Short Circuit Current Limit .....   | 200 mA                          |
| ESD protection on LIN, V <sub>BB</sub> (IEC 61000-4-2) (Note 4).....  | ±15 kV                          |
| ESD protection on LIN, V <sub>BB</sub> (Human Body Model) (Note 5).....                                       | ±8 kV                           |
| ESD protection on all other pins (Human Body Model) (Note 5) .....  | ±4 kV                           |
| ESD protection on all pins (Charge Device Model) (Note 6) .....   | ±1500V                          |
| ESD protection on all pins (Machine Model) (Note 7).....  | ±200V                           |
| Maximum Junction Temperature .....  | 150°C                           |
| Storage Temperature .....   | -65 to +150°C                   |

† **Notice:** Stresses above those listed under “Maximum Ratings” may cause permanent damage to the device. This is a stress rating only and functional operation of the device at those or any other conditions above those indicated in the operational sections of this specification is not intended. Exposure to maximum rating conditions for extended periods may affect device reliability.

- Note 1:** LIN 2.x compliant specification.  
**2:** SAE J2602-2 compliant specification.  
**3:** ISO 7637/1 load dump compliant (t < 500 ms).  
**4:** According to IEC 61000-4-2, 330Ω, 150 pF and Transceiver EMC Test Specifications [2] to [4].  
**5:** According to AEC-Q100-002/JESD22-A114.  
**6:** According to AEC-Q100-011B.  
**7:** According to AEC-Q100-003/JESD22-A115.

### 2.2 Nomenclature Used in This Document

Some terms and names used in this data sheet deviate from those referred to in the LIN specifications. Equivalent values are shown below.

| LIN 2.1 Name         | Term used in the following tables   | Definition                   |
|----------------------|-------------------------------------|------------------------------|
| V <sub>BAT</sub>     | <i>not used</i>                     | ECU operating voltage        |
| V <sub>SUP</sub>     | V <sub>BB</sub>                     | Supply voltage at device pin |
| V <sub>BUS_LIM</sub> | I <sub>SC</sub>                     | Current limit of driver      |
| V <sub>BUSREC</sub>  | V <sub>IH</sub> (L <sub>BUS</sub> ) | Recessive state              |
| V <sub>BUSDOM</sub>  | V <sub>IL</sub> (L <sub>BUS</sub> ) | Dominant state               |

# MCP2021A/2A

## 2.3 DC Specifications

| DC Specifications                                     |                 | Electrical Characteristics: Unless otherwise indicated, all limits are specified for $V_{BB} = 6.0V$ to $18.0V$ , $T_A = -40^{\circ}C$ to $+125^{\circ}C$ , $C_{REG} = 10 \mu F$ . |     |                        |         |   |
|---|-----------------|--|-----|------------------------|---------|---|
| Parameter   | Sym             | Min  | Typ | Max                    | Units   | Conditions  |
| <b>Power</b>  |                 |  |     |                        |         |   |
| V <sub>BB</sub> Quiescent Operating Current           | IBBQ            | —  | —   | 200                    | $\mu A$ | I <sub>OUT</sub> = 0 mA<br>L <sub>BUS</sub> recessive<br>V <sub>REG</sub> = 5.0V  |
|   |                 | —  | —   | 200                    | $\mu A$ | I <sub>OUT</sub> = 0 mA<br>L <sub>BUS</sub> recessive<br>V <sub>REG</sub> = 3.3V  |
| V <sub>BB</sub> Ready Current                         | IBBRD           | —  | —   | 100                    | $\mu A$ | I <sub>OUT</sub> = 0 mA<br>L <sub>BUS</sub> recessive<br>V <sub>REG</sub> = 5.0V  |
|   |                 | —  | —   | 100                    | $\mu A$ | I <sub>OUT</sub> = 0 mA<br>L <sub>BUS</sub> recessive<br>V <sub>REG</sub> = 3.3V  |
| V <sub>BB</sub> Transmitter-Off Current               | IBBTO           | —  | —   | 100                    | $\mu A$ | With voltage regulator on,<br>transmitter off, receiver<br>on, FAULT/TXE = V <sub>IL</sub> ,<br>CS = V <sub>IH</sub> , V <sub>REG</sub> = 5.0V      |
|   |                 | —  | —   | 100                    | $\mu A$ | With voltage regulator on,<br>transmitter off, receiver<br>on, FAULT/TXE = V <sub>IL</sub> ,<br>CS = V <sub>IH</sub> , V <sub>REG</sub> = 3.3V      |
| V <sub>BB</sub> Power-Down Current                    | IBBPD           | —  | 4.5 | 8                      | $\mu A$ | With voltage regulator off,<br>receiver on and<br>transmitter off,<br>FAULT/TXE = V <sub>IH</sub> ,<br>TXD = V <sub>IH</sub> , CS = V <sub>IL</sub> |
| V <sub>BB</sub> Current with V <sub>SS</sub> Floating | IBBNOGND        | -1   | —   | 1                      | mA      | V <sub>BB</sub> = 12V, GND to V <sub>BB</sub> ,<br>V <sub>LIN</sub> = 0 – 18V   |
| <b>Microcontroller Interface</b>                      |                 |  |     |                        |         |   |
| High-Level Input Voltage (TXD, FAULT/TXE)             | V <sub>IH</sub> | 2.0  | —   | V <sub>REG</sub> + 0.3 | V       |   |
| Low-Level Input Voltage (TXD, FAULT/TXE)              | V <sub>IL</sub> | -0.3   | —   | 0.8                    | V       |   |
| High-Level Input Current (TXD, FAULT/TXE)             | I <sub>IH</sub> | -2.5   | —   | 0.4                    | $\mu A$ | Input voltage = 4.0V<br>~800 k $\Omega$ internal adaptive pull-up   |
| Low-Level Input Current (TXD, FAULT/TXE)              | I <sub>IL</sub> | -10  | —   | —                      | $\mu A$ | Input voltage = 0.5V<br>~800 k $\Omega$ internal adaptive pull-up   |
| High-Level Input Voltage (CS/LWAKE)                   | V <sub>IH</sub> | 2.0  | —   | V <sub>BB</sub>        | V       | Through a current-limiting resistor   |
| Low-Level Input Voltage (CS/LWAKE)                    | V <sub>IL</sub> | -0.3   | —   | 0.8                    | V       |   |

**Note 1:** Internal current limited. 2.0 ms maximum recovery time (R<sub>LBUS</sub> = 0W, TX = 0, V<sub>LBUS</sub> = V<sub>BB</sub>).

**Note 2:** Characterized, not 100% tested.

**Note 3:** In Power-Down mode, normal LIN recessive/dominant threshold is disabled. V<sub>WK</sub>(L<sub>BUS</sub>) is used to detect bus activities.



## 2.3 DC Specifications (Continued)

| DC Specifications  | Electrical Characteristics: Unless otherwise indicated, all limits are specified for $V_{BB} = 6.0V$ to $18.0V$ , $T_A = -40^{\circ}C$ to $+125^{\circ}C$ , $C_{REG} = 10 \mu F$ . |                |              |                 |            |  |
|--|--|----------------|--------------|-----------------|------------|--|
| Parameter  | Sym  | Min            | Typ          | Max             | Units      | Conditions   |
| High-Level Input Current (CS/LWAKE)                                | I <sub>IH</sub>  | —              | —            | 8.0             | $\mu A$    | Input voltage = $0.8V_{REG}$<br>~1.3 M $\Omega$ internal pull-down to V <sub>SS</sub>                |
| Low-Level Input Current (CS/LWAKE)                                 | I <sub>IL</sub>  | —              | —            | 5.0             | $\mu A$    | Input voltage = $0.2V_{REG}$<br>~1.3 M $\Omega$ internal pull-down to V <sub>SS</sub>                |
| Low-Level Output Voltage (RXD)                                     | V <sub>OLRXD</sub>   | —              | —            | $0.2V_{REG}$    | V          | I <sub>OL</sub> = 2 mA   |
| High-Level Output Voltage (RXD)                                    | V <sub>OHRXD</sub>   | $0.8V_{REG}$   | —            | —               | V          | I <sub>OH</sub> = 2 mA   |
| Low-Level Output Voltage (FAULT/TXE)                               | V <sub>OLOD</sub>  | —              | —            | 1.0             | V          | I <sub>OL</sub> = 4 mA   |
| Low-Level Output Voltage (RESET)                                   | V <sub>OLRST</sub>   | —              | —            | 1.0             | V          | I <sub>OL</sub> = 4 mA   |
| <b>Bus Interface</b>   |  |                |              |                 |            |  |
| High-Level Input Voltage   | V <sub>IH(LBUS)</sub>  | $0.6 V_{BB}$   | —            | —               | V          | Recessive state  |
| Low-Level Input Voltage  | V <sub>IL(LBUS)</sub>  | -8             | —            | $0.4 V_{BB}$    | V          | Dominant state   |
| Input Hysteresis   | V <sub>HYS</sub>   | —              | —            | $0.175 V_{BB}$  | V          | V <sub>IH(LBUS)</sub> – V <sub>IL(LBUS)</sub>  |
| Low-Level Output Current   | I <sub>OL(LBUS)</sub>  | 40             | —            | 200             | mA         | Output voltage = $0.1 V_{BB}$ ,<br>V <sub>BB</sub> = 12V   |
| Pull-Up Current on Input   | I <sub>PU(LBUS)</sub>  | -180           | —            | -72             | $\mu A$    | ~30 k $\Omega$ internal pull-up<br>@ V <sub>IH(LBUS)</sub> = $0.7 V_{BB}$ ,<br>V <sub>BB</sub> = 12V |
| Short Circuit Current Limit  | I <sub>SC</sub>  | 50             | —            | 200             | mA         | <b>Note 1</b>  |
| High-Level Output Voltage  | V <sub>OH(LBUS)</sub>  | $0.8 V_{BB}$   | —            | V <sub>BB</sub> | V          |  |
| Driver Dominant Voltage  | V <sub>LOSUP</sub>   | —              | —            | 1.1             | V          | V <sub>BB</sub> = 7.3V<br>R <sub>LOAD</sub> = 1000 $\Omega$  |
|  | V <sub>HISUP</sub>   | —              | —            | 1.2             | V          | V <sub>BB</sub> = 18V<br>R <sub>LOAD</sub> = 1000 $\Omega$   |
| Input Leakage Current (at the receiver during dominant bus level)  | I <sub>BUS_PAS_DOM</sub>   | -1             | —            | —               | mA         | Driver off<br>V <sub>BUS</sub> = 0V<br>V <sub>BB</sub> = 12V   |
| Input Leakage Current (at the receiver during recessive bus level) | I <sub>BUS_PAS_REC</sub>   | -20            | —            | 20              | $\mu A$    | Driver off<br>$8V < V_{BB} < 18V$<br>$8V < V_{BUS} < 18V$<br>V <sub>BUS</sub> $\geq$ V <sub>BB</sub> |
| Leakage Current (disconnected from ground)                         | I <sub>BUS_NO_GND</sub>  | -10            | —            | +10             | $\mu A$    | G <sub>NDDEVICE</sub> = V <sub>BB</sub><br>$0V < V_{BUS} < 18V$<br>V <sub>BB</sub> = 12V             |
| Leakage Current (disconnected from V <sub>BB</sub> )               | I <sub>BUS_NO_PWR</sub>  | -10            | —            | +10             | $\mu A$    | V <sub>BB</sub> = GND<br>$0 < V_{BUS} < 18V$   |
| Receiver Center Voltage  | V <sub>BUS_CNT</sub>   | $0.475 V_{BB}$ | $0.5 V_{BB}$ | $0.525 V_{BB}$  | V          | V <sub>BUS_CNT</sub> = (V <sub>IL(LBUS)</sub> + V <sub>IH(LBUS)</sub> )/2                            |
| Slave Termination  | R <sub>SLAVE</sub>   | 20             | 30           | 47              | k $\Omega$ | <b>Note 2</b>  |

**Note 1:** Internal current limited. 2.0 ms maximum recovery time (R<sub>LBUS</sub> = 0W, TX = 0, V<sub>LBUS</sub> = V<sub>BB</sub>).

**2:** Characterized, not 100% tested.

**3:** In Power-Down mode, normal LIN recessive/dominant threshold is disabled. V<sub>WK(LBUS)</sub> is used to detect bus activities.

# MCP2021A/2A

## 2.3 DC Specifications (Continued)

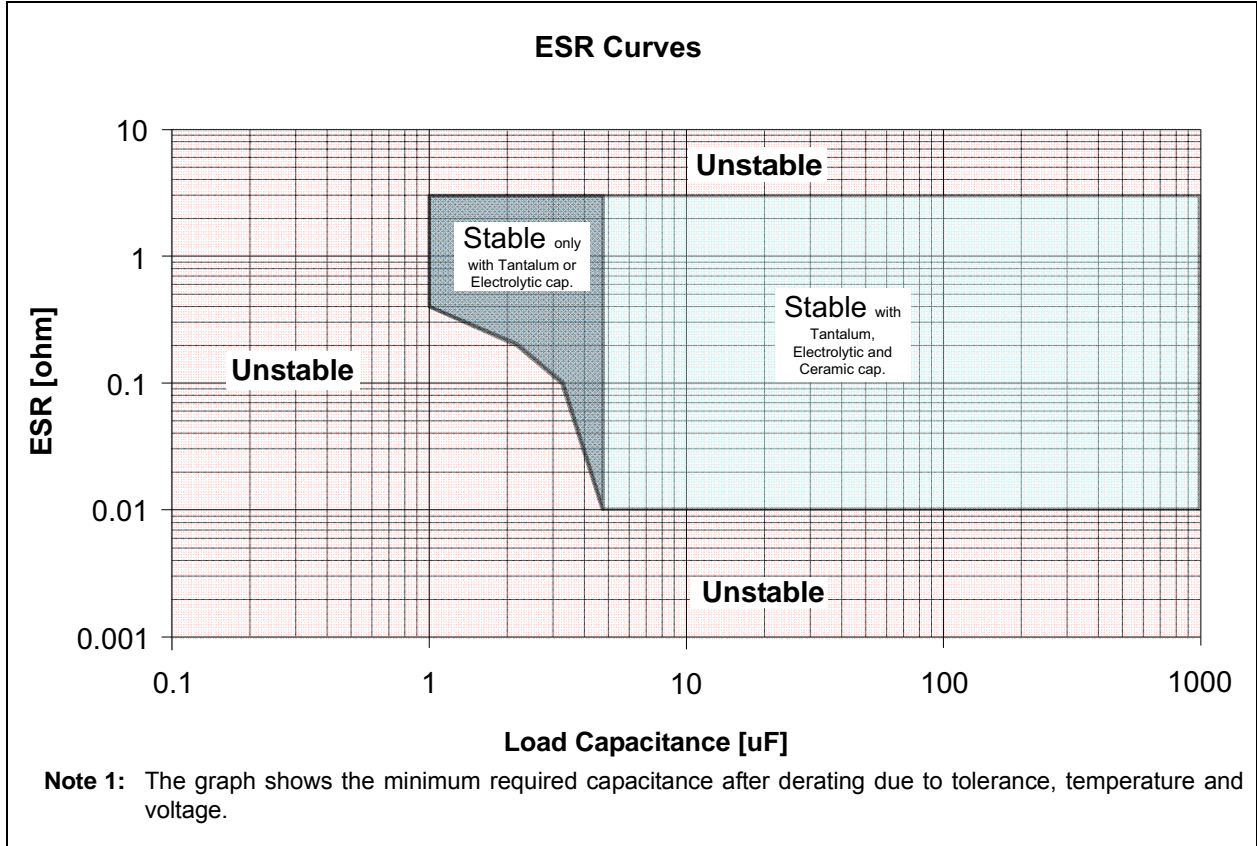
| DC Specifications                    | Electrical Characteristics: Unless otherwise indicated, all limits are specified for $V_{BB} = 6.0V$ to $18.0V$ , $T_A = -40^{\circ}C$ to $+125^{\circ}C$ , $C_{REG} = 10 \mu F$ . |      |      |      |                         |   |
|--------------------------------------|--|------|------|------|-------------------------|---|
| Parameter                            | Sym  | Min  | Typ  | Max  | Units                   | Conditions  |
| Capacitance of Slave Node            | CSLAVE   | —    | —    | 50   | pF                      | <a href="#">Note 2</a>  |
| Wake-Up Voltage Threshold on LIN Bus | VWK(LBUS)  | —    | —    | 3.4  | V                       | Wake-up from Power-Down mode ( <a href="#">Note 3</a> )   |
| <b>Voltage Regulator – 5.0V</b>      |  |      |      |      |                         |   |
| Output Voltage Range                 | VREG   | 4.85 | 5.00 | 5.15 | V                       | $0 \text{ mA} < I_{OUT} < 70 \text{ mA}$  |
| Line Regulation                      | $\Delta V_{OUT1}$  | —    | 10   | 50   | mV                      | $I_{OUT} = 1 \text{ mA}$<br>$6.0V < V_{BB} < 18V$   |
| Load Regulation                      | $\Delta V_{OUT2}$  | —    | 10   | 50   | mV                      | $5 \text{ mA} < I_{OUT} < 70 \text{ mA}$<br>$6.0V < V_{BB} < 12V$                               |
| Power Supply Ripple Reject           | PSRR   | —    | —    | 50   | dB                      | $1 V_{PP} @ 10 - 20 \text{ kHz}$<br>$I_{LOAD} = 20 \text{ mA}$                                  |
| Output Noise Voltage                 | eN   | —    | —    | 100  | $\mu V_{RMS}$           | 10 Hz – 40 MHz<br>$C_{FILTER} = 10 \mu f$<br>$C_{BP} = 0.1 \mu f$<br>$I_{LOAD} = 20 \text{ mA}$ |
| Shutdown Voltage Threshold           | VSD  | 3.5  | —    | 4.0  | V                       | See <a href="#">Figure 1-5 (Note 2)</a>   |
| Input Voltage to Turn-Off Output     | V <sub>OFF</sub>   | 3.9  | —    | 4.5  | V                       |   |
| Input Voltage to Turn-On Output      | V <sub>ON</sub>  | 5.25 | —    | 6.0  | V                       |   |
| <b>Voltage Regulator – 3.3V</b>      |  |      |      |      |                         |   |
| Output Voltage                       | VREG   | 3.20 | 3.30 | 3.40 | V                       | $0 \text{ mA} < I_{OUT} < 70 \text{ mA}$  |
| Line Regulation                      | $\Delta V_{OUT1}$  | —    | 10   | 50   | mV                      | $I_{OUT} = 1 \text{ mA}$<br>$6.0V < V_{BB} < 18V$   |
| Load Regulation                      | $\Delta V_{OUT2}$  | —    | 10   | 50   | mV                      | $5 \text{ mA} < I_{OUT} < 70 \text{ mA}$<br>$6.0V < V_{BB} < 12V$                               |
| Power Supply Ripple Reject           | PSRR   | —    | —    | 50   | dB                      | $1 V_{PP} @ 10 - 20 \text{ kHz}$<br>$I_{LOAD} = 20 \text{ mA}$                                  |
| Output Noise Voltage                 | eN   | —    | —    | 100  | $\mu V_{RMS}/\sqrt{Hz}$ | 10 Hz – 40 MHz<br>$C_{FILTER} = 10 \mu f$<br>$C_{BP} = 0.1 \mu f$<br>$I_{LOAD} = 20 \text{ mA}$ |
| Shutdown Voltage Threshold           | VSD  | 2.5  | —    | 2.7  | V                       | See <a href="#">Figure 1-5 (Note 2)</a>   |
| Input Voltage to Turn-Off Output     | V <sub>OFF</sub>   | 3.9  | —    | 4.5  | V                       |   |
| Input Voltage to Turn-On Output      | V <sub>ON</sub>  | 5.25 | —    | 6    | V                       |   |

**Note 1:** Internal current limited. 2.0 ms maximum recovery time ( $R_{LBUS} = 0W$ ,  $T_X = 0$ ,  $V_{LBUS} = V_{BB}$ ).

**2:** Characterized, not 100% tested.

**3:** In Power-Down mode, normal LIN recessive/dominant threshold is disabled. VWK(LBUS) is used to detect bus activities.

FIGURE 2-1: ESR CURVES FOR LOAD CAPACITOR SELECTION



# MCP2021A/2A

## 2.4 AC Specifications

| AC Characteristics   |           | Electrical Characteristics: Unless otherwise indicated, all limits are specified for $V_{BB} = 6.0V$ to $18.0V$ ; $T_A = -40^{\circ}C$ to $+125^{\circ}C$ . |     |       |         |   |
|--|-----------|---|-----|-------|---------|---|
| Parameter  | Sym       | Min   | Typ | Max   | Units   | Conditions  |
| <b>Bus Interface – Constant Slope Time Parameters</b>                        |           |   |     |       |         |   |
| Slope Rising and Falling Edges   | tSLOPE    | 3.5   | —   | 22.5  | $\mu s$ | $7.3V \leq V_{BB} \leq 18V$   |
| Propagation Delay of Transmitter   | tTRANSPD  | —   | —   | 5.0   | $\mu s$ | tTRANSPD = max.<br>(tTRANSPDR or tTRANSPDF)   |
| Propagation Delay of Receiver  | tRECPD    | —   | —   | 6.0   | $\mu s$ | tRECPD = max.<br>(tRECPDR or tRECPDF)   |
| Symmetry of Propagation Delay of Receiver Rising Edge w.r.t. Falling Edge    | tRECSYM   | -2.0  | —   | 2.0   | $\mu s$ | tRECSYM = max.<br>(tRECPDF – tRECPDR)<br>RRXD = 2.4 k $\Omega$ to VCC<br>CRXD = 20 pF   |
| Symmetry of Propagation Delay of Transmitter Rising Edge w.r.t. Falling Edge | tTRANSSYM | -2.0  | —   | 2.0   | $\mu s$ | tTRANSSYM = max.<br>(tTRANSPDF – tTRANSPDR)   |
| Bus Dominant Time-Out Time   | tTO(LIN)  | —   | 25  | —     | ms      |   |
| Time to Sample FAULT/TXE for Bus Conflict Reporting                          | tFAULT    | —   | —   | 32.5  | $\mu s$ | tFAULT = max.<br>(tTRANSPD + tSLOPE + tRECPD)   |
| Duty Cycle 1 @ 20.0 kbps   |           | 0.396   | —   | —     | %tBIT   | CBUS; RBUS conditions:<br>1 nF; 1 k $\Omega$   6.8 nF;<br>660 $\Omega$   10 nF; 500 $\Omega$<br>THREC(MAX) = 0.744 x VBB,<br>THDOM(MAX) = 0.581 x VBB,<br>VBB = 7.0V – 18V;<br>tBIT = 50 $\mu s$ .<br>D1 = tBUS_REC(MIN)/2 x tBIT |
| Duty Cycle 2 @ 20.0 kbps   |           | —   | —   | 0.581 | %tBIT   | CBUS; RBUS conditions:<br>1 nF; 1 k $\Omega$   6.8 nF;<br>660 $\Omega$   10 nF; 500 $\Omega$<br>THREC(MAX) = 0.284 x VBB,<br>THDOM(MAX) = 0.422 x VBB,<br>VBB = 7.6V – 18V;<br>tBIT = 50 $\mu s$ .<br>D2 = tBUS_REC(MAX)/2 x tBIT |
| Duty Cycle 3 @ 10.4 kbps   |           | 0.417   | —   | —     | %tBIT   | CBUS; RBUS conditions:<br>1 nF; 1 k $\Omega$   6.8 nF;<br>660 $\Omega$   10 nF; 500 $\Omega$<br>THREC(MAX) = 0.778 x VBB,<br>THDOM(MAX) = 0.616 x VBB,<br>VBB = 7.0V – 18V;<br>tBIT = 96 $\mu s$ .<br>D3 = tBUS_REC(MIN)/2 x tBIT |

- Note 1:** Time depends on external capacitance and load. Test condition: CREG = 4.7  $\mu F$ , no resistor load.  
**Note 2:** Characterized, not 100% tested.

## 2.4 AC Specifications (Continued)

| AC Characteristics                        | Electrical Characteristics: Unless otherwise indicated, all limits are specified for $V_{BB} = 6.0V$ to $18.0V$ ; $T_A = -40^{\circ}C$ to $+125^{\circ}C$ . |     |     |       |         |  |
|---|---|-----|-----|-------|---------|--|
| Parameter                                 | Sym   | Min | Typ | Max   | Units   | Conditions   |
| Duty Cycle 4 @ 10.4 kbps                  |   | —   | —   | 0.590 | %tBIT   | CBUS; RBUS conditions:<br>1 nF; 1 k $\Omega$   6.8 nF;<br>660 $\Omega$   10 nF; 500 $\Omega$<br>THREC(MAX) = 0.251 x V <sub>BB</sub> ,<br>THDOM(MAX) = 0.389 x V <sub>BB</sub> ,<br>V <sub>BB</sub> = 7.6V – 18V;<br>tBIT = 96 $\mu$ s.<br>D4 = tBUS_REC(MAX)/2 x tBIT |
| <b>Voltage Regulator</b>                  |   |     |     |       |         |  |
| Bus Activity Debounce time                | tBDB  | 30  | 80  | 250   | $\mu$ s |  |
| Bus Activity to Voltage Regulator Enabled | tBACTIVE  | 35  | —   | 200   | $\mu$ s |  |
| Voltage Regulator Enabled to Ready        | tVEVR   | 300 | —   | 1200  | $\mu$ s | Note 1   |
| Chip Select to Ready Mode                 | tCSR  | —   | —   | 230   | $\mu$ s |  |
| Chip Select to Power-Down                 | tCSPD   | —   | —   | 330   | $\mu$ s | Note 2   |
| Short Circuit to Shutdown                 | tSHUTDOWN   | 20  | —   | 100   | $\mu$ s |  |
| <b>RESET Timing</b>                       |   |     |     |       |         |  |
| VREG OK Detect to RESET Inactive          | tRPU  | —   | —   | 60    | $\mu$ s |  |
| VREG Not OK Detect to RESET Active        | tRPD  | —   | —   | 60    | $\mu$ s |  |

**Note 1:** Time depends on external capacitance and load. Test condition: C<sub>REG</sub> = 4.7  $\mu$ F, no resistor load.

**2:** Characterized, not 100% tested.

## 2.5 Thermal Specifications

| Parameter                          | Sym               | Min | Typ   | Max  | Units         | Test Conditions |
|------------------------------------|-------------------|-----|-------|------|---------------|-----------------|
| Specified Temperature Range        | T <sub>A</sub>    | -40 | —     | +125 | $^{\circ}C$   |                 |
| Maximum Junction Temperature       | T <sub>J</sub>    | —   | —     | +150 | $^{\circ}C$   |                 |
| Storage Temperature Range          | T <sub>A</sub>    | -65 | —     | +150 | $^{\circ}C$   |                 |
| Recovery Temperature               | $\theta$ RECOVERY | —   | +140  | —    | $^{\circ}C$   |                 |
| Shutdown Temperature               | $\theta$ SHUTDOWN | —   | +150  | —    | $^{\circ}C$   |                 |
| Short Circuit Recovery Time        | tTHERM            | —   | 1.5   | 5.0  | ms            |                 |
| <b>Thermal Package Resistances</b> |                   |     |       |      |               |                 |
| Thermal Resistance, 8L-PDIP        | $\theta$ JA       | —   | 89.3  | —    | $^{\circ}C/W$ |                 |
| Thermal Resistance, 8L-SOIC        | $\theta$ JA       | —   | 149.5 | —    | $^{\circ}C/W$ |                 |
| Thermal Resistance, 8L-DFN         | $\theta$ JA       | —   | 48    | —    | $^{\circ}C/W$ |                 |
| Thermal Resistance, 14L-PDIP       | $\theta$ JA       | —   | 70    | —    | $^{\circ}C/W$ |                 |
| Thermal Resistance, 14L-SOIC       | $\theta$ JA       | —   | 90.8  | —    | $^{\circ}C/W$ |                 |
| Thermal Resistance, 14L-TSSOP      | $\theta$ JA       | —   | 100   | —    | $^{\circ}C/W$ |                 |

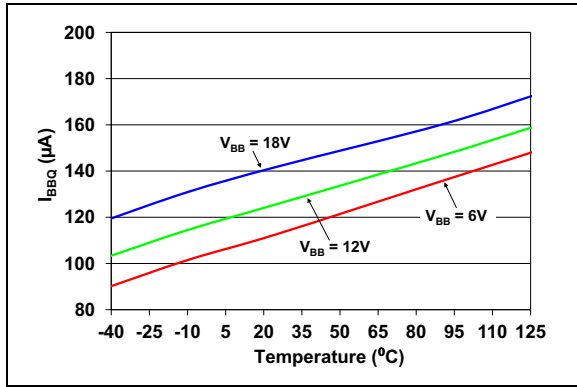
**Note 1:** The maximum power dissipation is a function of T<sub>JMAX</sub>,  $\theta$ JA, and ambient temperature, T<sub>A</sub>. The maximum allowable power dissipation at an ambient temperature is  $P_D = (T_{JMAX} - T_A) \theta_{JA}$ . If this dissipation is exceeded, the die temperature will rise above 150 $^{\circ}C$  and the MCP2021A/2A will go into thermal shutdown.

# MCP2021A/2A

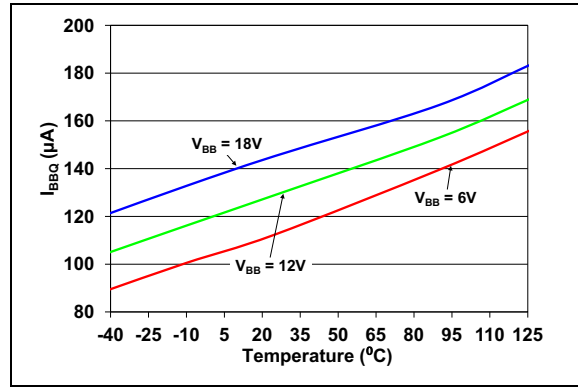
## 2.6 Typical Performance Curves

**Note:** The graphs and tables provided following this note are a statistical summary based on a limited number of samples and are provided for informational purposes only. The performance characteristics listed herein are not tested or guaranteed. In some graphs or tables, the data presented may be outside the specified operating range (e.g., outside specified power supply range) and therefore outside the warranted range.

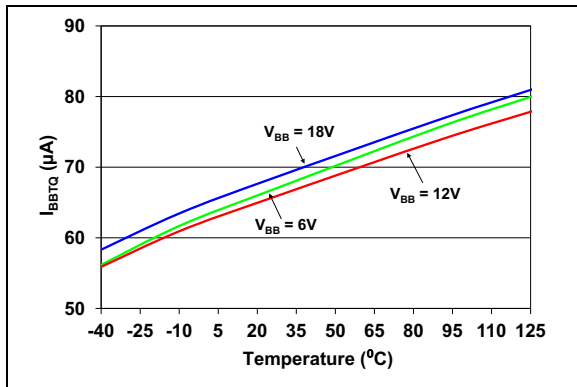
**Note:** Unless otherwise indicated,  $V_{BB} = 6.0V$  to  $18.0V$ ;  $T_A = -40^{\circ}C$  to  $+125^{\circ}C$ .



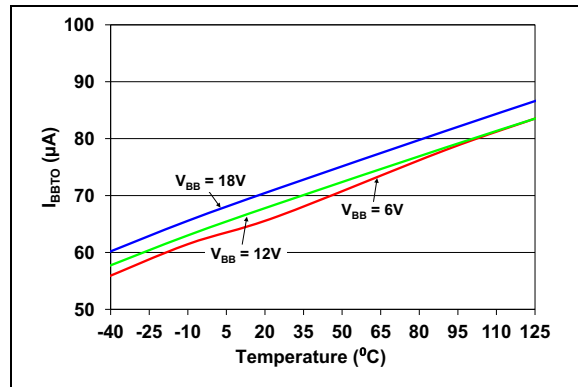
**FIGURE 2-2:** Typical  $I_{BBQ}$  vs. Temperature – 5.0V.



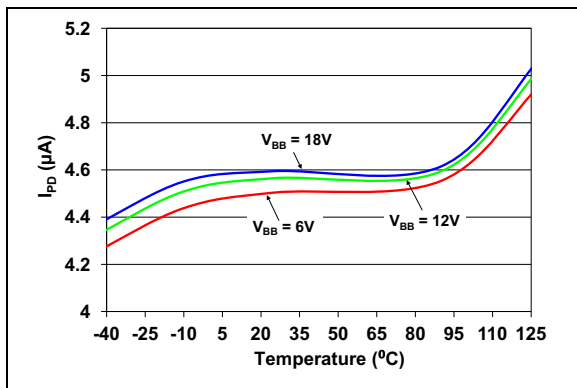
**FIGURE 2-5:** Typical  $I_{BBQ}$  vs. Temperature – 3.3V.



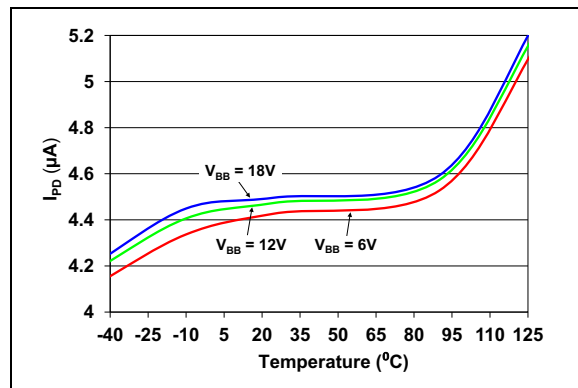
**FIGURE 2-3:** Typical  $I_{BBQ}$  vs. Temperature – 5.0V.



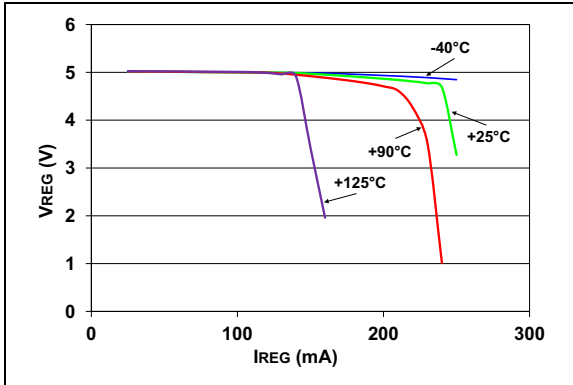
**FIGURE 2-6:** Typical  $I_{BBQ}$  vs. Temperature – 3.3V.



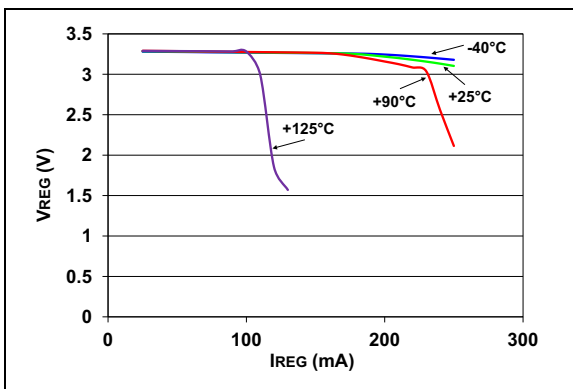
**FIGURE 2-4:** Typical  $I_{PD}$  vs. Temperature – 5.0V.



**FIGURE 2-7:** Typical  $I_{PD}$  vs. Temperature – 3.3V.



**FIGURE 2-8:** 5.0V  $V_{REG}$  vs.  $I_{REG}$  at  $V_{BB} = 12V$ .

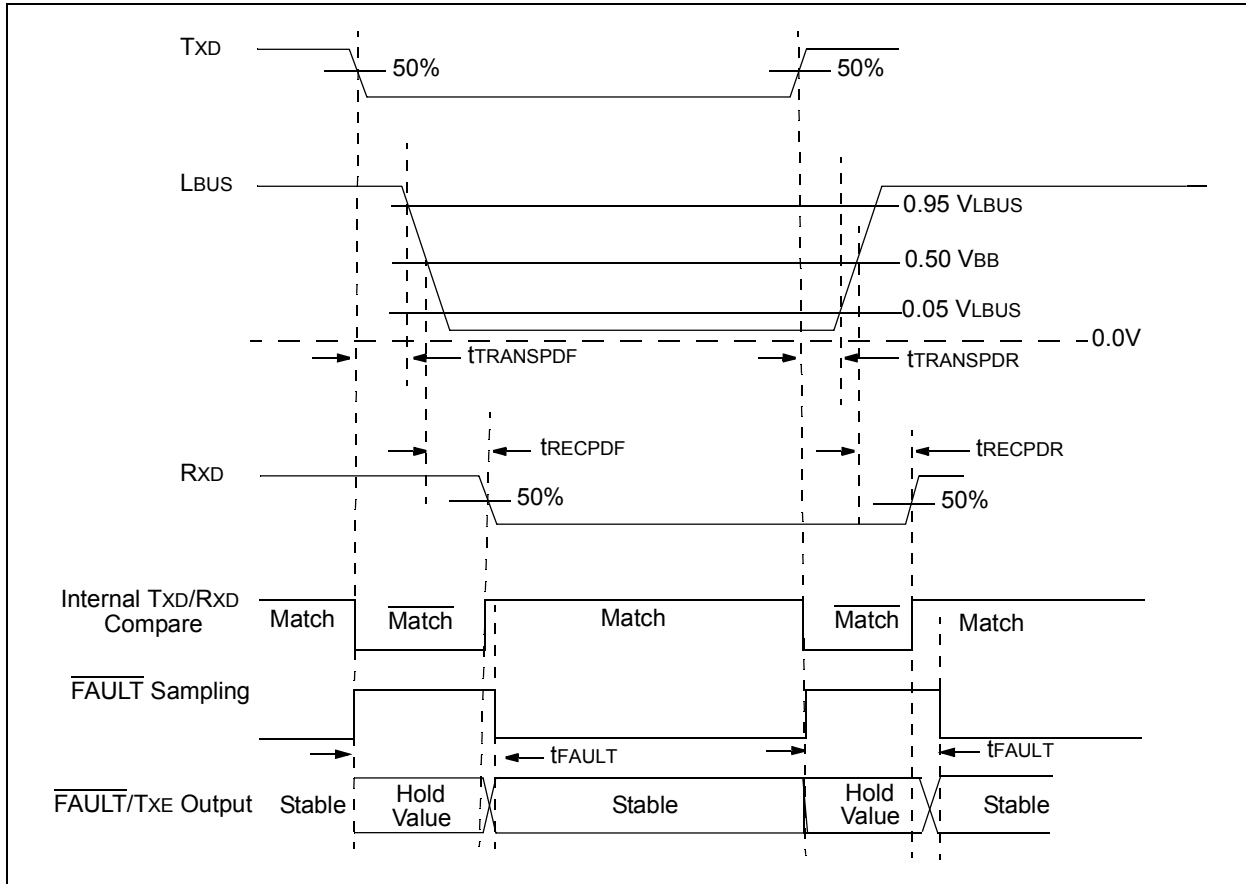


**FIGURE 2-9:** 3.3V  $V_{REG}$  vs.  $I_{REG}$  at  $V_{BB} = 12V$ .

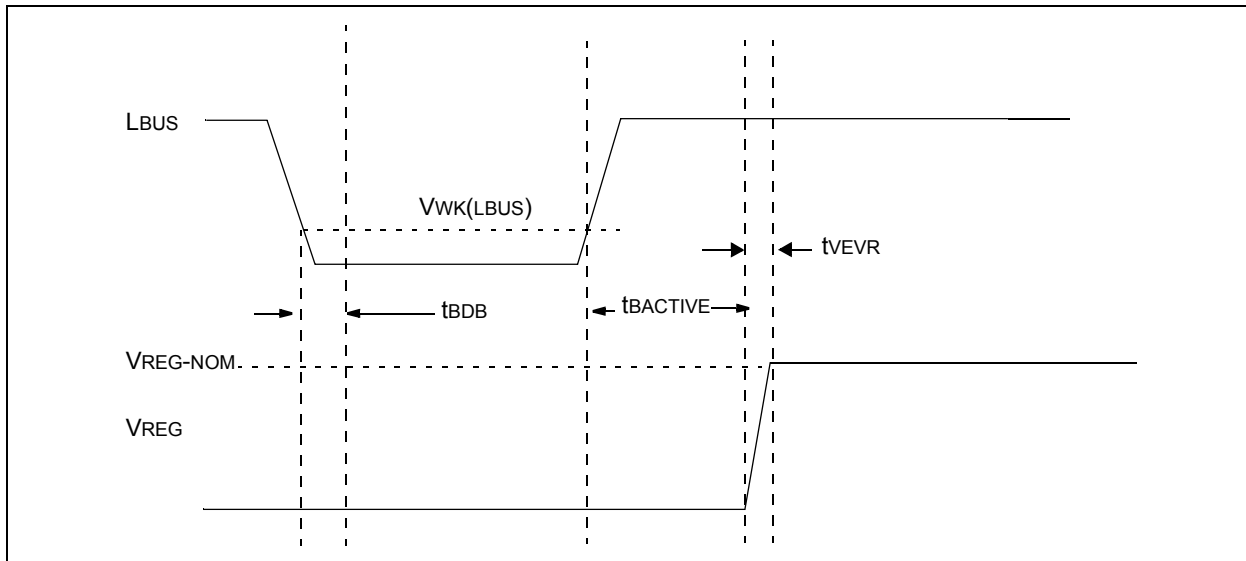
# MCP2021A/2A

## 2.7 Timing Diagrams and Specifications

**FIGURE 2-10: BUS TIMING DIAGRAM**

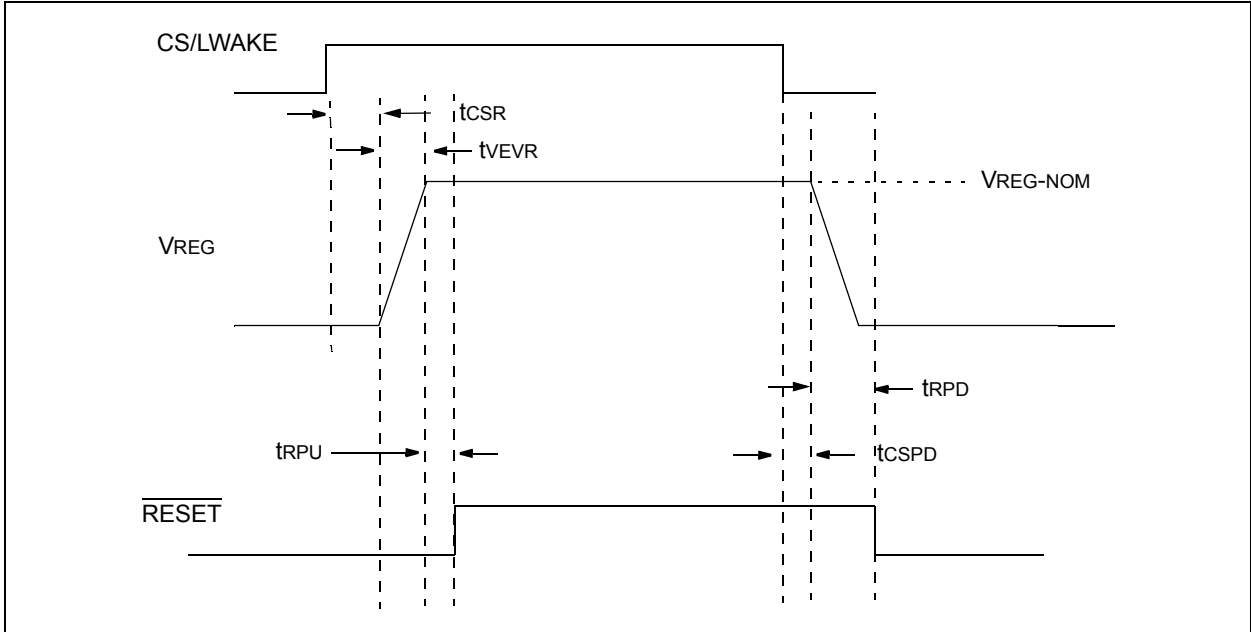


**FIGURE 2-11: REGULATOR CS/LWAKE TIMING DIAGRAM**





**FIGURE 2-12: CS/LWAKE, REGULATOR AND RESET TIMING DIAGRAM**

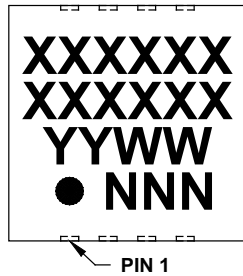


# MCP2021A/2A

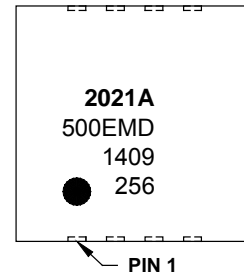
## 3.0 PACKAGING INFORMATION

### 3.1 Package Marking Information

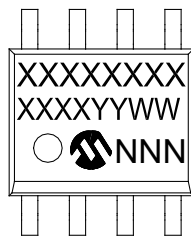
8-Lead DFN (4x4x0.9 mm) (MCP2021A)



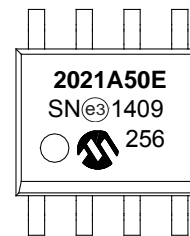
Example



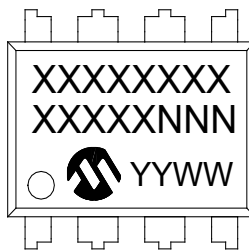
8-Lead SOIC (150 mil) (MCP2021A)



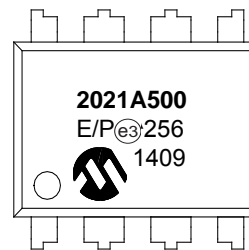
Example



8-Lead PDIP (300 mil) (MCP2021A)



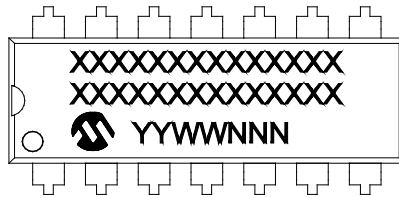
Example



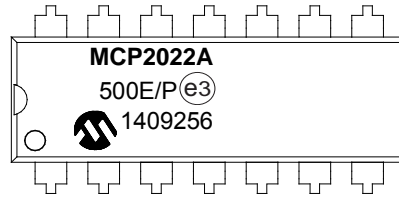
|                |   |   |
|----------------|---|---|
| <b>Legend:</b> | XX...X  | Customer-specific information   |
|                | Y   | Year code (last digit of calendar year)   |
|                | YY  | Year code (last 2 digits of calendar year)  |
|                | WW  | Week code (week of January 1 is week '01')  |
|                | NNN   | Alphanumeric traceability code  |
|                | Ⓜ   | Pb-free JEDEC® designator for Matte Tin (Sn)  |
|                | *   | This package is Pb-free. The Pb-free JEDEC designator (Ⓜ) can be found on the outer packaging for this package. |
| <b>Note:</b>   | In the event the full Microchip part number cannot be marked on one line, it will be carried over to the next line, thus limiting the number of available characters for customer-specific information. |   |

## Package Marking Information (Continued)

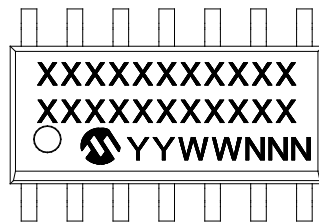
14-Lead PDIP (300 mil) (MCP2022A)



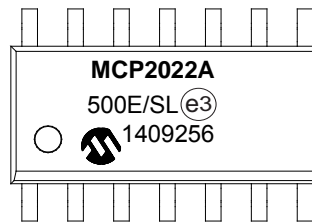
Example



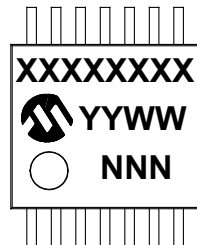
14-Lead SOIC (.150") (MCP2022A)



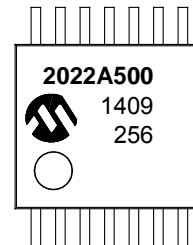
Example



14-Lead TSSOP (MCP2022A)



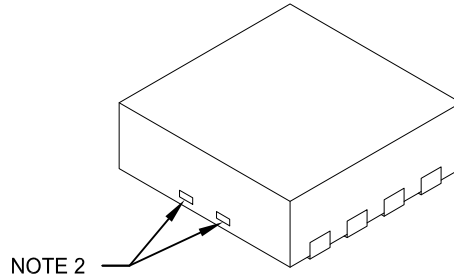
Example





## 8-Lead Plastic Dual Flat, No Lead Package (MD) – 4x4x0.9 mm Body [DFN]

**Note:** For the most current package drawings, please see the Microchip Packaging Specification located at <http://www.microchip.com/packaging>



| Dimension Limits       | Units | MILLIMETERS |      |      |
|------------------------|-------|-------------|------|------|
|                        |       | MIN         | NOM  | MAX  |
| Number of Pins         | N     | 8           |      |      |
| Pitch                  | e     | 0.80 BSC    |      |      |
| Overall Height         | A     | 0.80        | 0.90 | 1.00 |
| Standoff               | A1    | 0.00        | 0.02 | 0.05 |
| Contact Thickness      | A3    | 0.20 REF    |      |      |
| Overall Length         | D     | 4.00 BSC    |      |      |
| Exposed Pad Width      | E2    | 2.60        | 2.70 | 2.80 |
| Overall Width          | E     | 4.00 BSC    |      |      |
| Exposed Pad Length     | D2    | 3.40        | 3.50 | 3.60 |
| Contact Width          | b     | 0.25        | 0.30 | 0.35 |
| Contact Length         | L     | 0.30        | 0.40 | 0.50 |
| Contact-to-Exposed Pad | K     | 0.20        | -    | -    |

**Notes:**

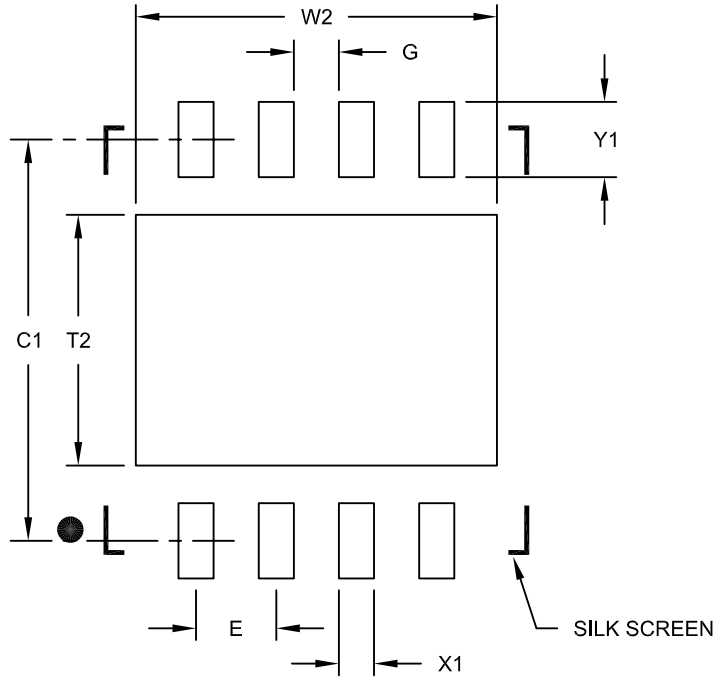
1. Pin 1 visual index feature may vary, but must be located within the hatched area.
2. Package may have one or more exposed tie bars at ends.
3. Package is saw singulated
4. Dimensioning and tolerancing per ASME Y14.5M
  - BSC: Basic Dimension. Theoretically exact value shown without tolerances.
  - REF: Reference Dimension, usually without tolerance, for information purposes only.

Microchip Technology Drawing C04-131E Sheet 2 of 2

# MCP2021A/2A

8-Lead Plastic Dual Flat, No Lead Package (MD) - 4x4x0.9 mm Body [DFN]

**Note:** For the most current package drawings, please see the Microchip Packaging Specification located at <http://www.microchip.com/packaging>



RECOMMENDED LAND PATTERN

| Dimension Limits           | Units | MILLIMETERS |      |      |
|----------------------------|-------|-------------|------|------|
|                            |       | MIN         | NOM  | MAX  |
| Contact Pitch              | E     | 0.80 BSC    |      |      |
| Optional Center Pad Width  | W2    |             |      | 3.60 |
| Optional Center Pad Length | T2    |             |      | 2.50 |
| Contact Pad Spacing        | C1    |             | 4.00 |      |
| Contact Pad Width (X8)     | X1    |             |      | 0.35 |
| Contact Pad Length (X8)    | Y1    |             |      | 0.75 |
| Distance Between Pads      | G     | 0.45        |      |      |

Notes:

1. Dimensioning and tolerancing per ASME Y14.5M

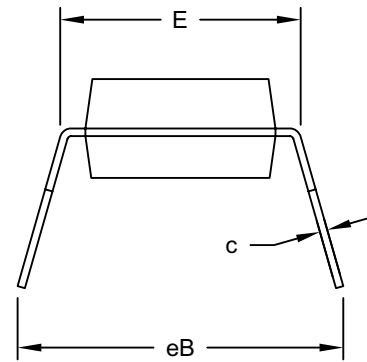
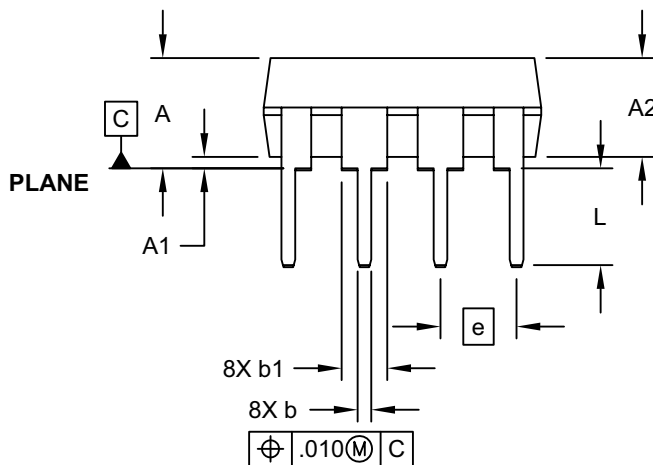
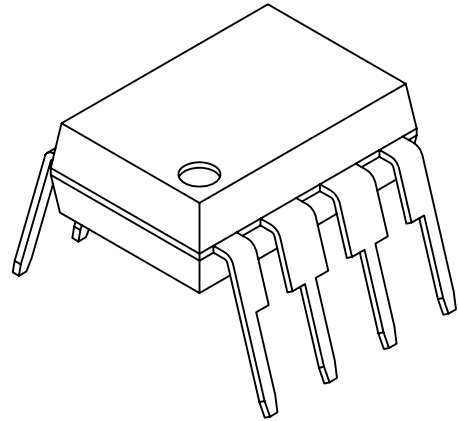
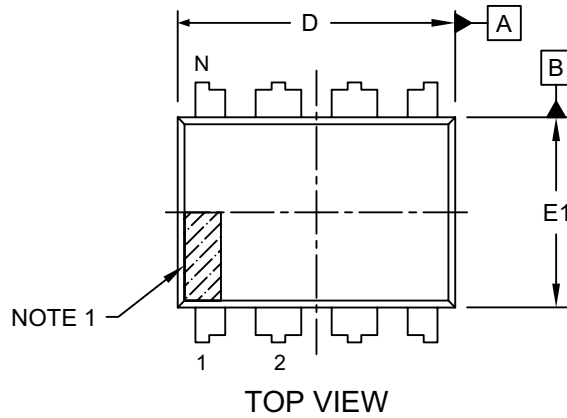
BSC: Basic Dimension. Theoretically exact value shown without tolerances.

Microchip Technology Drawing No. C04-2131C

# MCP2021A/2A

## 8-Lead Plastic Dual In-Line (P) - 300 mil Body [PDIP]

**Note:** For the most current package drawings, please see the Microchip Packaging Specification located at <http://www.microchip.com/packaging>



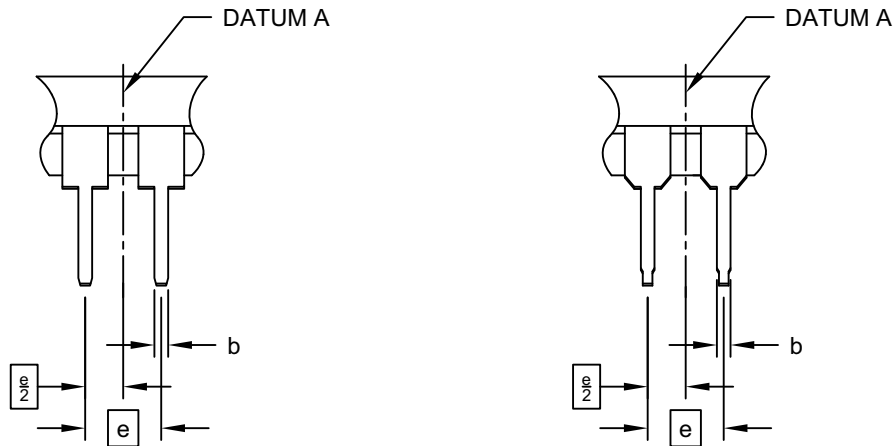
Microchip Technology Drawing No. C04-018D Sheet 1 of 2

# MCP2021A/2A

## 8-Lead Plastic Dual In-Line (P) - 300 mil Body [PDIP]

**Note:** For the most current package drawings, please see the Microchip Packaging Specification located at <http://www.microchip.com/packaging>

### ALTERNATE LEAD DESIGN (VENDOR DEPENDENT)



| Units                      |    | INCHES   |      |      |
|----------------------------|----|----------|------|------|
| Dimension Limits           |    | MIN      | NOM  | MAX  |
| Number of Pins             | N  | 8        |      |      |
| Pitch                      | e  | .100 BSC |      |      |
| Top to Seating Plane       | A  | -        | -    | .210 |
| Molded Package Thickness   | A2 | .115     | .130 | .195 |
| Base to Seating Plane      | A1 | .015     | -    | -    |
| Shoulder to Shoulder Width | E  | .290     | .310 | .325 |
| Molded Package Width       | E1 | .240     | .250 | .280 |
| Overall Length             | D  | .348     | .365 | .400 |
| Tip to Seating Plane       | L  | .115     | .130 | .150 |
| Lead Thickness             | c  | .008     | .010 | .015 |
| Upper Lead Width           | b1 | .040     | .060 | .070 |
| Lower Lead Width           | b  | .014     | .018 | .022 |
| Overall Row Spacing        | §  | eB       | -    | .430 |

**Notes:**

1. Pin 1 visual index feature may vary, but must be located within the hatched area.
2. § Significant Characteristic
3. Dimensions D and E1 do not include mold flash or protrusions. Mold flash or protrusions shall not exceed .010" per side.
4. Dimensioning and tolerancing per ASME Y14.5M

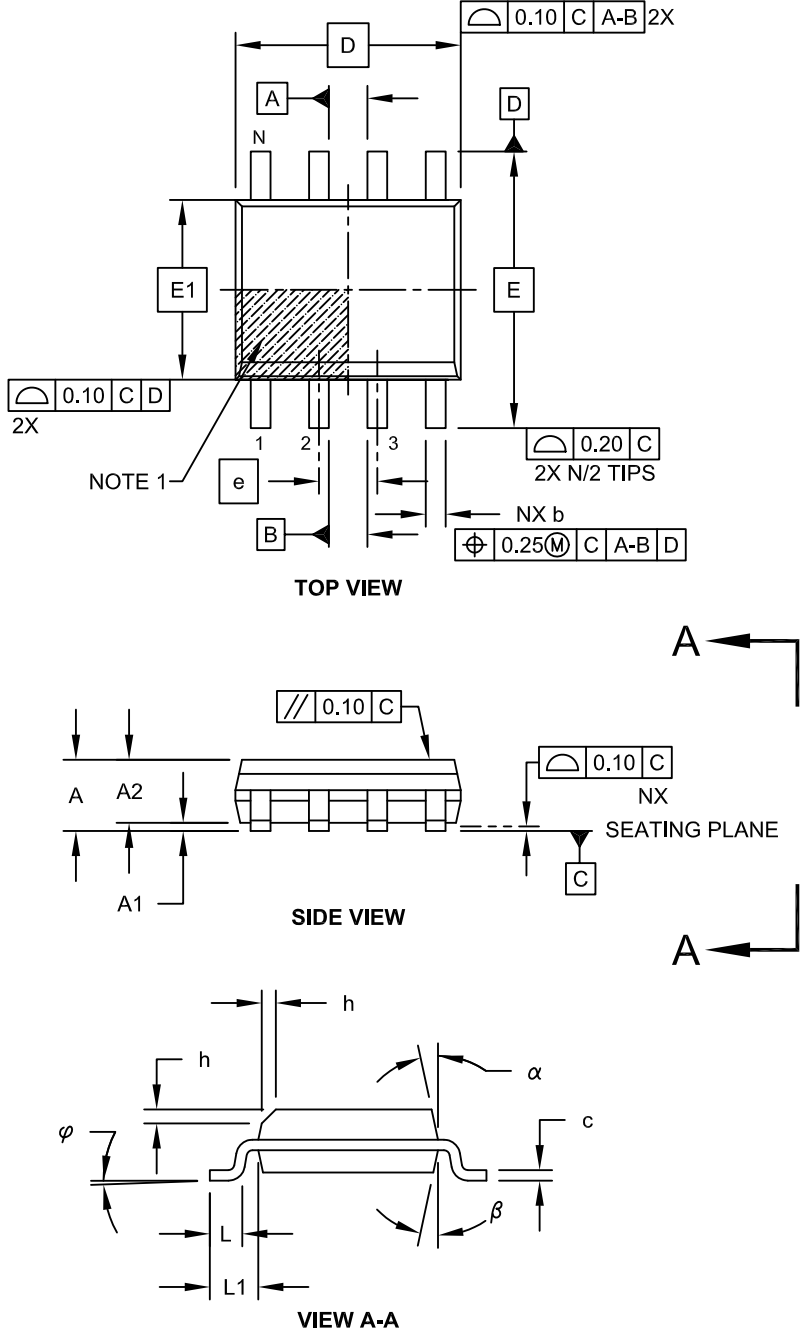
BSC: Basic Dimension. Theoretically exact value shown without tolerances.

Microchip Technology Drawing No. C04-018D Sheet 2 of 2



## 8-Lead Plastic Small Outline (SN) - Narrow, 3.90 mm Body [SOIC]

**Note:** For the most current package drawings, please see the Microchip Packaging Specification located at <http://www.microchip.com/packaging>

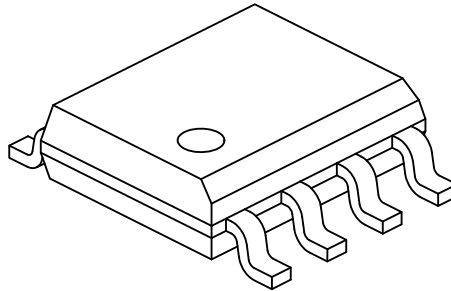


Microchip Technology Drawing No. C04-057C Sheet 1 of 2

# MCP2021A/2A

## 8-Lead Plastic Small Outline (SN) - Narrow, 3.90 mm Body [SOIC]

**Note:** For the most current package drawings, please see the Microchip Packaging Specification located at <http://www.microchip.com/packaging>



|                          |           | Units | MILLIMETERS |     |      |
|--------------------------|-----------|-------|-------------|-----|------|
| Dimension Limits         |           |       | MIN         | NOM | MAX  |
| Number of Pins           | N         |       | 8           |     |      |
| Pitch                    | e         |       | 1.27 BSC    |     |      |
| Overall Height           | A         |       | -           | -   | 1.75 |
| Molded Package Thickness | A2        |       | 1.25        | -   | -    |
| Standoff §               | A1        |       | 0.10        | -   | 0.25 |
| Overall Width            | E         |       | 6.00 BSC    |     |      |
| Molded Package Width     | E1        |       | 3.90 BSC    |     |      |
| Overall Length           | D         |       | 4.90 BSC    |     |      |
| Chamfer (Optional)       | h         |       | 0.25        | -   | 0.50 |
| Foot Length              | L         |       | 0.40        | -   | 1.27 |
| Footprint                | L1        |       | 1.04 REF    |     |      |
| Foot Angle               | $\varphi$ |       | 0°          | -   | 8°   |
| Lead Thickness           | c         |       | 0.17        | -   | 0.25 |
| Lead Width               | b         |       | 0.31        | -   | 0.51 |
| Mold Draft Angle Top     | $\alpha$  |       | 5°          | -   | 15°  |
| Mold Draft Angle Bottom  | $\beta$   |       | 5°          | -   | 15°  |

### Notes:

1. Pin 1 visual index feature may vary, but must be located within the hatched area.
2. § Significant Characteristic
3. Dimensions D and E1 do not include mold flash or protrusions. Mold flash or protrusions shall not exceed 0.15mm per side.
4. Dimensioning and tolerancing per ASME Y14.5M

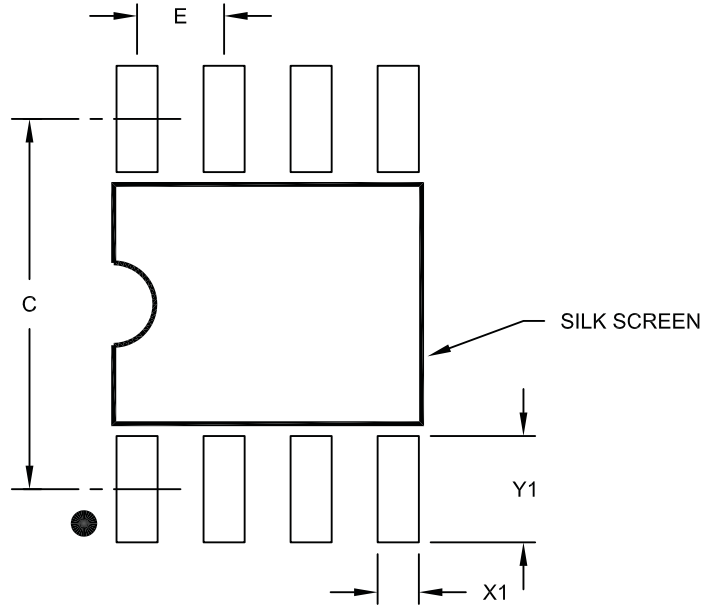
BSC: Basic Dimension. Theoretically exact value shown without tolerances.

REF: Reference Dimension, usually without tolerance, for information purposes only.

Microchip Technology Drawing No. C04-057C Sheet 2 of 2

## 8-Lead Plastic Small Outline (SN) – Narrow, 3.90 mm Body [SOIC]

**Note:** For the most current package drawings, please see the Microchip Packaging Specification located at <http://www.microchip.com/packaging>



RECOMMENDED LAND PATTERN

| Dimension Limits        | Units | MILLIMETERS |      |      |
|-------------------------|-------|-------------|------|------|
|                         |       | MIN         | NOM  | MAX  |
| Contact Pitch           | E     | 1.27 BSC    |      |      |
| Contact Pad Spacing     | C     |             | 5.40 |      |
| Contact Pad Width (X8)  | X1    |             |      | 0.60 |
| Contact Pad Length (X8) | Y1    |             |      | 1.55 |

Notes:

1. Dimensioning and tolerancing per ASME Y14.5M

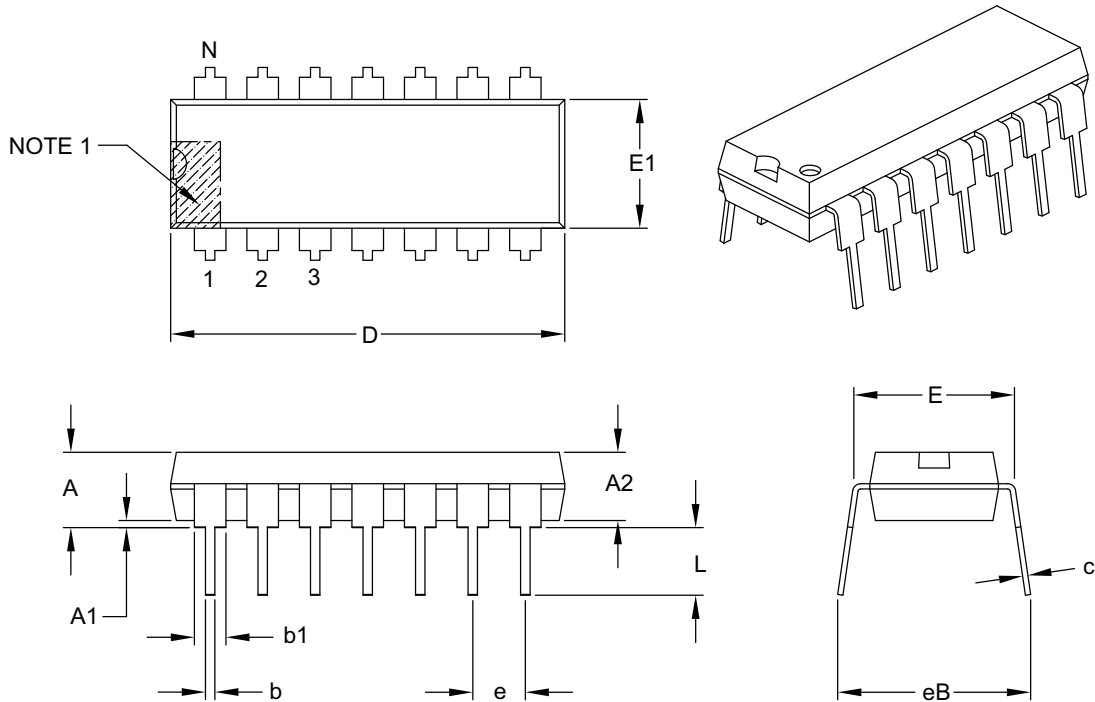
BSC: Basic Dimension. Theoretically exact value shown without tolerances.

Microchip Technology Drawing No. C04-2057A

# MCP2021A/2A

## 14-Lead Plastic Dual In-Line (P) – 300 mil Body [PDIP]

**Note:** For the most current package drawings, please see the Microchip Packaging Specification located at <http://www.microchip.com/packaging>



| Dimension Limits           | Units | INCHES   |      |      |
|----------------------------|-------|----------|------|------|
|                            |       | MIN      | NOM  | MAX  |
| Number of Pins             | N     | 14       |      |      |
| Pitch                      | e     | .100 BSC |      |      |
| Top to Seating Plane       | A     | –        | –    | .210 |
| Molded Package Thickness   | A2    | .115     | .130 | .195 |
| Base to Seating Plane      | A1    | .015     | –    | –    |
| Shoulder to Shoulder Width | E     | .290     | .310 | .325 |
| Molded Package Width       | E1    | .240     | .250 | .280 |
| Overall Length             | D     | .735     | .750 | .775 |
| Tip to Seating Plane       | L     | .115     | .130 | .150 |
| Lead Thickness             | c     | .008     | .010 | .015 |
| Upper Lead Width           | b1    | .045     | .060 | .070 |
| Lower Lead Width           | b     | .014     | .018 | .022 |
| Overall Row Spacing §      | eB    | –        | –    | .430 |

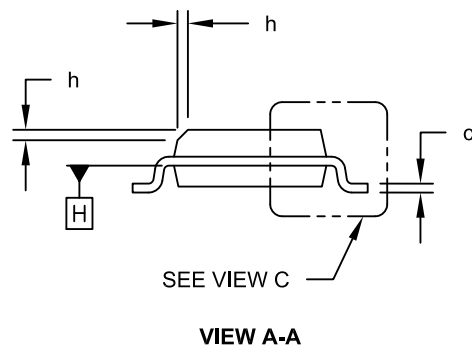
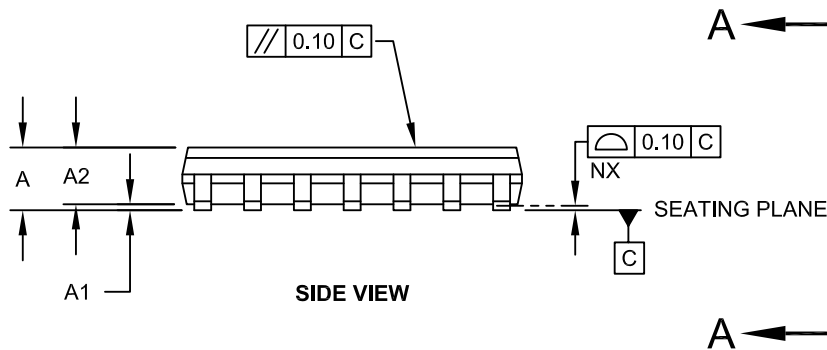
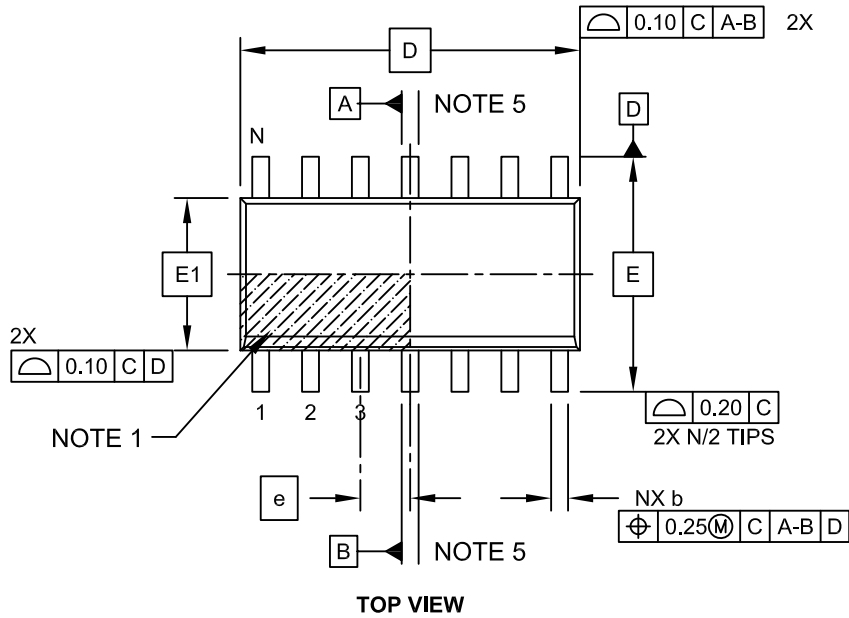
**Notes:**

- Pin 1 visual index feature may vary, but must be located with the hatched area.
- § Significant Characteristic.
- Dimensions D and E1 do not include mold flash or protrusions. Mold flash or protrusions shall not exceed .010" per side.
- Dimensioning and tolerancing per ASME Y14.5M.  
BSC: Basic Dimension. Theoretically exact value shown without tolerances.

Microchip Technology Drawing C04-005B

## 14-Lead Plastic Small Outline (SL) - Narrow, 3.90 mm Body [SOIC]

**Note:** For the most current package drawings, please see the Microchip Packaging Specification located at <http://www.microchip.com/packaging>

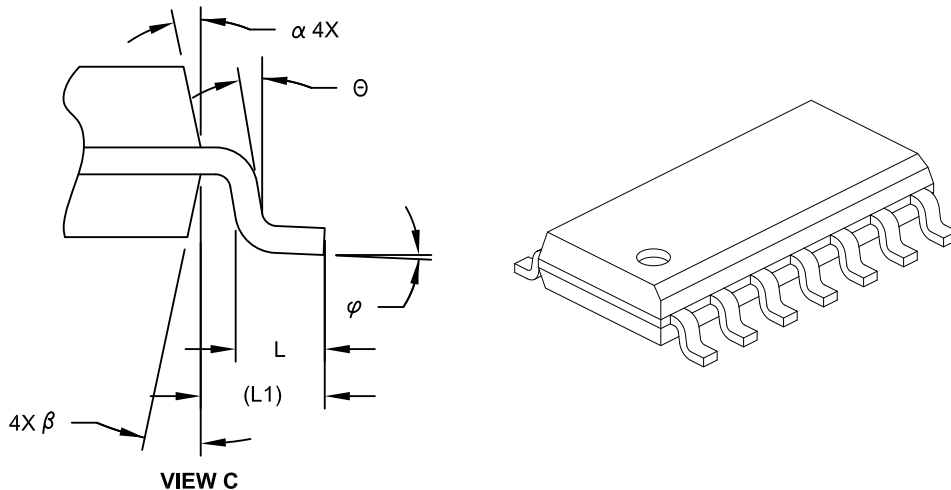


Microchip Technology Drawing No. C04-065C Sheet 1 of 2

# MCP2021A/2A

## 14-Lead Plastic Small Outline (SL) - Narrow, 3.90 mm Body [SOIC]

**Note:** For the most current package drawings, please see the Microchip Packaging Specification located at <http://www.microchip.com/packageing>



| Dimension Limits         | Units | MILLIMETERS |     |      |
|--------------------------|-------|-------------|-----|------|
|                          |       | MIN         | NOM | MAX  |
| Number of Pins           | N     | 14          |     |      |
| Pitch                    | e     | 1.27 BSC    |     |      |
| Overall Height           | A     | -           | -   | 1.75 |
| Molded Package Thickness | A2    | 1.25        | -   | -    |
| Standoff §               | A1    | 0.10        | -   | 0.25 |
| Overall Width            | E     | 6.00 BSC    |     |      |
| Molded Package Width     | E1    | 3.90 BSC    |     |      |
| Overall Length           | D     | 8.65 BSC    |     |      |
| Chamfer (Optional)       | h     | 0.25        | -   | 0.50 |
| Foot Length              | L     | 0.40        | -   | 1.27 |
| Footprint                | L1    | 1.04 REF    |     |      |
| Lead Angle               | θ     | 0°          | -   | -    |
| Foot Angle               | φ     | 0°          | -   | 8°   |
| Lead Thickness           | c     | 0.10        | -   | 0.25 |
| Lead Width               | b     | 0.31        | -   | 0.51 |
| Mold Draft Angle Top     | α     | 5°          | -   | 15°  |
| Mold Draft Angle Bottom  | β     | 5°          | -   | 15°  |

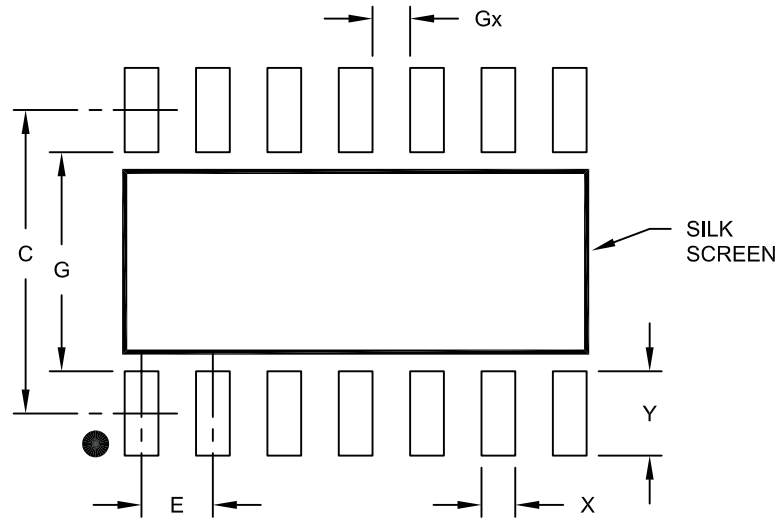
**Notes:**

- Pin 1 visual index feature may vary, but must be located within the hatched area.
- § Significant Characteristic
- Dimension D does not include mold flash, protrusions or gate burrs, which shall not exceed 0.15 mm per end. Dimension E1 does not include interlead flash or protrusion, which shall not exceed 0.25 mm per side.
- Dimensioning and tolerancing per ASME Y14.5M  
 BSC: Basic Dimension. Theoretically exact value shown without tolerances.  
 REF: Reference Dimension, usually without tolerance, for information purposes only.
- Datums A & B to be determined at Datum H.

Microchip Technology Drawing No. C04-065C Sheet 2 of 2

## 14-Lead Plastic Small Outline (SL) - Narrow, 3.90 mm Body [SOIC]

**Note:** For the most current package drawings, please see the Microchip Packaging Specification located at <http://www.microchip.com/packaging>



RECOMMENDED LAND PATTERN

| Dimension Limits      | Units | MILLIMETERS |      |      |
|-----------------------|-------|-------------|------|------|
|                       |       | MIN         | NOM  | MAX  |
| Contact Pitch         | E     | 1.27 BSC    |      |      |
| Contact Pad Spacing   | C     |             | 5.40 |      |
| Contact Pad Width     | X     |             |      | 0.60 |
| Contact Pad Length    | Y     |             |      | 1.50 |
| Distance Between Pads | Gx    | 0.67        |      |      |
| Distance Between Pads | G     | 3.90        |      |      |

**Notes:**

1. Dimensioning and tolerancing per ASME Y14.5M

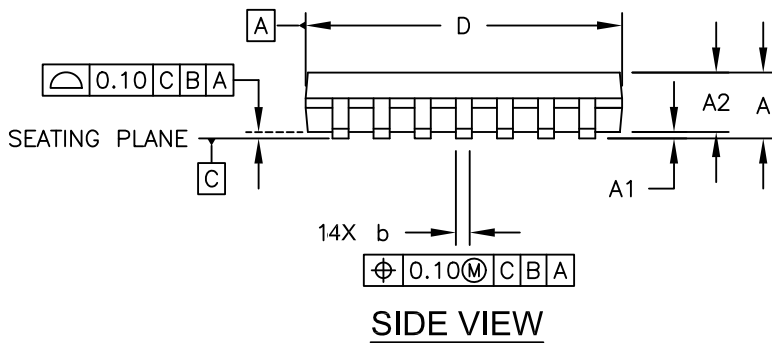
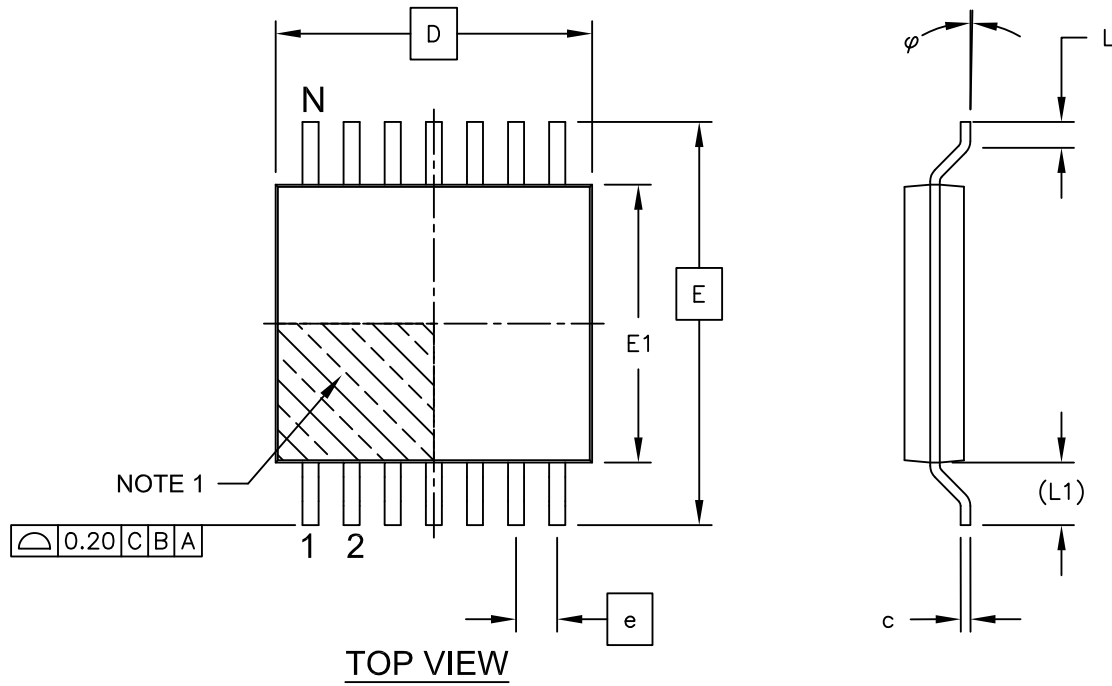
BSC: Basic Dimension. Theoretically exact value shown without tolerances.

Microchip Technology Drawing No. C04-2065A

# MCP2021A/2A

## 14-Lead Plastic Thin Shrink Small Outline (ST) - 4.4 mm Body [TSSOP]

**Note:** For the most current package drawings, please see the Microchip Packaging Specification located at <http://www.microchip.com/packaging>

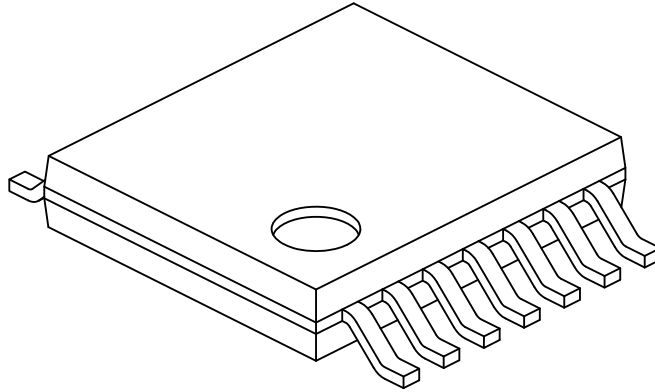


Microchip Technology Drawing C04-087C Sheet 1 of 2



## 14-Lead Plastic Thin Shrink Small Outline (ST) - 4.4 mm Body [TSSOP]

**Note:** For the most current package drawings, please see the Microchip Packaging Specification located at <http://www.microchip.com/packaging>



| Units                    |           | MILLIMETERS |      |      |
|--------------------------|-----------|-------------|------|------|
| Dimension                | Limits    | MIN         | NOM  | MAX  |
| Number of Pins           | N         | 14          |      |      |
| Pitch                    | e         | 0.65 BSC    |      |      |
| Overall Height           | A         | -           | -    | 1.20 |
| Molded Package Thickness | A2        | 0.80        | 1.00 | 1.05 |
| Standoff                 | A1        | 0.05        | -    | 0.15 |
| Overall Width            | E         | 6.40 BSC    |      |      |
| Molded Package Width     | E1        | 4.30        | 4.40 | 4.50 |
| Molded Package Length    | D         | 4.90        | 5.00 | 5.10 |
| Foot Length              | L         | 0.45        | 0.60 | 0.75 |
| Footprint                | (L1)      | 1.00 REF    |      |      |
| Foot Angle               | $\varphi$ | 0°          | -    | 8°   |
| Lead Thickness           | c         | 0.09        | -    | 0.20 |
| Lead Width               | b         | 0.19        | -    | 0.30 |

**Notes:**

- Pin 1 visual index feature may vary, but must be located within the hatched area.
- Dimensions D and E1 do not include mold flash or protrusions. Mold flash or protrusions shall not exceed 0.15mm per side.
- Dimensioning and tolerancing per ASME Y14.5M

BSC: Basic Dimension. Theoretically exact value shown without tolerances.

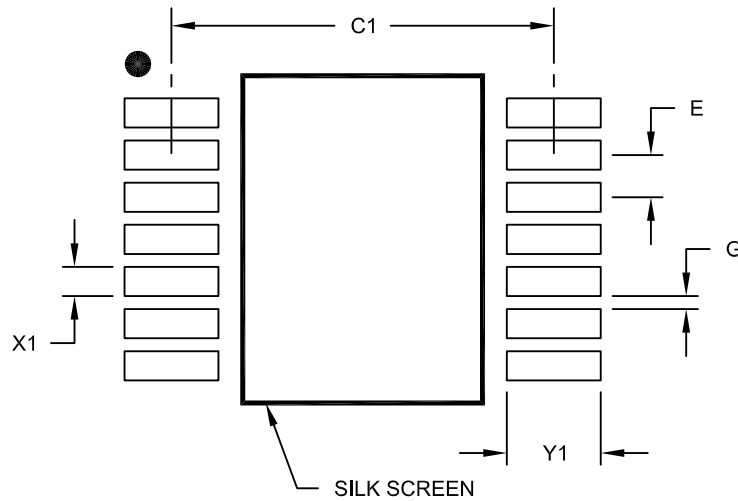
REF: Reference Dimension, usually without tolerance, for information purposes only.

Microchip Technology Drawing No. C04-087C Sheet 2 of 2

# MCP2021A/2A

## 14-Lead Plastic Thin Shrink Small Outline (ST) - 4.4 mm Body [TSSOP]

**Note:** For the most current package drawings, please see the Microchip Packaging Specification located at <http://www.microchip.com/packaging>



### RECOMMENDED LAND PATTERN

| Dimension Limits         | Units | MILLIMETERS |      |      |
|--------------------------|-------|-------------|------|------|
|                          |       | MIN         | NOM  | MAX  |
| Contact Pitch            | E     | 0.65 BSC    |      |      |
| Contact Pad Spacing      | C1    |             | 5.90 |      |
| Contact Pad Width (X14)  | X1    |             |      | 0.45 |
| Contact Pad Length (X14) | Y1    |             |      | 1.45 |
| Distance Between Pads    | G     | 0.20        |      |      |

**Notes:**

1. Dimensioning and tolerancing per ASME Y14.5M

BSC: Basic Dimension. Theoretically exact value shown without tolerances.

Microchip Technology Drawing No. C04-2087A

## APPENDIX A: REVISION HISTORY

### Revision C (July 2014)

The following is the list of modifications:

1. Updated **Section 1.6 “Typical Applications”** with values used during ESD tests.
2. Minor typographical corrections.
3. Updated 8-Lead PDIP Package.

### Revision B (December 2013)

The following is the list of modifications:

1. Removed two notes in [AC Specifications](#).
2. Updated [Figure 1-3](#).
3. Added pull-up to  $\overline{\text{FAULT/TXE}}$  pin in the pin description and typical applications.
4. Revised product identification examples for SOIC package.

### Revision A (March 2012)

- Original Release of this Document.

# MCP2021A/2A

## PRODUCT IDENTIFICATION SYSTEM

To order or obtain information, e.g., on pricing or delivery, refer to the factory or the listed sales office.

| <u>PART NO.</u>           | <u>-X</u>   | <u>-X</u>         | <u>/XX</u> | <b>Examples:</b>   |
|---------------------------|---|-------------------|------------|--|
| Device                    | Voltage   | Temperature Range | Package    |  |
| <b>Device:</b>            | MCP2021A: LIN Transceiver with Voltage Regulator<br>MCP2021AT: LIN Transceiver with Voltage Regulator (Tape and Reel)<br>MCP2022A: LIN Transceiver with Voltage Regulator<br>MCP2022AT: LIN Transceiver with Voltage Regulator (Tape and Reel)  |                   |            | a) MCP2021A-330E/MD: 3.3V, 8-lead DFN package<br>b) MCP2021A-500E/MD: 5.0V, 8-lead DFN package<br>c) MCP2021AT-330E/MD: 3.3V, 8-lead DFN package, Tape and Reel<br>d) MCP2021AT-500E/MD: 5.0V, 8-lead DFN package, Tape and Reel<br>e) MCP2021A-330E/P: 3.3V, 8-lead PDIP package<br>f) MCP2021A-500E/P: 5.0V, 8-lead PDIP package<br>g) MCP2021A-330E/SN: 3.3V, 8-lead SOIC package<br>h) MCP2021AT-330E/SN: 3.3V, 8-lead SOIC package, Tape and Reel<br>i) MCP2021A-500E/SN: 5.0V, 8-lead SOIC package<br>j) MCP2021AT-500E/SN: 5.0V, 8-lead SOIC package, Tape and Reel |
| <b>Voltage:</b>           | 330 = 3.3V<br>500 = 5.0V  |                   |            | a) MCP2022A-330E/P: 3.3V, 14-lead PDIP package<br>b) MCP2022A-500E/P: 5.0V, 14-lead PDIP package<br>c) MCP2022A-330E/SL: 3.3V, 14-lead SOIC package<br>d) MCP2022AT-330E/SL: 3.3V, 14-lead SOIC package, Tape and Reel<br>e) MCP2022A-500E/SL: 5.0V, 14-lead SOIC package<br>f) MCP2022AT-500E/SL: 5.0V, 14-lead SOIC package, Tape and Reel   |
| <b>Temperature Range:</b> | E = -40°C to +125°C   |                   |            | g) MCP2022A-330E/ST: 3.3V, 14-lead TSSOP package<br>h) MCP2022AT-330E/ST: 3.3V, 14-lead TSSOP package, Tape and Reel<br>i) MCP2022A-500E/ST: 5.0V, 14-lead TSSOP package<br>j) MCP2022AT-500E/ST: 5.0V, 14-lead TSSOP package, Tape and Reel   |
| <b>Package:</b>           | MD = 8LD Plastic Dual Flat, No Lead – 4x4x0.8 mm Body<br>P = 8LD/14LD Plastic Dual In-Line – 300 mil Body<br>SN = 8LD Plastic Small Outline – Narrow, 3.90 mm Body<br>SL = 14LD Plastic Small Outline – Narrow, 3.90 mm Body<br>ST = 14LD Plastic Thin Shrink Small Outline – 4.4 mm Body |                   |            |  |

---

**Note the following details of the code protection feature on Microchip devices:**

- Microchip products meet the specification contained in their particular Microchip Data Sheet.
- Microchip believes that its family of products is one of the most secure families of its kind on the market today, when used in the intended manner and under normal conditions.
- There are dishonest and possibly illegal methods used to breach the code protection feature. All of these methods, to our knowledge, require using the Microchip products in a manner outside the operating specifications contained in Microchip's Data Sheets. Most likely, the person doing so is engaged in theft of intellectual property.
- Microchip is willing to work with the customer who is concerned about the integrity of their code.
- Neither Microchip nor any other semiconductor manufacturer can guarantee the security of their code. Code protection does not mean that we are guaranteeing the product as “unbreakable.”

Code protection is constantly evolving. We at Microchip are committed to continuously improving the code protection features of our products. Attempts to break Microchip's code protection feature may be a violation of the Digital Millennium Copyright Act. If such acts allow unauthorized access to your software or other copyrighted work, you may have a right to sue for relief under that Act.

---

Information contained in this publication regarding device applications and the like is provided only for your convenience and may be superseded by updates. It is your responsibility to ensure that your application meets with your specifications. MICROCHIP MAKES NO REPRESENTATIONS OR WARRANTIES OF ANY KIND WHETHER EXPRESS OR IMPLIED, WRITTEN OR ORAL, STATUTORY OR OTHERWISE, RELATED TO THE INFORMATION, INCLUDING BUT NOT LIMITED TO ITS CONDITION, QUALITY, PERFORMANCE, MERCHANTABILITY OR FITNESS FOR PURPOSE. Microchip disclaims all liability arising from this information and its use. Use of Microchip devices in life support and/or safety applications is entirely at the buyer's risk, and the buyer agrees to defend, indemnify and hold harmless Microchip from any and all damages, claims, suits, or expenses resulting from such use. No licenses are conveyed, implicitly or otherwise, under any Microchip intellectual property rights.

#### **Trademarks**

The Microchip name and logo, the Microchip logo, dsPIC, FlashFlex, flexPWR, JukeBlox, KEELOQ, KEELOQ logo, Klear, LANCheck, MediaLB, MOST, MOST logo, MPLAB, OptoLyzer, PIC, PICSTART, PIC<sup>32</sup> logo, RightTouch, SpyNIC, SST, SST Logo, SuperFlash and UNI/O are registered trademarks of Microchip Technology Incorporated in the U.S.A. and other countries.

The Embedded Control Solutions Company and mTouch are registered trademarks of Microchip Technology Incorporated in the U.S.A.

Analog-for-the-Digital Age, BodyCom, chipKIT, chipKIT logo, CodeGuard, dsPICDEM, dsPICDEM.net, ECAN, In-Circuit Serial Programming, ICSP, Inter-Chip Connectivity, KlearNet, KlearNet logo, MiWi, MPASM, MPF, MPLAB Certified logo, MPLIB, MPLINK, MultiTRAK, NetDetach, Omniscient Code Generation, PICDEM, PICDEM.net, PICkit, PICtail, RightTouch logo, REAL ICE, SQI, Serial Quad I/O, Total Endurance, TSHARC, USBCheck, VariSense, ViewSpan, WiperLock, Wireless DNA, and ZENA are trademarks of Microchip Technology Incorporated in the U.S.A. and other countries.

SQTP is a service mark of Microchip Technology Incorporated in the U.S.A.

Silicon Storage Technology is a registered trademark of Microchip Technology Inc. in other countries.

GestIC is a registered trademarks of Microchip Technology Germany II GmbH & Co. KG, a subsidiary of Microchip Technology Inc., in other countries.

All other trademarks mentioned herein are property of their respective companies.

© 2012-2014, Microchip Technology Incorporated, Printed in the U.S.A., All Rights Reserved.

ISBN: 978-1-63276-403-4

**QUALITY MANAGEMENT SYSTEM**  
**CERTIFIED BY DNV**  
**== ISO/TS 16949 ==**

*Microchip received ISO/TS-16949:2009 certification for its worldwide headquarters, design and wafer fabrication facilities in Chandler and Tempe, Arizona; Gresham, Oregon and design centers in California and India. The Company's quality system processes and procedures are for its PIC<sup>®</sup> MCUs and dsPIC<sup>®</sup> DSCs, KEELOQ<sup>®</sup> code hopping devices, Serial EEPROMs, microperipherals, nonvolatile memory and analog products. In addition, Microchip's quality system for the design and manufacture of development systems is ISO 9001:2000 certified.*



# MICROCHIP

## Worldwide Sales and Service

### AMERICAS

**Corporate Office**  
2355 West Chandler Blvd.  
Chandler, AZ 85224-6199  
Tel: 480-792-7200  
Fax: 480-792-7277  
Technical Support:  
<http://www.microchip.com/support>  
Web Address:  
[www.microchip.com](http://www.microchip.com)

**Atlanta**  
Duluth, GA  
Tel: 678-957-9614  
Fax: 678-957-1455

**Austin, TX**  
Tel: 512-257-3370

**Boston**  
Westborough, MA  
Tel: 774-760-0087  
Fax: 774-760-0088

**Chicago**  
Itasca, IL  
Tel: 630-285-0071  
Fax: 630-285-0075

**Cleveland**  
Independence, OH  
Tel: 216-447-0464  
Fax: 216-447-0643

**Dallas**  
Addison, TX  
Tel: 972-818-7423  
Fax: 972-818-2924

**Detroit**  
Novi, MI  
Tel: 248-848-4000

**Houston, TX**  
Tel: 281-894-5983

**Indianapolis**  
Noblesville, IN  
Tel: 317-773-8323  
Fax: 317-773-5453

**Los Angeles**  
Mission Viejo, CA  
Tel: 949-462-9523  
Fax: 949-462-9608

**New York, NY**  
Tel: 631-435-6000

**San Jose, CA**  
Tel: 408-735-9110

**Canada - Toronto**  
Tel: 905-673-0699  
Fax: 905-673-6509

### ASIA/PACIFIC

**Asia Pacific Office**  
Suites 3707-14, 37th Floor  
Tower 6, The Gateway  
Harbour City, Kowloon  
Hong Kong  
Tel: 852-2943-5100  
Fax: 852-2401-3431

**Australia - Sydney**  
Tel: 61-2-9868-6733  
Fax: 61-2-9868-6755

**China - Beijing**  
Tel: 86-10-8569-7000  
Fax: 86-10-8528-2104

**China - Chengdu**  
Tel: 86-28-8665-5511  
Fax: 86-28-8665-7889

**China - Chongqing**  
Tel: 86-23-8980-9588  
Fax: 86-23-8980-9500

**China - Hangzhou**  
Tel: 86-571-8792-8115  
Fax: 86-571-8792-8116

**China - Hong Kong SAR**  
Tel: 852-2943-5100  
Fax: 852-2401-3431

**China - Nanjing**  
Tel: 86-25-8473-2460  
Fax: 86-25-8473-2470

**China - Qingdao**  
Tel: 86-532-8502-7355  
Fax: 86-532-8502-7205

**China - Shanghai**  
Tel: 86-21-5407-5533  
Fax: 86-21-5407-5066

**China - Shenyang**  
Tel: 86-24-2334-2829  
Fax: 86-24-2334-2393

**China - Shenzhen**  
Tel: 86-755-8864-2200  
Fax: 86-755-8203-1760

**China - Wuhan**  
Tel: 86-27-5980-5300  
Fax: 86-27-5980-5118

**China - Xian**  
Tel: 86-29-8833-7252  
Fax: 86-29-8833-7256

**China - Xiamen**  
Tel: 86-592-2388138  
Fax: 86-592-2388130

**China - Zhuhai**  
Tel: 86-756-3210040  
Fax: 86-756-3210049

### ASIA/PACIFIC

**India - Bangalore**  
Tel: 91-80-3090-4444  
Fax: 91-80-3090-4123

**India - New Delhi**  
Tel: 91-11-4160-8631  
Fax: 91-11-4160-8632

**India - Pune**  
Tel: 91-20-3019-1500

**Japan - Osaka**  
Tel: 81-6-6152-7160  
Fax: 81-6-6152-9310

**Japan - Tokyo**  
Tel: 81-3-6880-3770  
Fax: 81-3-6880-3771

**Korea - Daegu**  
Tel: 82-53-744-4301  
Fax: 82-53-744-4302

**Korea - Seoul**  
Tel: 82-2-554-7200  
Fax: 82-2-558-5932 or  
82-2-558-5934

**Malaysia - Kuala Lumpur**  
Tel: 60-3-6201-9857  
Fax: 60-3-6201-9859

**Malaysia - Penang**  
Tel: 60-4-227-8870  
Fax: 60-4-227-4068

**Philippines - Manila**  
Tel: 63-2-634-9065  
Fax: 63-2-634-9069

**Singapore**  
Tel: 65-6334-8870  
Fax: 65-6334-8850

**Taiwan - Hsin Chu**  
Tel: 886-3-5778-366  
Fax: 886-3-5770-955

**Taiwan - Kaohsiung**  
Tel: 886-7-213-7830

**Taiwan - Taipei**  
Tel: 886-2-2508-8600  
Fax: 886-2-2508-0102

**Thailand - Bangkok**  
Tel: 66-2-694-1351  
Fax: 66-2-694-1350

### EUROPE

**Austria - Wels**  
Tel: 43-7242-2244-39  
Fax: 43-7242-2244-393

**Denmark - Copenhagen**  
Tel: 45-4450-2828  
Fax: 45-4485-2829

**France - Paris**  
Tel: 33-1-69-53-63-20  
Fax: 33-1-69-30-90-79

**Germany - Dusseldorf**  
Tel: 49-2129-3766400

**Germany - Munich**  
Tel: 49-89-627-144-0  
Fax: 49-89-627-144-44

**Germany - Pforzheim**  
Tel: 49-7231-424750

**Italy - Milan**  
Tel: 39-0331-742611  
Fax: 39-0331-466781

**Italy - Venice**  
Tel: 39-049-7625286

**Netherlands - Drunen**  
Tel: 31-416-690399  
Fax: 31-416-690340

**Poland - Warsaw**  
Tel: 48-22-3325737

**Spain - Madrid**  
Tel: 34-91-708-08-90  
Fax: 34-91-708-08-91

**Sweden - Stockholm**  
Tel: 46-8-5090-4654

**UK - Wokingham**  
Tel: 44-118-921-5800  
Fax: 44-118-921-5820

03/25/14