

PLEASE CHECK WWW.MOLEX.COM FOR LATEST PART INFORMATION

Part Number: [0513461200](#)
Status: **Active**
Description: 3.30mm (.130") Pitch Wire-to-Wire Plug Housing, Positive Lock, Dual Row, 12 Circuits

Documents:

[Drawing \(PDF\)](#) [RoHS Certificate of Compliance \(PDF\)](#)
[Product Specification PS-51347-001 \(PDF\)](#)

General

Product Family	Crimp Housings
Series	51346
Product Name	N/A

Physical

Circuits (maximum)	12
Color - Resin	Natural
Gender	Male
Glow-Wire Compliant	No
Lock to Mating Part	Yes
Material - Resin	Nylon
Number of Rows	2
Packaging Type	Bag
Panel Mount	No
Pitch - Mating Interface (in)	0.130 In
Pitch - Mating Interface (mm)	3.30 mm
Polarized to Mating Part	Yes
Stackable	No
Temperature Range - Operating	-25°C to +85°C

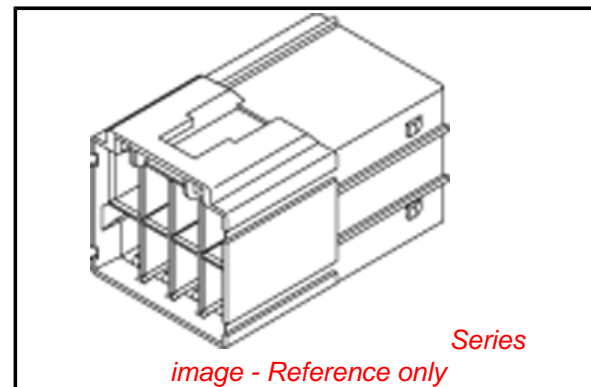
Electrical

Current - Maximum per Contact	4A
-------------------------------	----

Material Info

Reference - Drawing Numbers

Product Specification	PS-51347-001, RPS-51347-004, RPS-51347-005, RPS-51347-006, RPS-51347-007
Sales Drawing	SD-51346-001



EU RoHS

**ELV and RoHS
Compliant**
**REACH SVHC
Contains SVHC: No**
**Halogen-Free
Status
Not Reviewed**

China RoHS



**Need more information on product
environmental compliance?**

Email productcompliance@molex.com
 For a multiple part number RoHS Certificate of Compliance, [click here](#)

Please visit the [Contact Us](#) section for any non-product compliance questions.

Search Parts in this Series
[51346Series](#)

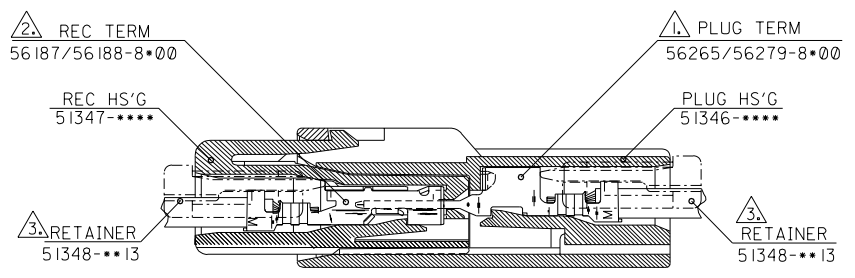
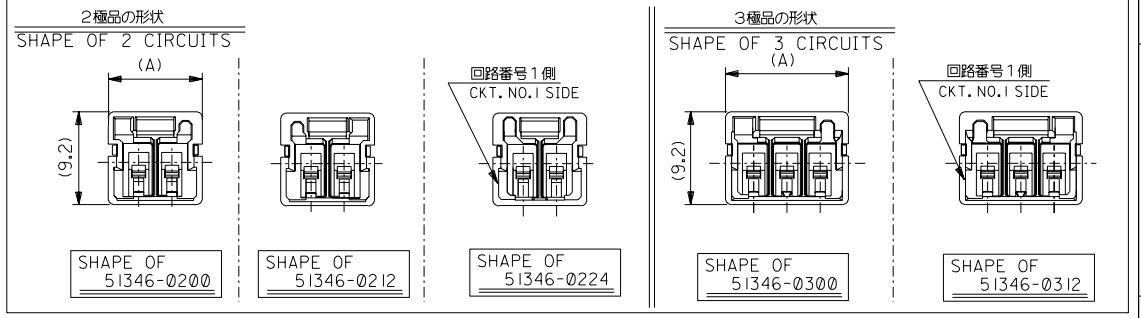
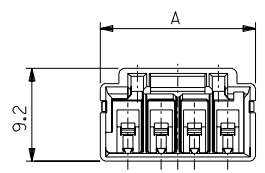
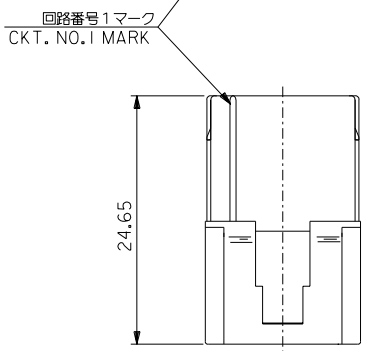
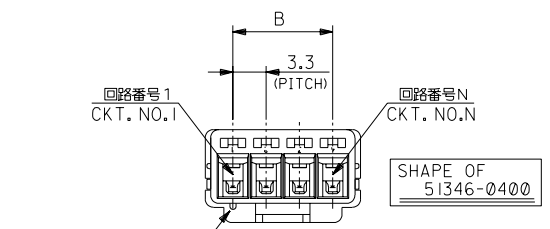
Mates With
[51347-1200](#)

Use With
[51348](#) , [56265](#)

DWG. NO. SD-51346-001

本図は1列品を示す
SINGLE ROW ASS'Y

各種形状を下記に示す。
尚、嵌合間口にて誤嵌合バリエーションを持たせている為組み合わせには注意して下さい。



ターミナル装着・嵌合状態図
TERMINAL ASSEMBLY & MATING CONDITION

注記
NOTES

- △ 適合ターミナル：56265/56279シリーズ
APPLICABLE TERMINAL：56265/56279 SERIES
 - △ 適合ターミナル：56187/56188シリーズ
APPLICABLE TERMINAL：56187/56188 SERIES
 - △ 適合リテーナー：51348シリーズ
APPLICABLE RETAINER：51348 SERIES
4. 材料 MATERIAL : NYLON66, UL94V-0

51347-0400	51348-0413	NATURAL	9.9	15.1	4	51346-0400	51346-****
-0312	-0313	RED	6.6	12.1	3	-0312	
-0300	-0313	NATURAL	6.6	12.1	3	-0300	
-0224	-0213	BLUE	3.3	9.3	2	-0224	
-0212	-0213	RED	3.3	9.3	2	-0212	
51347-0200	51348-0213	NATURAL	3.3	9.3		51346-0200	

DO NOT SCALE DRAWING

①64NO. DRWN: CH'K: APPR:	①63NO. DRWN: CH'K: APPR:	①62NO. DRWN: CH'K: APPR:	①61NO. DRWN: CH'K: APPR:	①60NO. DRWN: CH'K: APPR:
SEE SHEET 1				
① REV	DESCRIPTION	MATERIAL 材料	FINISH 仕上げ	WIRE RANGE 適用電線範囲
				INS. RANGE 被覆外径

GENERAL TOLERANCES: (UNLESS SPECIFIED) 一般公差	SCALE 1:1	DESIGN UNITS mm □ INCH	DRAWN BY & DATE T.Odo '04/01/15	TITLE: 3.3 mm WIRE TO WIRE CONN. PLUG HOUSING (SINGLE ROW)
10 UNDER 未満 ±0.2			CHECKED BY & DATE S. Ichikawa.	MOLEX INCORPORATED
10 OVER 30 UNDER 未満 ±0.25			APPROVED BY & DATE Y.Oto	
30 OVER 以上 ±0.3			CAD FILENAME SD-51346-001.S02	

DIMENSIONS: mm □ INCH □ mm ONLY	SHT 2	REV
DIMENSIONS: mm □ INCH □ mm ONLY	OTHERWISE ON CAD ONLY	SIZE B
THIS DRAWING CONTAINS INFORMATION THAT IS PROPRIETARY TO MOLEX INCORPORATED AND SHOULD NOT BE USED WITHOUT WRITTEN PERMISSION.		