




## Features

- Bourns® FLAT® GDT technology
- Flexible mounting options
- Volume- and space-saving design
- Improved impulse performance
- 10 kA 8/20  $\mu$ s rated
-  UL Recognized
- RoHS compliant\*

## Applications

- Telecom CPE
- Industrial Communications
- Surge Protective Devices
- High density PCB assemblies

## 2017 Series Gas Discharge Tube Surge Arrestor with FLAT® Technology

### Description

Bourns sets a new industry standard by offering this 2-electrode Gas Discharge Tube (GDT) in an innovative flat package design. The Model 2017 Series with FLAT® Technology provides a volume and space-saving solution for high density and space-restricted PCB applications. The series is offered in a leadless version for cartridge or clamp fit applications. Surface mount versions are available in vertical and horizontal mounting configurations.

### Characteristics

Test Methods per ITU-T (CCITT) K.12 Class 3 and IEC 61643-311

Characteristic	Model No.				
	2017-09	2017-15	2017-23	2017-35	2017-42
DC Sparkover $\pm 20\%$ @ 100 V/s (1)	90 V	150 V	230 V	350 V	420 V
DC Sparkover End-of-Life Values (2)					
Maximum (99 % of values)	<120 V	<195 V	<300 V	<455 V	<550 V
Minimum (99 % of values)	>65 V	>110 V	>170 V	>260 V	>360 V
Impulse Sparkover Voltage (3)					
100 V/ $\mu$ s Typical / For 99 % of Values	350 / <450 V	400 / <550 V	450 / <600 V	600 / <700 V	600 / <750 V
1 kV/ $\mu$ s Typical / For 99 % of Values	600 / <800 V	700 / <950 V	700 / <950 V	800 / <1000 V	900 / <1050 V

Insulation Resistance (IR) .....	100 V (50 V for Model 2017-09) .....	>1 G $\Omega$
Glow Voltage .....	10 mA .....	~70 V
Arc Voltage .....	>1 A .....	~10 V
Capacitance .....	1 MHz .....	<2.3 pF
Impulse Discharge Current .....	12000 A, 8/20 $\mu$ s .....	1 operation
	10000 A, 8/20 $\mu$ s .....	>10 operations
	2500 A, 10/350 $\mu$ s .....	1 operation
	100 A, 10/1000 $\mu$ s .....	>300 operations
	10 A, 10/1000 $\mu$ s .....	>1500 operations
Alternating Discharge Current .....	10 Arms, 1 s .....	>10 operations
Operating Temperature .....		-55 to +85 °C
Storage Temperature .....		-55 to +105 °C
Climatic Category (IEC 60068-1) .....		40/90/21
Pushover Strength (4) .....		5 kg

Notes:

**UL Recognized component, UL File E153537**

(1) In ionized mode. (3) At delivery AQL 0.65 Level II, DIN ISO 2859.

(2) IR after life >10<sup>8</sup>  $\Omega$ . (4) Pushover Strength test performed on a board-mounted Model 2017-xx-SMC (Vertical Mount).

### How to Order

**2017 - xx - xxx - RP LF**

Series Designator \_\_\_\_\_  
 2017 = 2-electrode GDT with FLAT® Technology, 10 kA 8/20  $\mu$ s rated

Voltage (Divided by 10) \_\_\_\_\_  
 09 = 90 V    23 = 230 V    42 = 420 V  
 15 = 150 V    35 = 350 V

Configuration \_\_\_\_\_  
 A = No Leads, (Clamp-Cartridge)  
 SMH = Horizontal Mount SMD  
 SMC = Vertical Mount SMD

Packaging \_\_\_\_\_  
 RP = Reelpack (Standard)

RoHS Compliancy \_\_\_\_\_  
 LF = RoHS Compliant Product

# BOURNS®

**Asia-Pacific:** Tel: +886-2 2562-4117 • Fax: +886-2 2562-4116

**EMEA:** Tel: +36 88 520 390 • Fax: +36 88 520 211

**The Americas:** Tel: +1-951 781-5500 • Fax: +1-951 781-5700

**www.bourns.com**

\*RoHS Directive 2002/95/EC Jan. 27, 2003 including annex and RoHS Recast 2011/65/EU June 8, 2011.

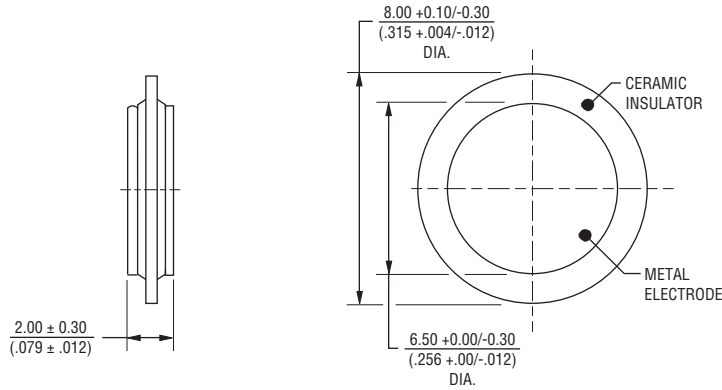
"FLAT" is a registered trademark of Bourns, Inc. in the U.S. and other countries. Specifications are subject to change without notice. The device characteristics and parameters in this data sheet can and do vary in different applications and actual device performance may vary over time. Users should verify actual device performance in their specific applications.

# 2017 Series Gas Discharge Tube Surge Arrestor with FLAT® Technology

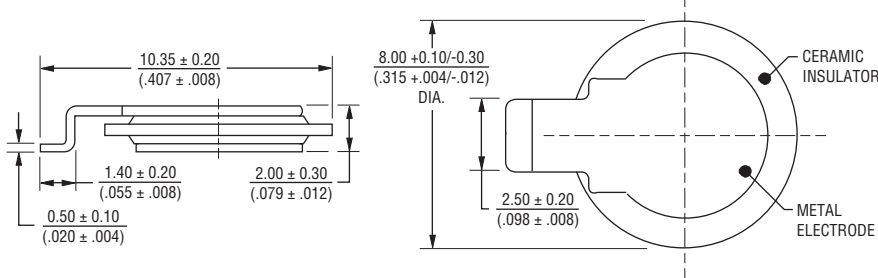
# BOURNS®

## Product Dimensions

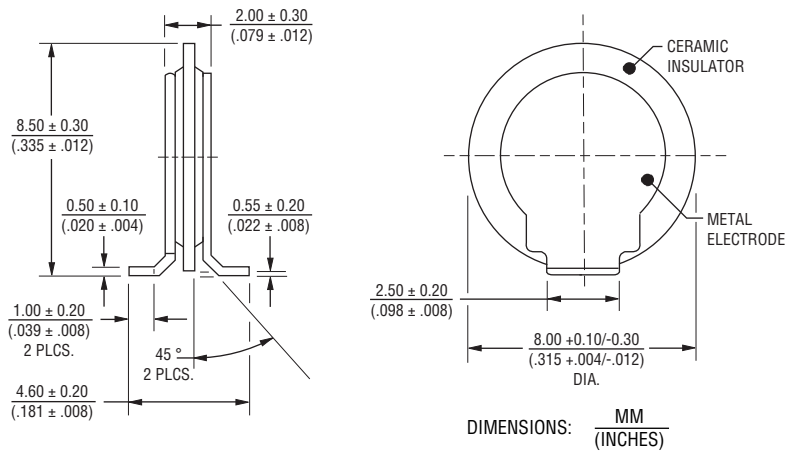
### 2017-xx-A-RPLF



### 2017-xx--SMH-RPLF



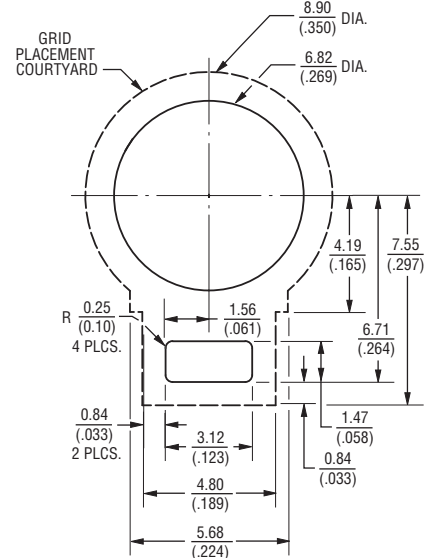
### 2017-xx-SMC-RPLF



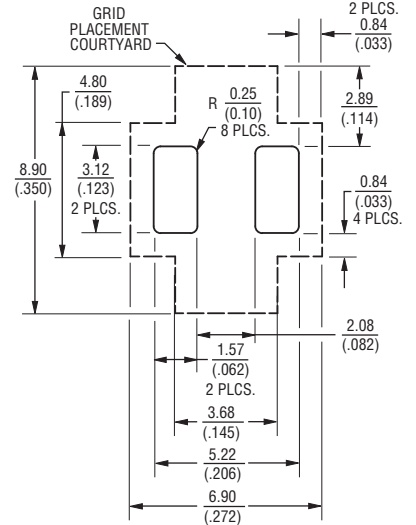
DIMENSIONS:  $\frac{\text{MM}}{\text{(INCHES)}}$

## Pad Layouts

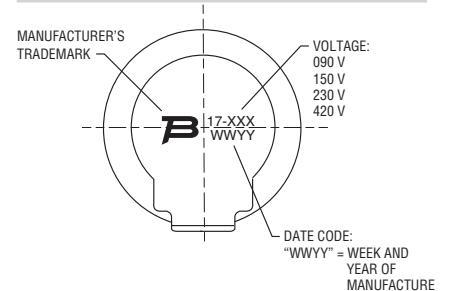
### 2017-xx--SMH-RPLF



### 2017-xx-SMC-RPLF



## Typical Part Marking



Specifications are subject to change without notice.  
The device characteristics and parameters in this data sheet can and do vary in different applications and actual device performance may vary over time.  
Users should verify actual device performance in their specific applications.

# 2017 Series Gas Discharge Tube Surge Arrestor with FLAT® Technology

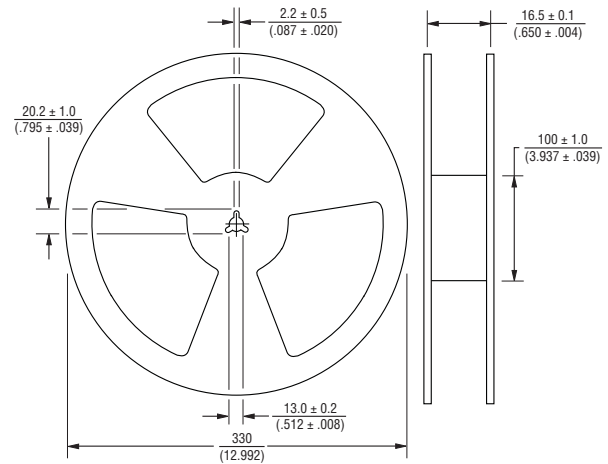
# BOURNS®

## Packaging Specifications

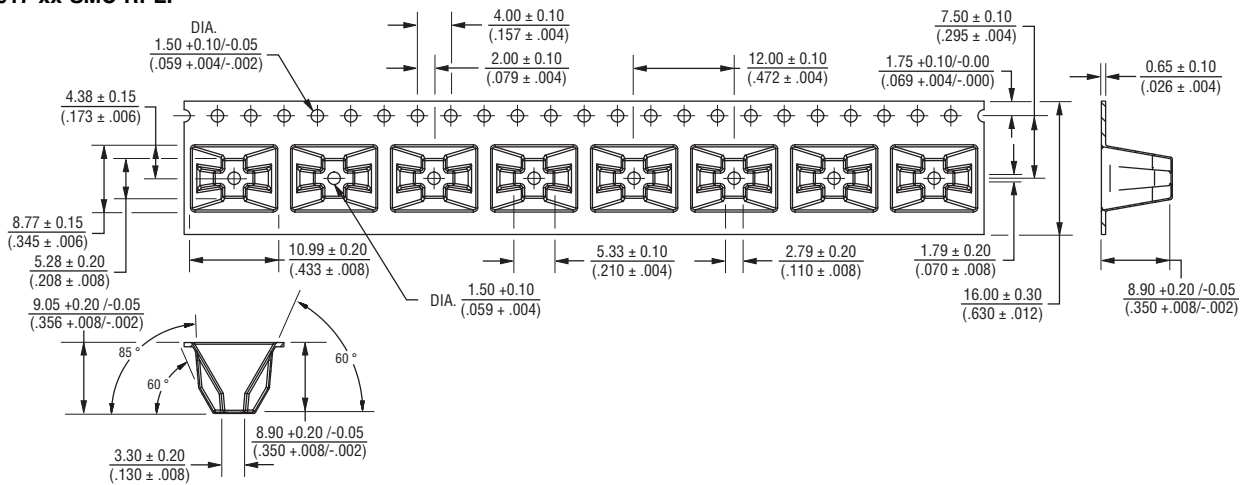
Model 2017-xx-SMC-RPLF: The standard tape and reel packaging contains 500 pieces per 13-inch reel.

Model 2017-xx-SMH-RPLF and 2017-xx-A-RPLF: The standard tape and reel packaging contains 2,000 pieces per 13-inch reel.

DIMENSIONS:  $\frac{\text{MM}}{\text{(INCHES)}}$

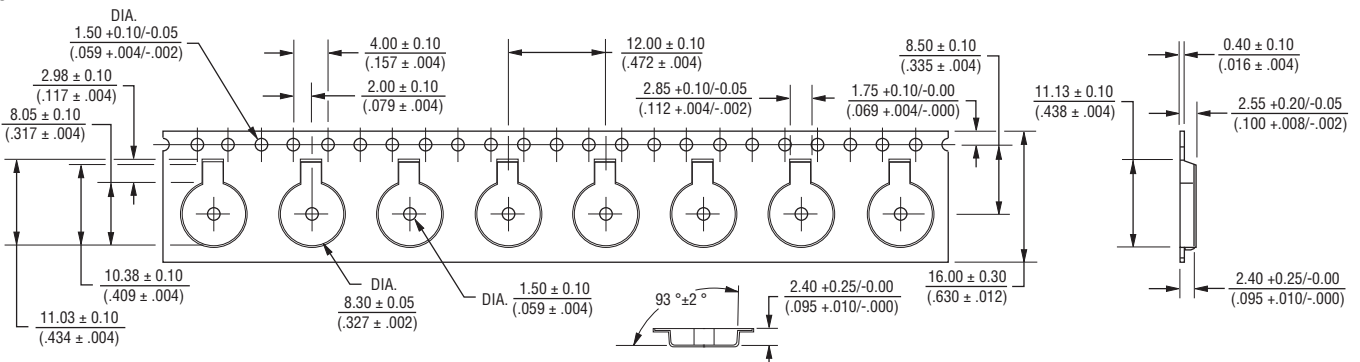


### 2017-xx-SMC-RPLF



### 2017-xx-SMH-RPLF

### 2017-xx-A-RPLF



09/15

Specifications are subject to change without notice.

The device characteristics and parameters in this data sheet can and do vary in different applications and actual device performance may vary over time. Users should verify actual device performance in their specific applications.