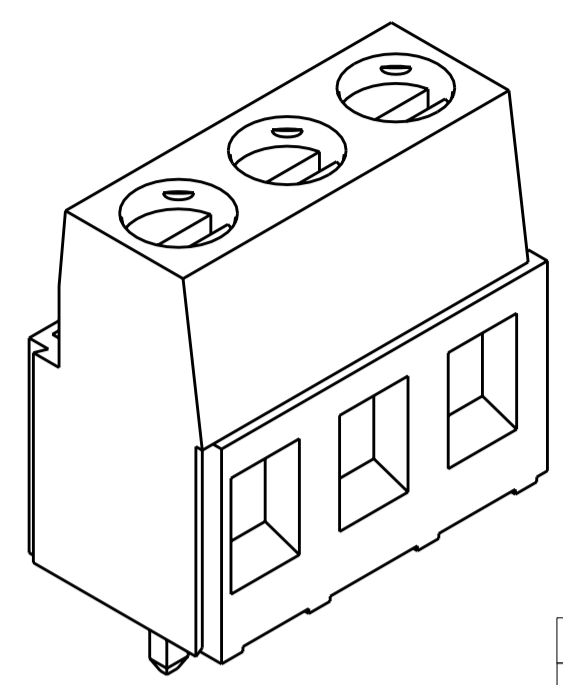
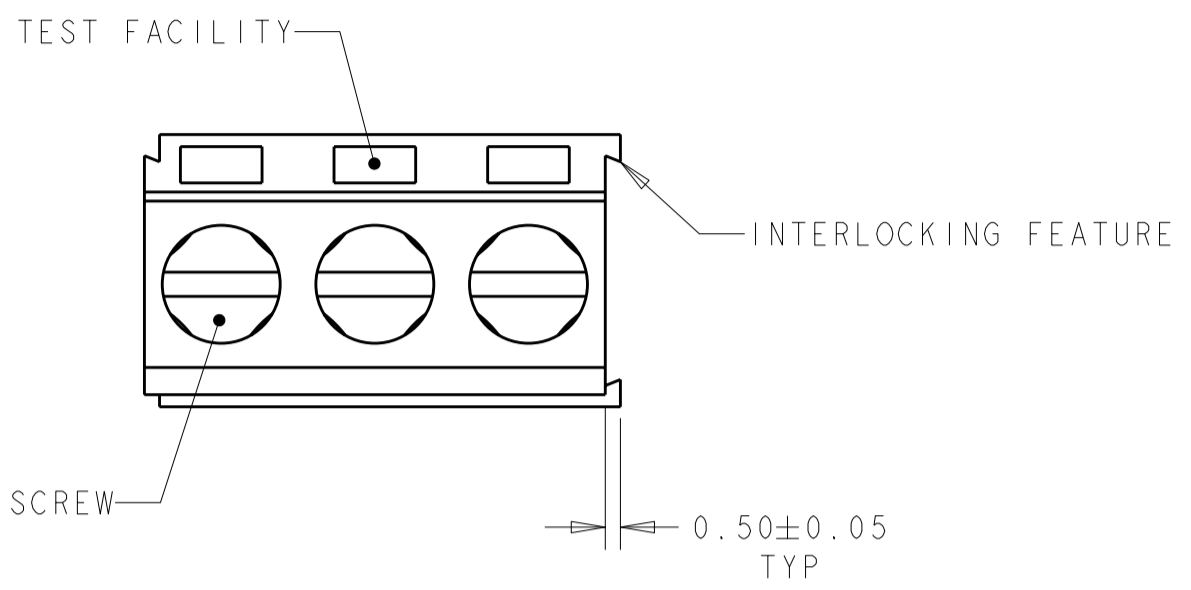
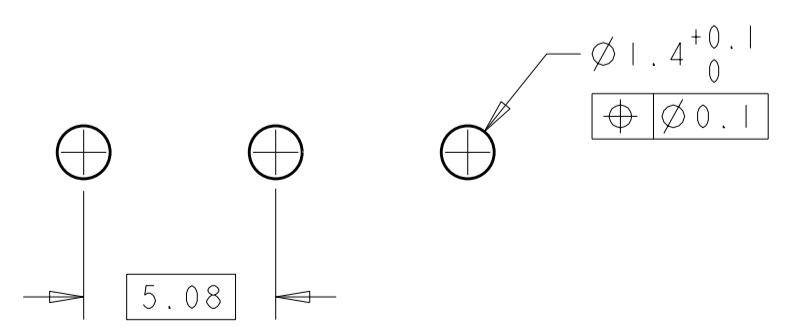
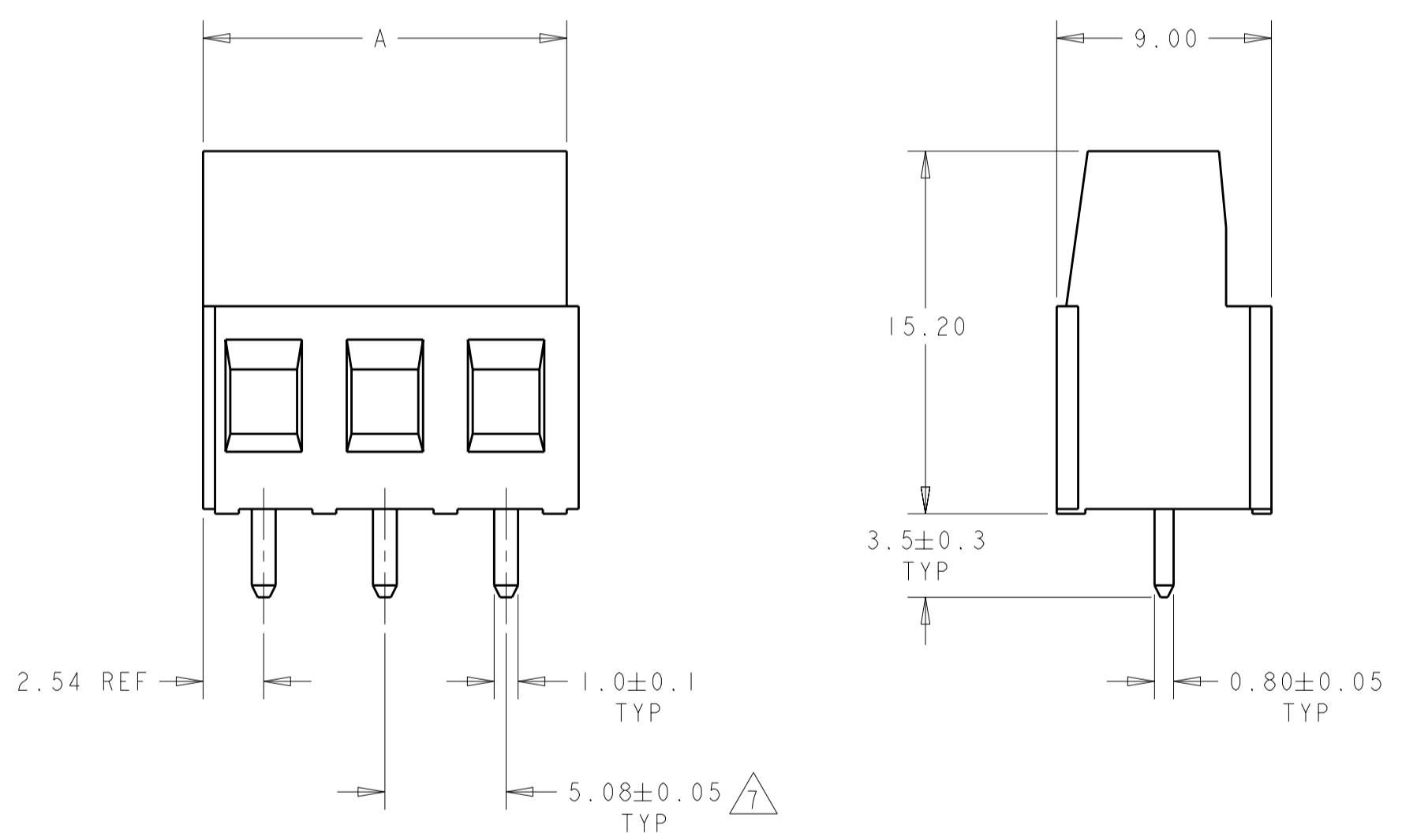


THIS DRAWING IS UNPUBLISHED. RELEASED FOR PUBLICATION 20  
 © COPYRIGHT 20 BY TYCO ELECTRONICS CORPORATION. ALL RIGHTS RESERVED.

LOC		DIST		REVISIONS			
P	LTR	DESCRIPTION	DATE	DWN	APVD		
	H4	REVISED PER ECO-09-006546	16MAR2009	HMR	CR		



DETAIL	DESCRIPTION	MATERIAL	COLOR	QTY	POSN	PART NUMBER
DETAIL C	PRELIMINARY	-	GREEN	25.40	5	3-282841-9
DETAIL B	PRELIMINARY	-	GREEN	20.32	4	3-282841-8
	PRELIMINARY	STAINLESS STEEL	GREEN	40.64	8	3-282841-7
	PRELIMINARY	STAINLESS STEEL	GREEN	20.32	4	3-282841-6
	PRELIMINARY	STAINLESS STEEL	GREEN	15.24	3	3-282841-5
	PRELIMINARY	STAINLESS STEEL	GREEN	10.16	2	3-282841-4
		SEE SHEET 2	GREEN	45.72	9	3-282841-3
		SEE SHEET 2	GREEN	66.04	13	3-282841-2
		SEE SHEET 2	GREEN	20.32	4	3-282841-1
		SEE SHEET 2	GREEN	60.96	12	3-282841-0
		-	BLACK	127.0	25	2-282841-9
		-	GREEN	127.0	25	2-282841-8
		-	GREEN	121.92	24	2-282841-7
		-	GREEN	116.84	23	2-282841-6
		-	GREEN	111.76	22	2-282841-5
		-	GREEN	106.68	21	2-282841-4
		-	GREEN	101.60	20	2-282841-3
		-	GREEN	96.52	19	2-282841-2
		-	GREEN	91.44	18	2-282841-1
		-	GREEN	86.36	17	2-282841-0
		-	GREEN	81.28	16	1-282841-9
		-	GREEN	76.20	15	1-282841-8
		-	GREEN	71.12	14	1-282841-7
		-	GREEN	66.04	13	1-282841-6
		SEE SHEET 2	GREEN	40.64	8	1-282841-5
		SEE SHEET 2	GREEN	35.56	7	1-282841-4
		-	BLACK	35.56	7	1-282841-3
		-	GREEN	60.96	12	1-282841-2
		-	GREEN	55.88	11	1-282841-1
		-	GREEN	50.80	10	1-282841-0
		-	GREEN	45.72	9	282841-9
		-	GREEN	40.64	8	282841-8
		-	GREEN	35.56	7	282841-7
		-	GREEN	30.48	6	282841-6
		-	GREEN	25.40	5	282841-5
		-	GREEN	20.32	4	282841-4
		-	GREEN	15.24	3	282841-3
		-	GREEN	10.16	2	282841-2
	CLAMPING SCREW	MARKING	COLOR	A	NO OF POSN	PART NUMBER

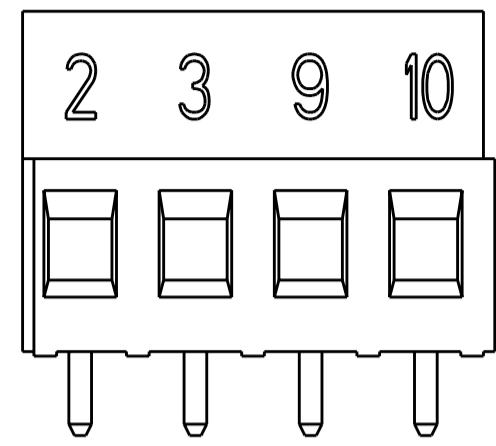


RECOMMENDED PC BOARD LAYOUT  
SCALE 5:1

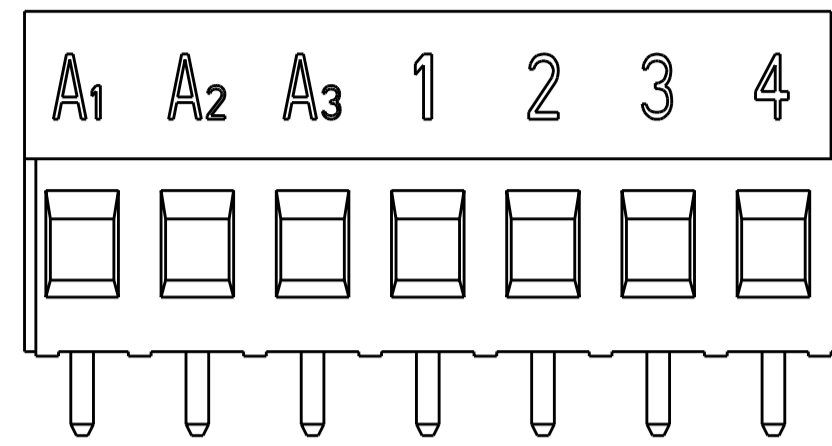
THIS DRAWING IS A CONTROLLED DOCUMENT FOR TYCO ELECTRONICS CORPORATION. IT IS SUBJECT TO CHANGE AND THE CONTROLLING ENGINEERING ORGANIZATION SHOULD BE CONTACTED FOR THE LATEST REVISION.		DWN S. WELDON 26 JAN 2001	Tyco Electronics Harrisburg, PA 17105-3608	
DIMENSIONS: mm		CHK D. BIEVENOUR 26 JAN 2001	NAME TERMINAL BLOCK PCB MOUNT W/INTERLOCK, 5.08mm PITCH	
TOLERANCES UNLESS OTHERWISE SPECIFIED: 0 PLC ±0 1 PLC ±.3 2 PLC ±.25 3 PLC ±0 4 PLC ±0 ANGLES ±2° FINISH		APVD D. BIEVENOUR 26 JAN 2001	SIZE A200779C-282841	
MATERIAL		PRODUCT SPEC -	RESTRICTED TO -	
		APPLICATION SPEC -	SCALE 4:1 SHEET 1 OF 2 REV H4	
		WEIGHT -		
		CUSTOMER DRAWING		

THIS DRAWING IS UNPUBLISHED. RELEASED FOR PUBLICATION 20  
 © COPYRIGHT 20 BY TYCO ELECTRONICS CORPORATION. ALL RIGHTS RESERVED.

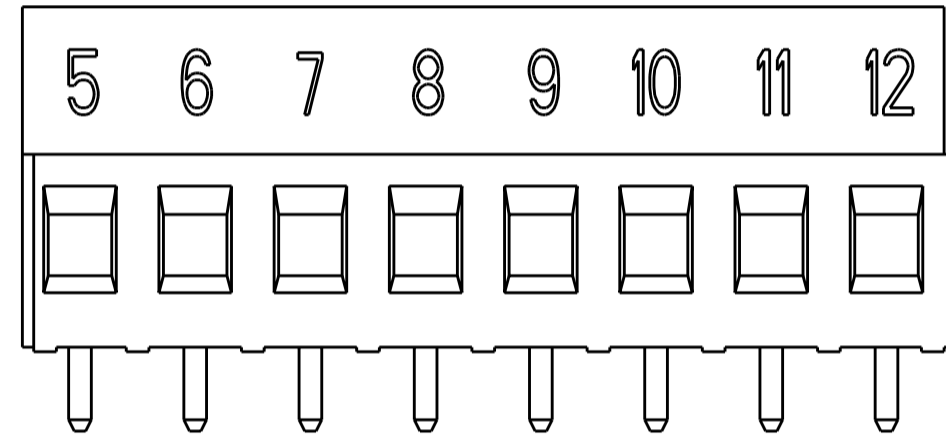
LOC		DIST		REVISIONS			
P	LTR	DESCRIPTION	DATE	DWN	APVD		
FT	0	-	SEE SHEET 1	-	-		



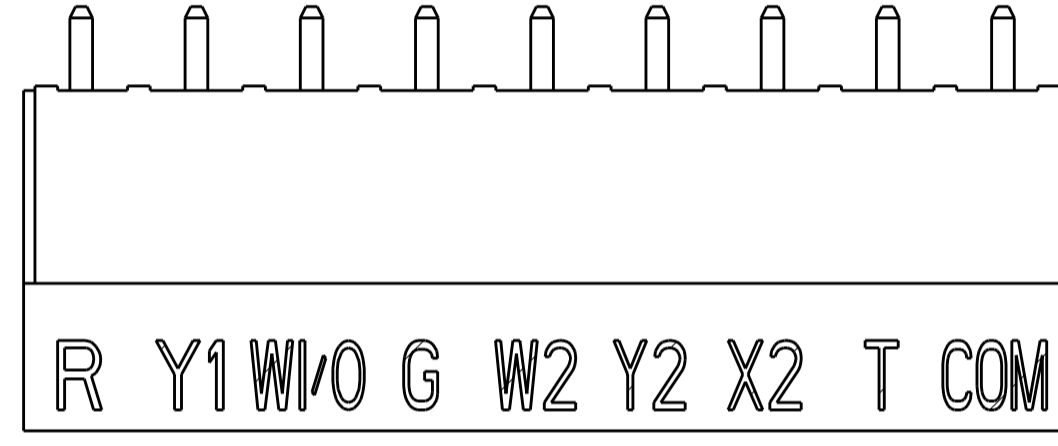
3-282841-1 AS SHOWN  $\triangle 8$



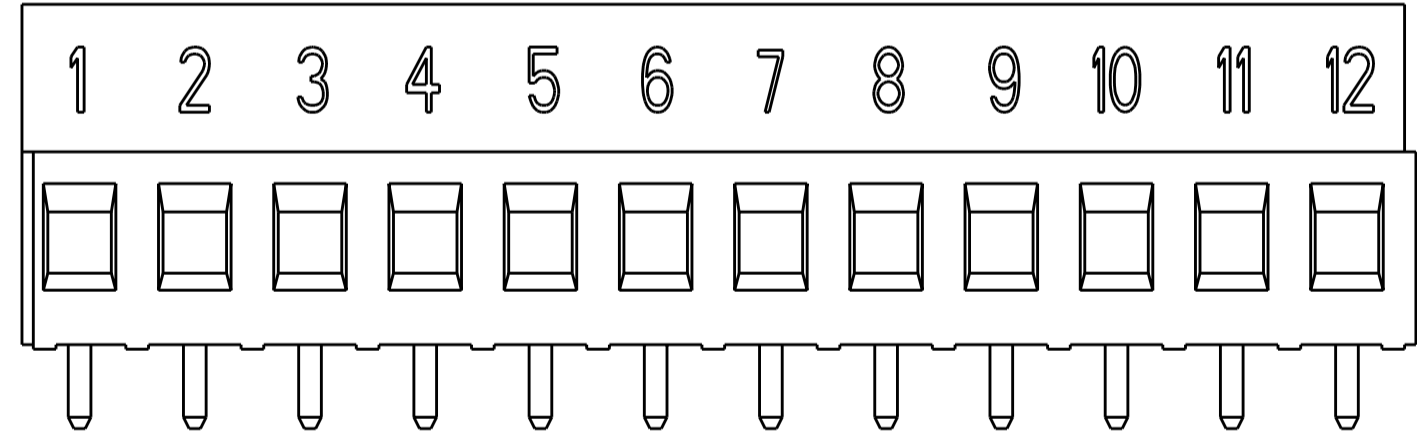
1-282841-4 AS SHOWN  $\triangle 8$



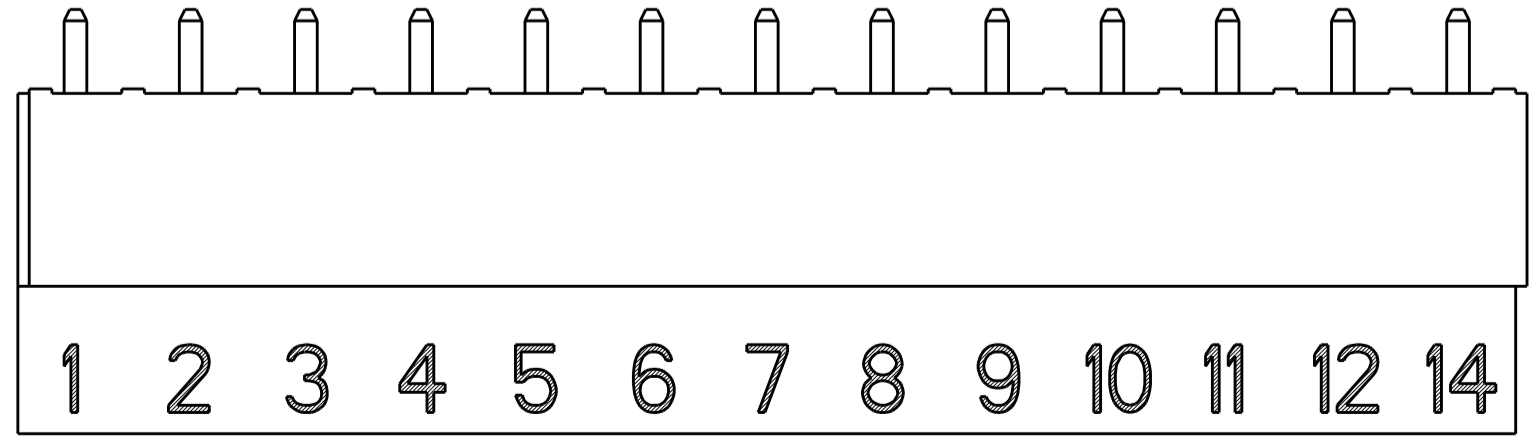
1-282841-5 AS SHOWN  $\triangle 8$



3-282841-3 AS SHOWN  $\triangle 8$

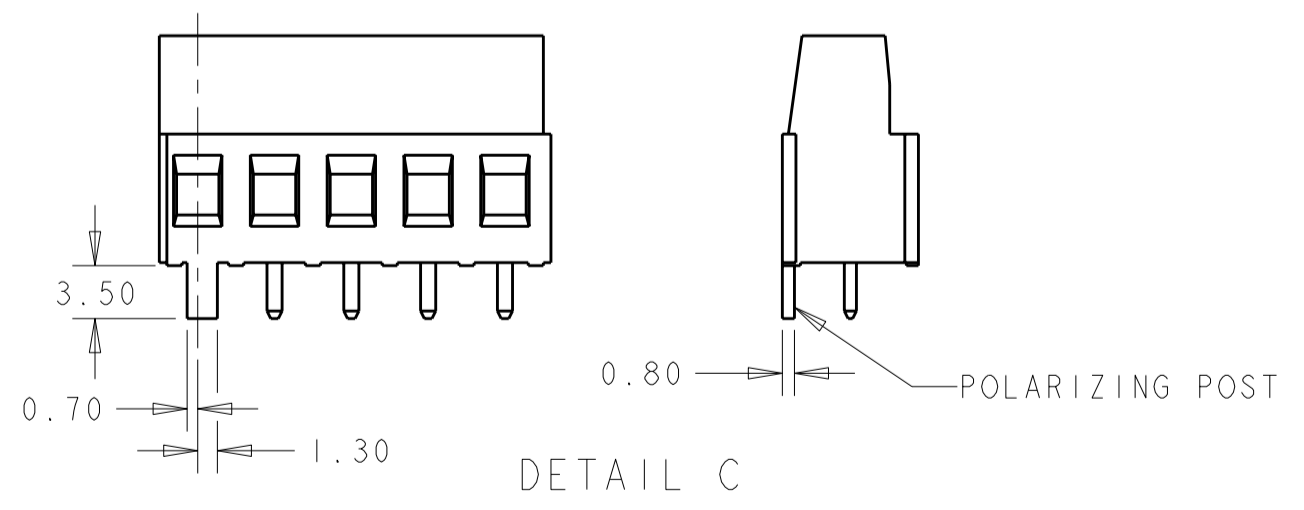
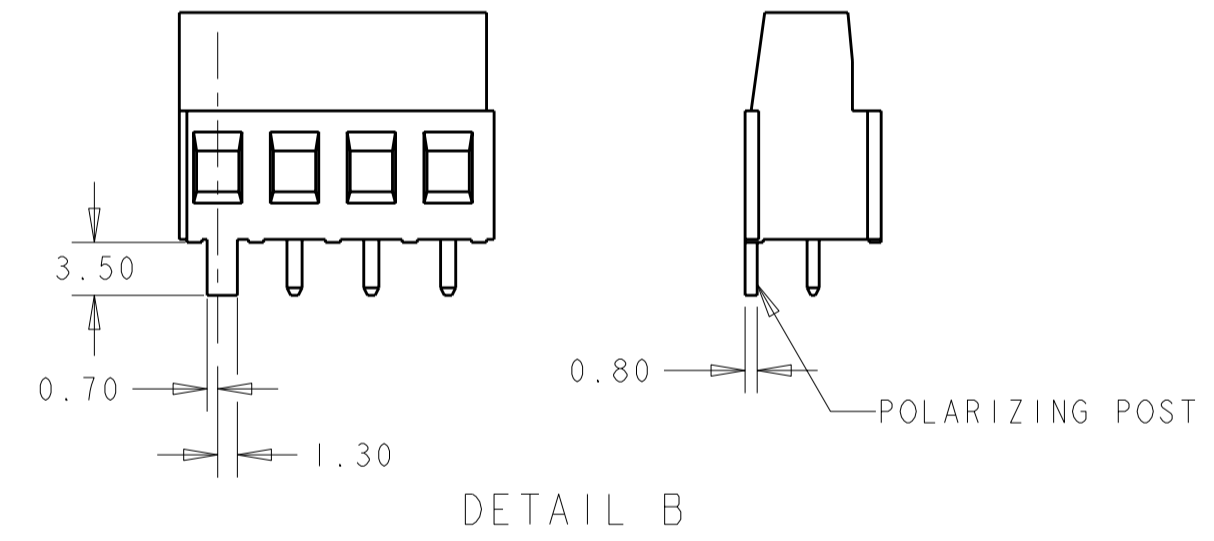


3-282841-0 AS SHOWN  $\triangle 8$



3-282841-2 AS SHOWN  $\triangle 8$

- $\triangle 1$  MATERIALS AND FINISH:  
 HOUSING: PA 6-6, UL 94-V0, COLOR: SEE TABLE.  
 CLAMP: BRASS, NICKEL PLATED.  
 TERMINAL: BRASS, TIN PLATED.  
 CLAMPING SCREW: M3, BRASS, NICKEL PLATED.
- 2. SUITABLE FOR 1,6-2,4mm. PCB THICKNESS.
- 3. END-TO-END STACKABLE W/INTERLOCK WITHOUT LOSS OF CENTERLINE SPACING.
- 4. WIRE SIZE RANGE: 12-30 AWG
- 5. RECOGNIZED UNDER THE COMPONENT PROGRAM OF UNDERWRITERS LABORATORIES INC. FILE No E60677.
- 6. IMQ CERTIFICATE WITH SURVEILLANCE IN CONFORMITY WITH IEC 998-1/998-2-1.
- $\triangle 7$  NOT CUMULATIVE TOLERANCE.
- $\triangle 8$  INK MARKING : BLACK COLOR.
- 9. BUCHANAN LOGO TO APPEAR ON HOUSING, LOCATION OPTIONAL, WHERE SPACE PERMITS.



THIS DRAWING IS A CONTROLLED DOCUMENT FOR TYCO ELECTRONICS CORPORATION. IT IS SUBJECT TO CHANGE AND THE CONTROLLING ENGINEERING ORGANIZATION SHOULD BE CONTACTED FOR THE LATEST REVISION.		DWN S. WELDON 26 JAN 2001	Tyco Electronics Harrisburg, PA 17105-3608	
DIMENSIONS: mm		CHK D. BIEVENOUR 26 JAN 2001	NAME TERMINAL BLOCK PCB MOUNT W/INTERLOCK, 5.08mm PITCH	
TOLERANCES UNLESS OTHERWISE SPECIFIED: 0 PLC $\pm 0$ 1 PLC $\pm 3$ 2 PLC $\pm 25$ 3 PLC $\pm 0$ 4 PLC $\pm 0$ ANGLES $\pm 2^\circ$ FINISH		APVD D. BIEVENOUR 26 JAN 2001	RESTRICTED TO	
MATERIAL		PRODUCT SPEC	SIZE A2	CAGE CODE 00779
		APPLICATION SPEC	DRAWING NO G-282841	REV. H4
		WEIGHT	SCALE 2:1	SHEET 2 OF 2
		CUSTOMER DRAWING		