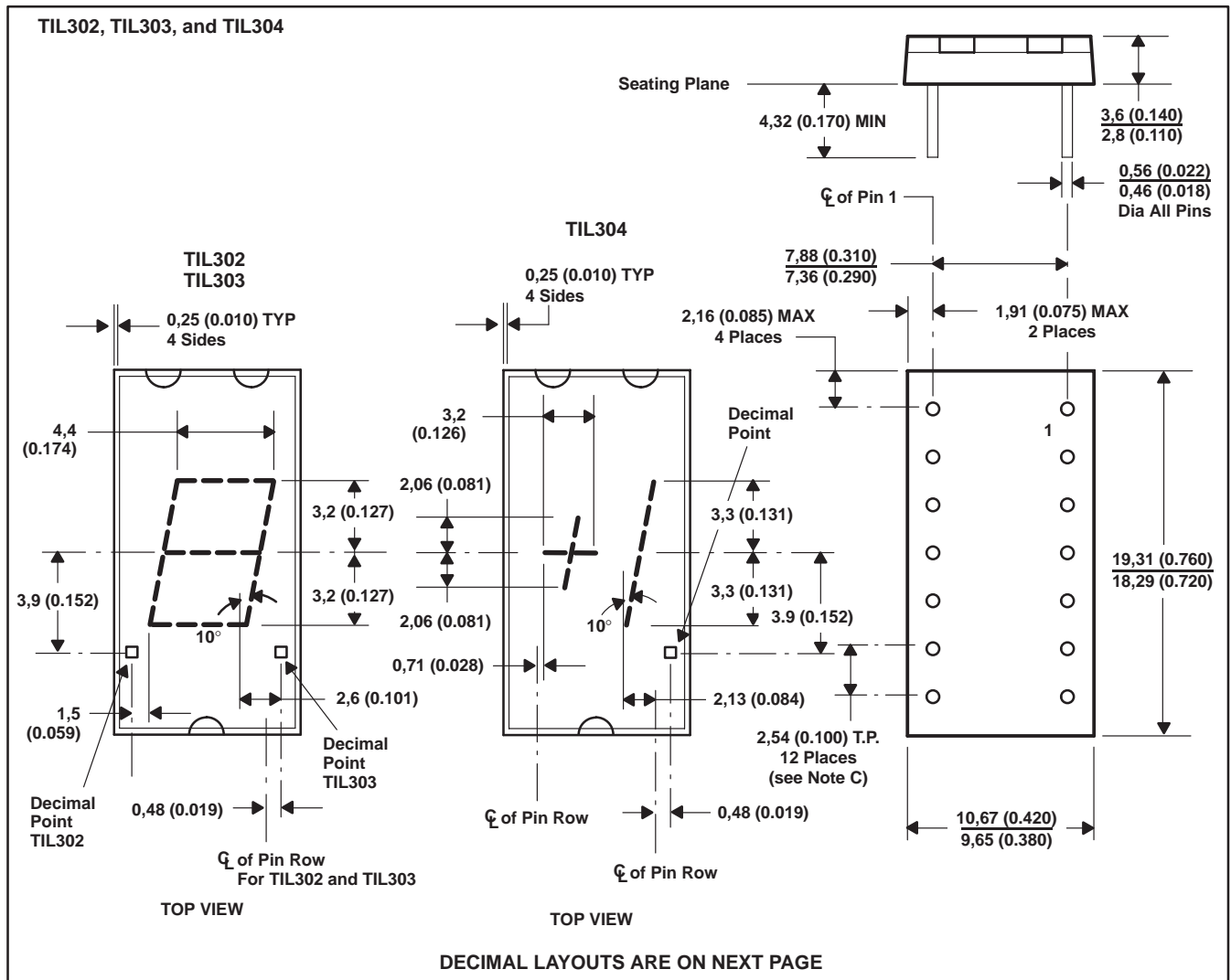


- Red Solid-State Display
- 6,9-mm (0.270-Inch) Character Height
- High Luminous Intensity
- Low Power Requirements
- Each Unit Visually Checked for Uniformity of Elements
- Sign, Overflow, and Left or Right Decimal Capabilities
- Wide Viewing Angle
- Compatible With Most TTL and DTL Circuits

## mechanical data

These assemblies consist of display chips mounted on a header with molded plastic body. Multiple displays may be mounted on 11,43-mm (0.450-inch) centers.

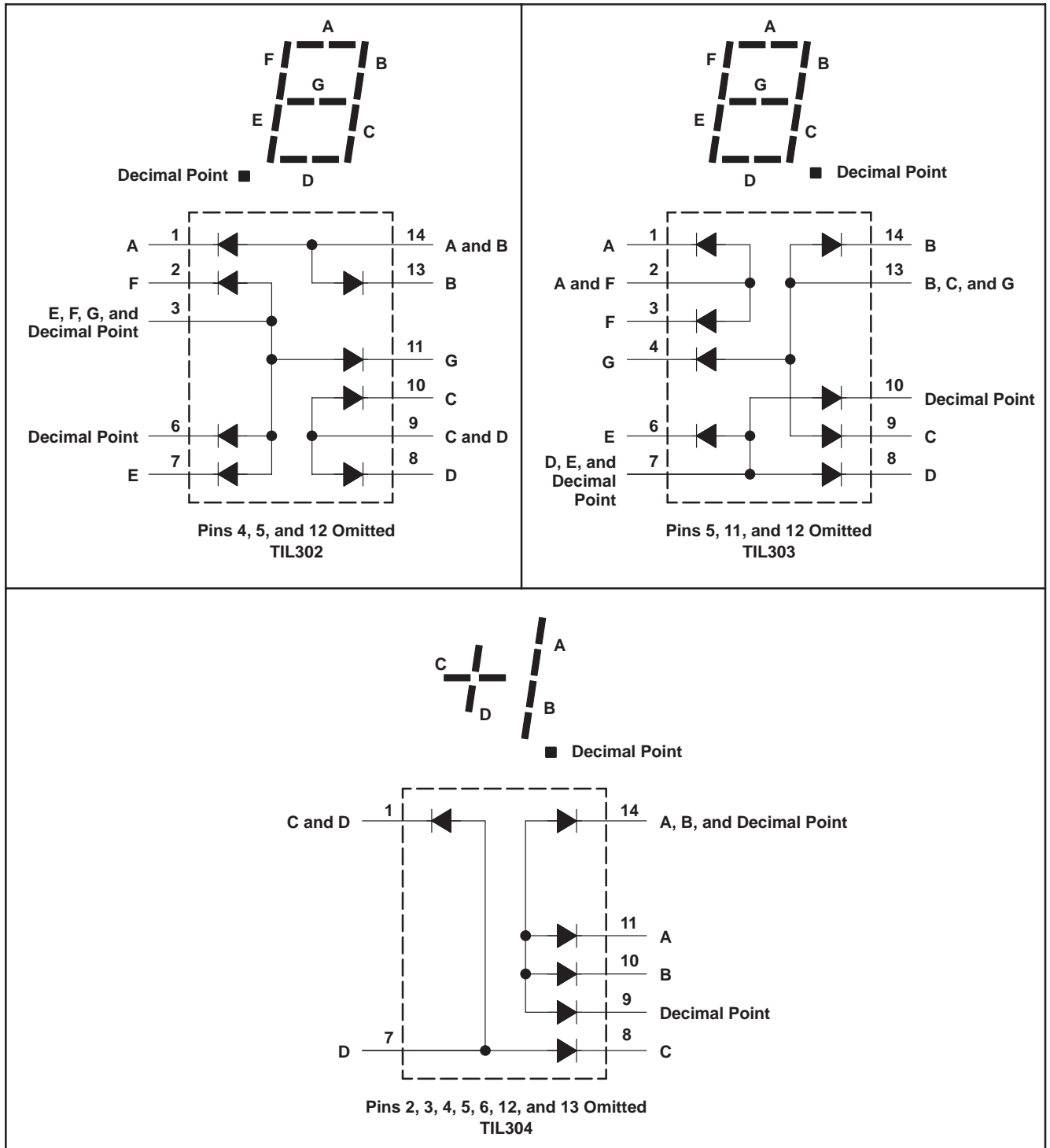


- NOTES: A. All linear dimensions are in millimeters and parenthetically in inches.  
 B. Centerlines of character segments are shown as dashed lines. Associated dimensions are nominal.  
 C. The true-position pin spacing is 2,54 mm (0.100 inch) between centerlines. Each centerline is located within 0,26 mm (0.010 inch) of its true longitudinal position relative to pins 1 and 11.

# TIL302, TIL303, TIL304 NUMERIC DISPLAYS

SOES010A, APRIL 1971 – REVISED DECEMBER 1993

## pin layouts



**absolute maximum ratings over operating free-air temperature range (unless otherwise noted)**

Reverse voltage at 25°C free-air temperature:	Each segment	6 V
	Decimal point	3 V
Peak forward current, each segment or decimal point (see Note 1)		200 mA
Continuous forward current:	Each segment or decimal point	30 mA
	Total for TIL302, TIL303	240 mA
	Total for TIL304	150 mA
Operating free-air temperature range, T <sub>A</sub>		0°C to 70°C
Storage temperature range		-25°C to 85°C

NOTE 1: This value applies for PRR ≥ 60 Hz, duty cycle ≤ 10%.

**operating characteristics of each segment at 25°C free-air temperature (unless otherwise noted)**

PARAMETER		TEST CONDITIONS	MIN	TYP	MAX	UNIT
I <sub>V</sub>	Luminous intensity (see Note 2)	I <sub>F</sub> = 20 mA	100	275		μcd
λ <sub>p</sub>	Wavelength at peak emission			660		nm
Δλ	Spectral bandwidth			20		nm
V <sub>F</sub>	Static forward voltage		3	3.4	3.8	V
α <sub>V<sub>F</sub></sub>	Average temperature coefficient of static forward voltage	I <sub>F</sub> = 20 mA, T <sub>A</sub> = 0°C to 70°C		-2.7		mV/°C
I <sub>R</sub>	Static reverse current	V <sub>R</sub> = 6 V			100	μA
C	Anode-to-cathode capacitance	V <sub>R</sub> = 0, f = 1 MHz		85		pF

**operating characteristics of decimal point at 25°C free-air temperature (unless otherwise noted)**

PARAMETER		TEST CONDITIONS	MIN	TYP	MAX	UNIT
I <sub>V</sub>	Luminous intensity (see Note 2)	I <sub>F</sub> = 20 mA	40	110		μcd
λ <sub>p</sub>	Wavelength at peak emission			660		nm
Δλ	Spectral bandwidth			20		nm
V <sub>F</sub>	Static forward voltage		1.5	1.65	2	V
α <sub>V<sub>F</sub></sub>	Average temperature coefficient of static forward voltage	I <sub>F</sub> = 20 mA, T <sub>A</sub> = 0°C to 70°C		-1.4		mV/°C
I <sub>R</sub>	Static reverse current	V <sub>R</sub> = 3 V			100	μA
C	Anode-to-cathode capacitance	V <sub>R</sub> = 0, f = 1 MHz		120		pF

NOTE 2: Luminous intensity is measured with a light sensor and filter combination that approximates the CIE (International Commission on Illumination) eye-response curve.



TYPICAL CHARACTERISTICS

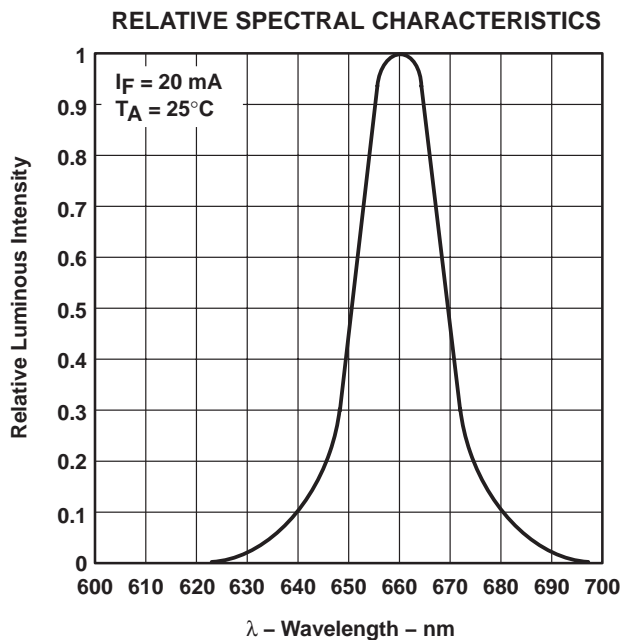


Figure 1

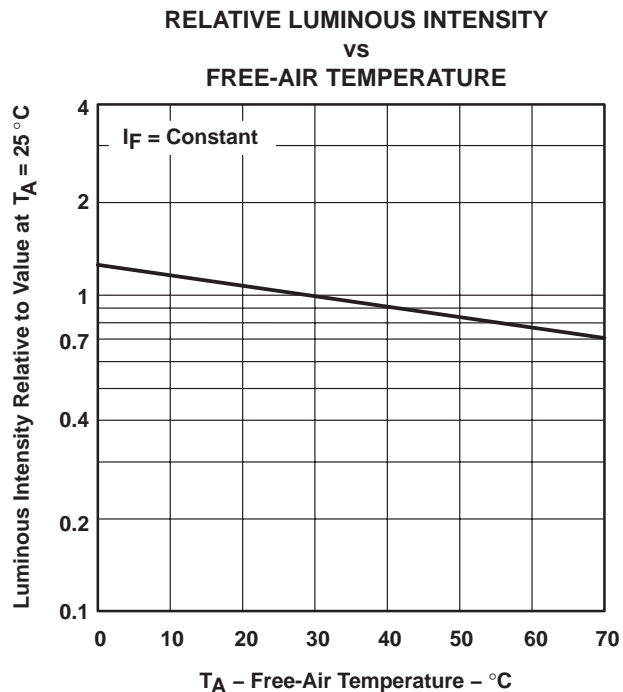


Figure 2

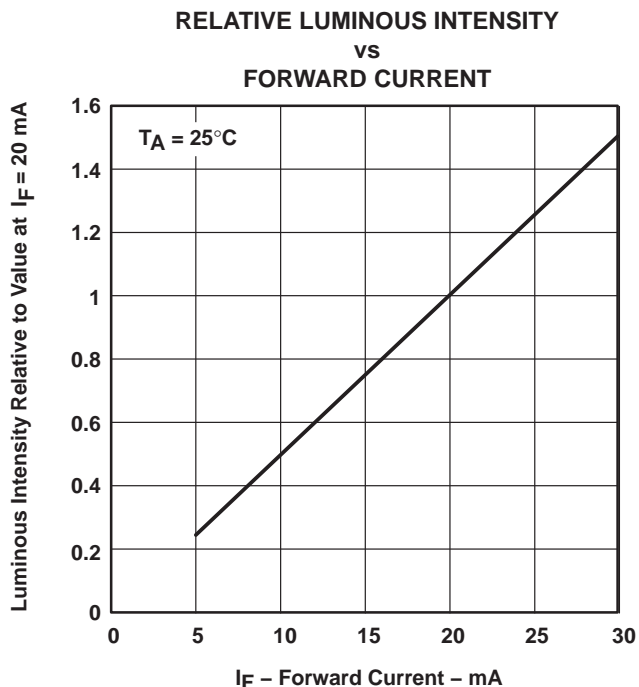


Figure 3

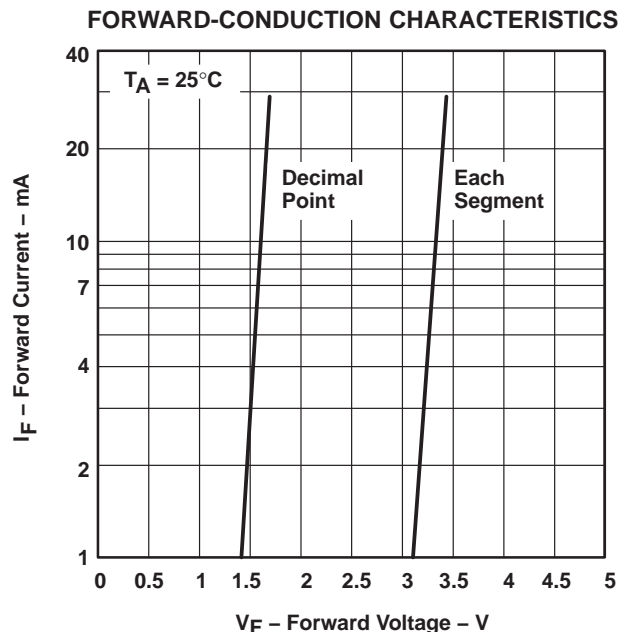
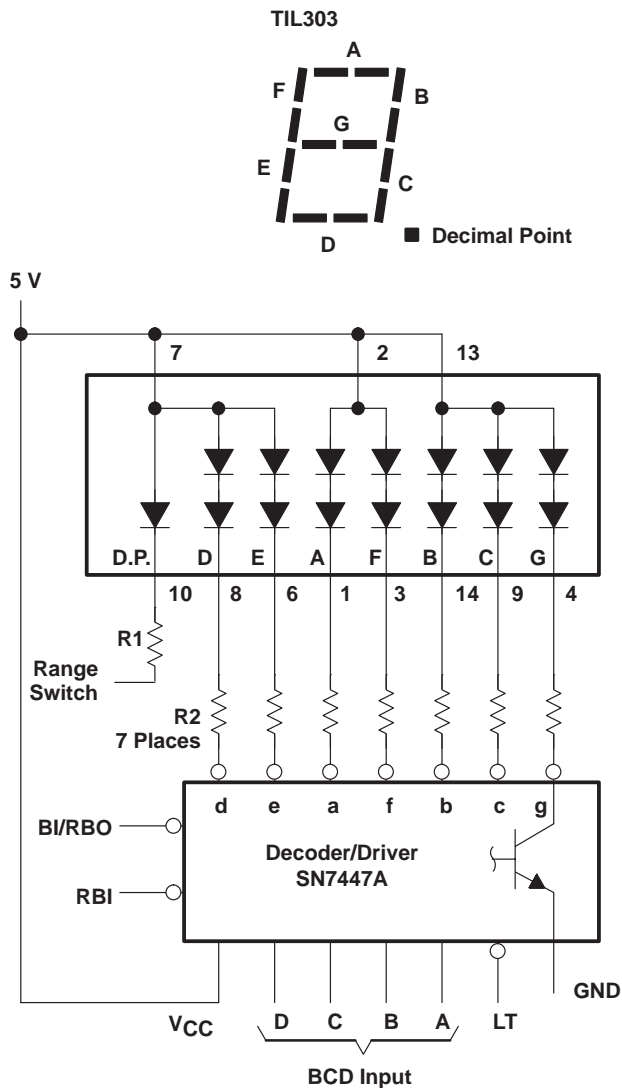
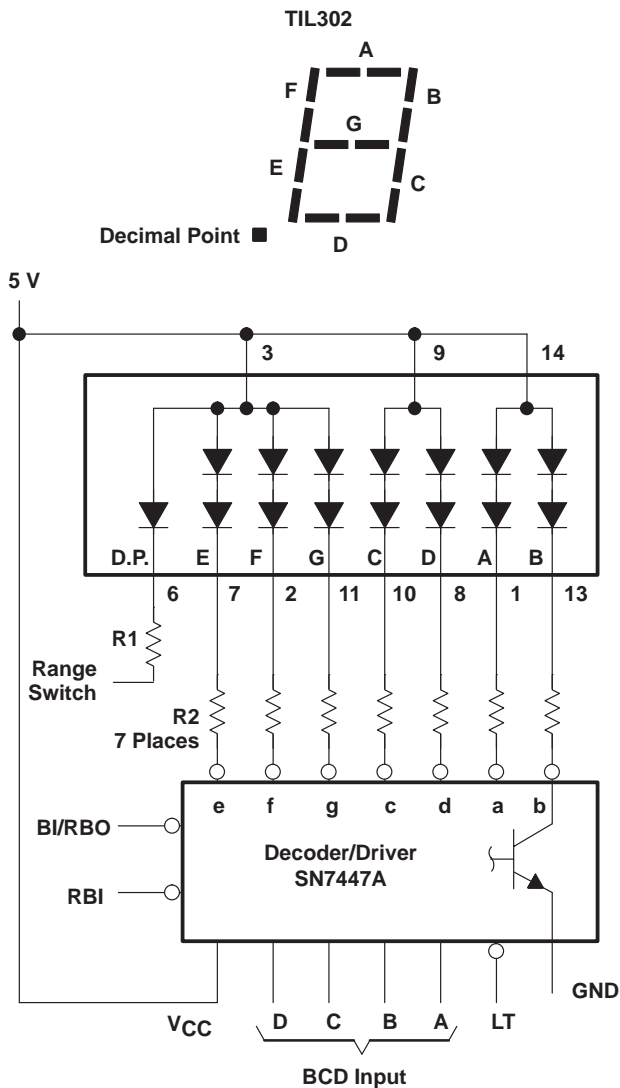


Figure 4

APPLICATION INFORMATION



NOTE A: R1 and R2 are selected for desired brightness.

# TIL302, TIL303, TIL304 NUMERIC DISPLAYS

SOES010A, APRIL 1971 – REVISED DECEMBER 1993

## APPLICATION INFORMATION

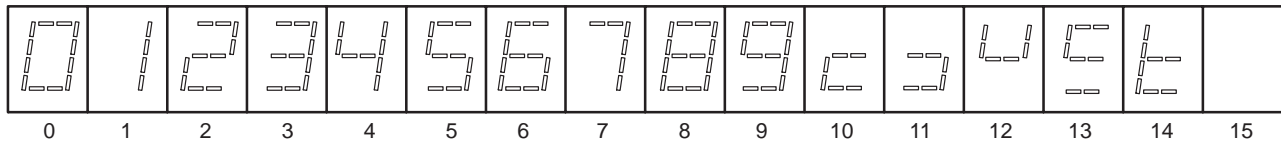
FUNCTION TABLE  
SN7447A

DECIMAL OR FUNCTION	INPUTS						BI/RBO†	SEGMENTS							NOTE
	LT	RBI	D	C	B	A		a	b	c	d	e	f	g	
0	H	H	L	L	L	L	H	ON	ON	ON	ON	ON	ON	OFF	1
1	H	X	L	L	L	H	H	OFF	ON	ON	OFF	OFF	OFF	OFF	1
2	H	X	L	L	H	L	H	ON	ON	OFF	ON	ON	OFF	ON	1
3	H	X	L	L	H	H	H	ON	ON	ON	ON	OFF	OFF	ON	1
4	H	X	L	H	L	L	H	OFF	ON	ON	OFF	OFF	ON	ON	1
5	H	X	L	H	L	H	H	ON	OFF	ON	ON	OFF	ON	ON	1
6	H	X	L	H	H	L	H	OFF	OFF	ON	ON	ON	ON	ON	1
7	H	X	L	H	H	H	H	ON	ON	ON	OFF	OFF	OFF	OFF	1
8	H	X	H	L	L	L	H	ON	ON	ON	ON	ON	ON	ON	1
9	H	X	H	L	L	H	H	ON	ON	ON	OFF	OFF	ON	ON	1
10	H	X	H	L	H	L	H	OFF	OFF	OFF	ON	ON	OFF	ON	1
11	H	X	H	L	H	H	H	OFF	OFF	ON	ON	OFF	OFF	ON	1
12	H	X	H	H	L	L	H	OFF	ON	OFF	OFF	OFF	ON	ON	1
13	H	X	H	H	L	H	H	ON	OFF	OFF	ON	OFF	ON	ON	1
14	H	X	H	H	H	L	H	OFF	OFF	OFF	ON	ON	ON	ON	1
15	H	X	H	H	H	H	H	OFF	OFF	OFF	OFF	OFF	OFF	OFF	1
BI	X	X	X	X	X	X	L	OFF	OFF	OFF	OFF	OFF	OFF	OFF	2
RBI	H	L	L	L	L	L	L	OFF	OFF	OFF	OFF	OFF	OFF	OFF	3
LT	L	X	X	X	X	X	H	ON	ON	ON	ON	ON	ON	ON	4

H = high level (logic 1 in positive logic), L = low level (logic 0 in positive logic), X = irrelevant

† BI/RBO is a wire-AND logic serving as a blanking input (BI) and/or ripple-blanking output (RBO).

- NOTES: 1. The blanking input (BI) must be open or held at a high logic level when output functions 0 through 15 are desired. The ripple-blanking input (RBI) must be open or high if blanking of a decimal zero is not desired.
2. When a low logic level is applied directly to the blanking input (BI), all segment outputs are off regardless of any other input.
3. When the ripple-blanking input (RBI) and inputs A, B, C, and D are at a low logic level with the lamp-test input (LT) high, all segment outputs are off and the ripple-blanking output (RBO) of the decoder goes to a low level (response condition).
4. When the blanking input/ripple-blanking output (BI/RBO) is open or held high and a low is applied to the lamp-test input (LT), all segments are illuminated.



NUMERICAL DESIGNATIONS RESULTANT DISPLAYS

## IMPORTANT NOTICE

Texas Instruments Incorporated and its subsidiaries (TI) reserve the right to make corrections, modifications, enhancements, improvements, and other changes to its products and services at any time and to discontinue any product or service without notice. Customers should obtain the latest relevant information before placing orders and should verify that such information is current and complete. All products are sold subject to TI's terms and conditions of sale supplied at the time of order acknowledgment.

TI warrants performance of its hardware products to the specifications applicable at the time of sale in accordance with TI's standard warranty. Testing and other quality control techniques are used to the extent TI deems necessary to support this warranty. Except where mandated by government requirements, testing of all parameters of each product is not necessarily performed.

TI assumes no liability for applications assistance or customer product design. Customers are responsible for their products and applications using TI components. To minimize the risks associated with customer products and applications, customers should provide adequate design and operating safeguards.

TI does not warrant or represent that any license, either express or implied, is granted under any TI patent right, copyright, mask work right, or other TI intellectual property right relating to any combination, machine, or process in which TI products or services are used. Information published by TI regarding third-party products or services does not constitute a license from TI to use such products or services or a warranty or endorsement thereof. Use of such information may require a license from a third party under the patents or other intellectual property of the third party, or a license from TI under the patents or other intellectual property of TI.

Reproduction of TI information in TI data books or data sheets is permissible only if reproduction is without alteration and is accompanied by all associated warranties, conditions, limitations, and notices. Reproduction of this information with alteration is an unfair and deceptive business practice. TI is not responsible or liable for such altered documentation. Information of third parties may be subject to additional restrictions.

Resale of TI products or services with statements different from or beyond the parameters stated by TI for that product or service voids all express and any implied warranties for the associated TI product or service and is an unfair and deceptive business practice. TI is not responsible or liable for any such statements.

TI products are not authorized for use in safety-critical applications (such as life support) where a failure of the TI product would reasonably be expected to cause severe personal injury or death, unless officers of the parties have executed an agreement specifically governing such use. Buyers represent that they have all necessary expertise in the safety and regulatory ramifications of their applications, and acknowledge and agree that they are solely responsible for all legal, regulatory and safety-related requirements concerning their products and any use of TI products in such safety-critical applications, notwithstanding any applications-related information or support that may be provided by TI. Further, Buyers must fully indemnify TI and its representatives against any damages arising out of the use of TI products in such safety-critical applications.

TI products are neither designed nor intended for use in military/aerospace applications or environments unless the TI products are specifically designated by TI as military-grade or "enhanced plastic." Only products designated by TI as military-grade meet military specifications. Buyers acknowledge and agree that any such use of TI products which TI has not designated as military-grade is solely at the Buyer's risk, and that they are solely responsible for compliance with all legal and regulatory requirements in connection with such use.

TI products are neither designed nor intended for use in automotive applications or environments unless the specific TI products are designated by TI as compliant with ISO/TS 16949 requirements. Buyers acknowledge and agree that, if they use any non-designated products in automotive applications, TI will not be responsible for any failure to meet such requirements.

Following are URLs where you can obtain information on other Texas Instruments products and application solutions:

### Products

Amplifiers	<a href="http://amplifier.ti.com">amplifier.ti.com</a>
Data Converters	<a href="http://dataconverter.ti.com">dataconverter.ti.com</a>
DLP® Products	<a href="http://www.dlp.com">www.dlp.com</a>
DSP	<a href="http://dsp.ti.com">dsp.ti.com</a>
Clocks and Timers	<a href="http://www.ti.com/clocks">www.ti.com/clocks</a>
Interface	<a href="http://interface.ti.com">interface.ti.com</a>
Logic	<a href="http://logic.ti.com">logic.ti.com</a>
Power Mgmt	<a href="http://power.ti.com">power.ti.com</a>
Microcontrollers	<a href="http://microcontroller.ti.com">microcontroller.ti.com</a>
RFID	<a href="http://www.ti-rfid.com">www.ti-rfid.com</a>
RF/IF and ZigBee® Solutions	<a href="http://www.ti.com/lprf">www.ti.com/lprf</a>

### Applications

Audio	<a href="http://www.ti.com/audio">www.ti.com/audio</a>
Automotive	<a href="http://www.ti.com/automotive">www.ti.com/automotive</a>
Broadband	<a href="http://www.ti.com/broadband">www.ti.com/broadband</a>
Digital Control	<a href="http://www.ti.com/digitalcontrol">www.ti.com/digitalcontrol</a>
Medical	<a href="http://www.ti.com/medical">www.ti.com/medical</a>
Military	<a href="http://www.ti.com/military">www.ti.com/military</a>
Optical Networking	<a href="http://www.ti.com/opticalnetwork">www.ti.com/opticalnetwork</a>
Security	<a href="http://www.ti.com/security">www.ti.com/security</a>
Telephony	<a href="http://www.ti.com/telephony">www.ti.com/telephony</a>
Video & Imaging	<a href="http://www.ti.com/video">www.ti.com/video</a>
Wireless	<a href="http://www.ti.com/wireless">www.ti.com/wireless</a>

Mailing Address: Texas Instruments, Post Office Box 655303, Dallas, Texas 75265  
Copyright © 2009, Texas Instruments Incorporated