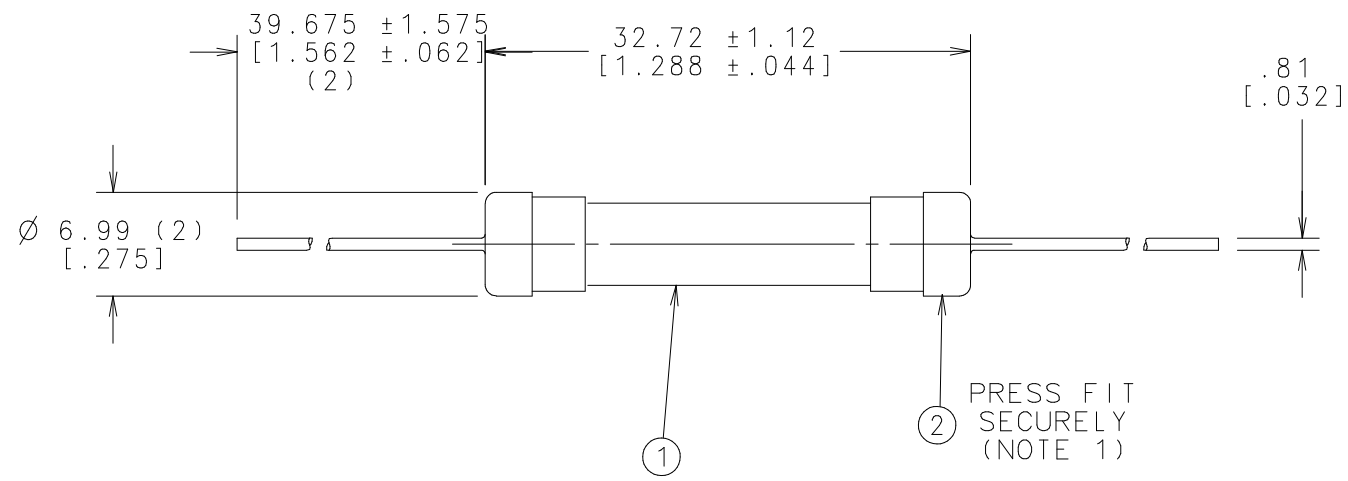


PART NUMBER	AMPS	VOLTS	FUSE SUB-ASSEMBLY	CATALOG NUMBER	DESCRIPTION	UPC CODE	CE LOGO	CSA LOGO	I.R. REQ'D	UL LISTED 717H FUSE LOGO	RoHS LOGO	Pb-FREE LOGO
0375012.HXP	12	125	375012-P	375012P	FUSE 125V SB PT 3AG Pb-FREE 12A	079458 10025	YES	YES	10,000A 125V AC	YES	YES	YES
0375015.HXP	15	125	375015-P	375015P	FUSE 125V SB PT 3AG Pb-FREE 15A	079458 10027	YES	YES	10,000A 125V AC	YES	YES	YES

LTR	DATE	REVISION	CHK	APD
A	03/10/05	61695 - RELEASED	PJM	
B	11/30/05	84645B-CHG 32.39 TO 32.72	PJM	



#### NOTES:

1. OUTER CAP & LEAD ASSEMBLY SHALL WITHSTAND A PULL TEST OF 10 POUNDS WITHOUT SEPARATING FROM FUSE CAP.
2. MEASURE VOLTAGE DROP AND COLD RESISTANCE PER ES-001038.
3. PACK 100 FUSES IN BOX 896-180 AND LABEL.
4. LABEL TO BE APPLIED TO THE END OF THE BOX WITH BAR CODE PORTION WRAPPED AROUND THE SIDE.

(1P) PART NO 0375015.HXP

(Q) QTY 100 CATALOG/PREVIOUS No: 375015P

(L) LOT NO TEST 2AG

0 79458 10027 13

FUSE 125V SB PT 3AG Pb-FREE 15A 03/02/05

LITTELFUSE INC. COUNTRY OF ORIGIN CHINA MM/DD/YY

RoHS 無リテリテュース 電子機器用

UL LISTED 717H MINIATURE FUSE I.R. 10,000A 125V AC

CE

NOTE: LABEL ILLUSTRATION(S) IS FOR REFERENCE ONLY. THE ACTUAL COPY AND REGULATORY MARKINGS WILL VARY BY THE INDIVIDUAL PART NUMBER SEE CHART.

NO	COMPONENT NO	DESCRIPTION	QTY/M	U/M
3	896-180	CARTON	10	EA
2	934-054	CAP AND LEAD ASSEMBLY	2000	EA
1	SEE CHART	FUSE SUB-ASSEMBLY	1000	EA

#### BILL OF MATERIAL

UNLESS OTHERWISE SPECIFIED, DIMENSIONS ARE IN MILLIMETERS. DIMENSIONS IN BRACKETS [ ] ARE INCHES.

UNLESS OTHERWISE SPECIFIED, DIMENSIONS DO NOT INCLUDE PLATING.

SYMBOL	DESCRIPTION
○	DENOTES CRITICAL CHARACTERISTICS.
CPK	DENOTES CPK DIMENSIONS, -MINIMUM CPK VALUE
(ST)	DENOTES A CHARACTERISTIC THAT PROVIDES AN INDICATION OF PROCESS PERFORMANCE. PROCEDURE FOR MEASUREMENT AND TRACKING TO BE DEFINED IN LITTELFUSE INSPECTION INSTRUCTIONS.
CP	DENOTES CP DIMENSIONS, -MINIMUM CP VALUE. MUST BE WITHIN THE DIMENSIONAL LIMITATIONS SHOWN ON DRAWING AND INITIALLY LOCATED TO ALLOW FOR MAXIMUM TOOL LIFE.
COPIES TO	MATL SPEC
1 9 18	FINISH
2 10 19	
3 12 20	
4 13 21	DRW PJM DATE 03/10/05 SCALE 2:1
5 14 23	
6 15 33	CHK DATE SUPER DR
7 16 43	APPS DATE FINISH GOOD WT
8 17 93	GRAMS/PIECE
TOLERANCE UNLESS OTHERWISE SPECIFIED	
TWO PLACE DEC ± .25 [0.01] FRACTION ±	
THREE PLACE DEC ± .100 [0.004] ANGULAR ± 1°	
3RD ANGLE PROJECTION	TITLE 3AG SLO-BLO FUSE Pb-FREE 100 PACK
	Littelfuse
DES PLAINES, ILLINOIS 60016	REVISION B
	DRAWG. NO. 0375000.HXP
	SERIES

CAD GENERATED DRAWING - NO PENCIL CHANGES ALLOWED