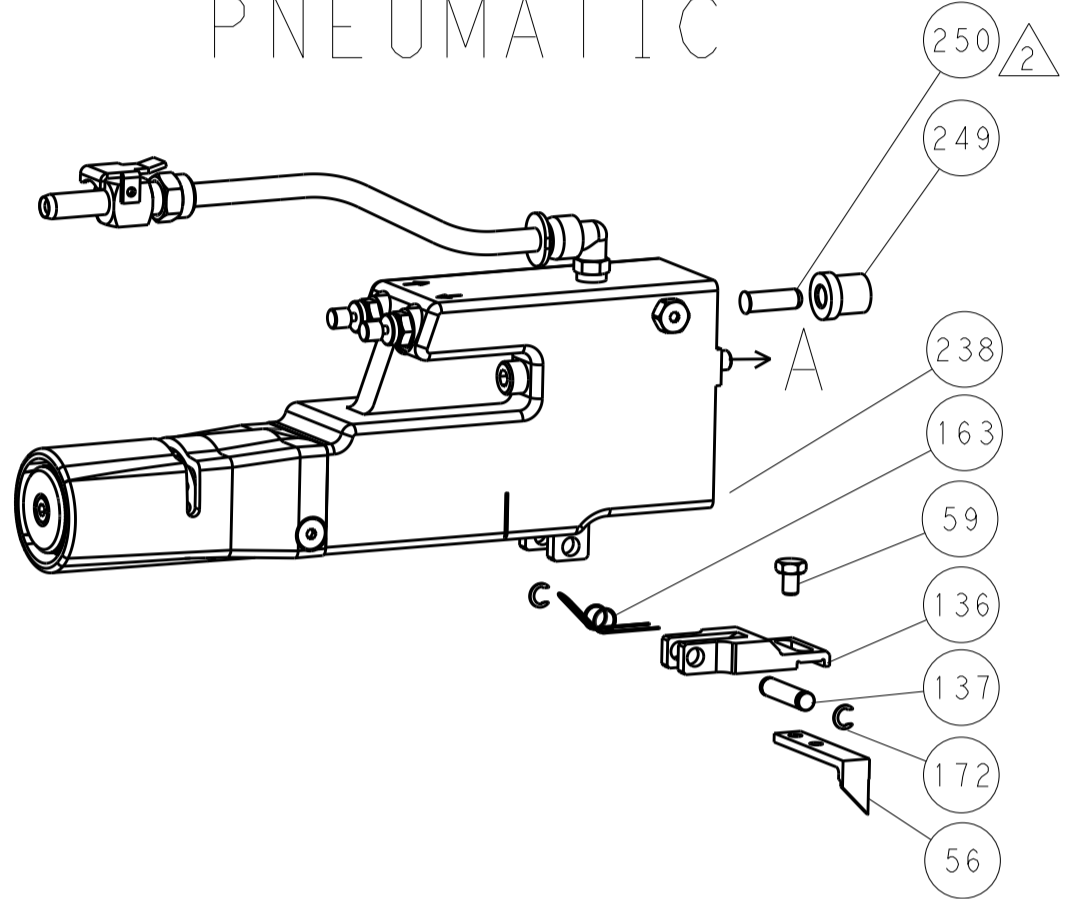


LOC	DIST	REV	DATE	BY	APPV
A	66				

FEED TYPE MECHANICAL



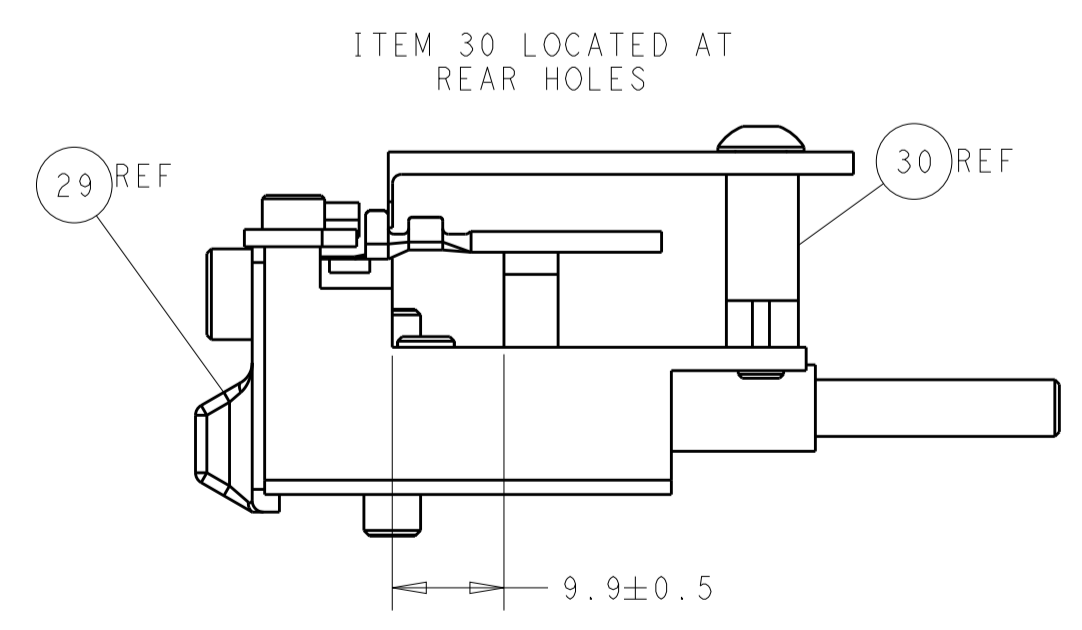
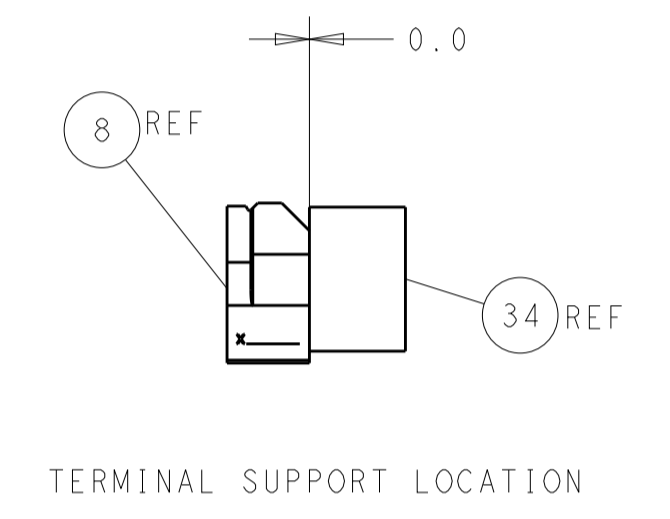
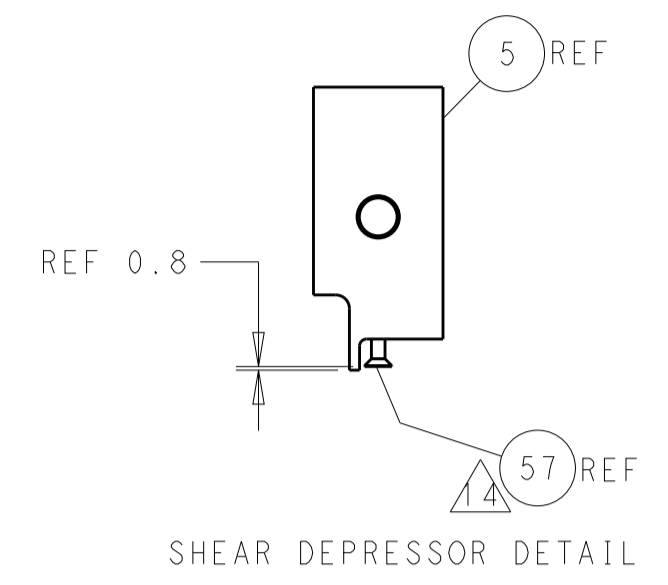
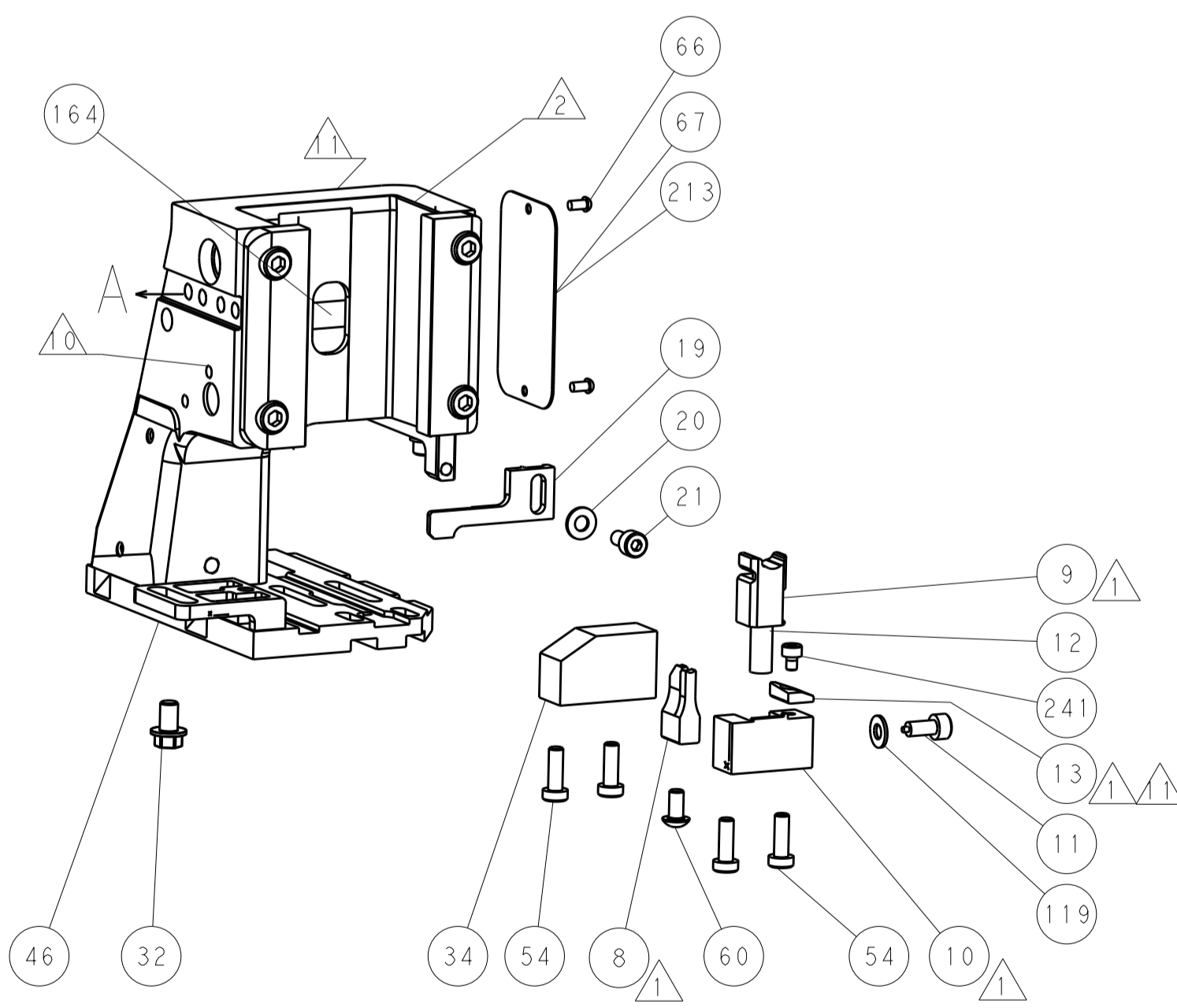
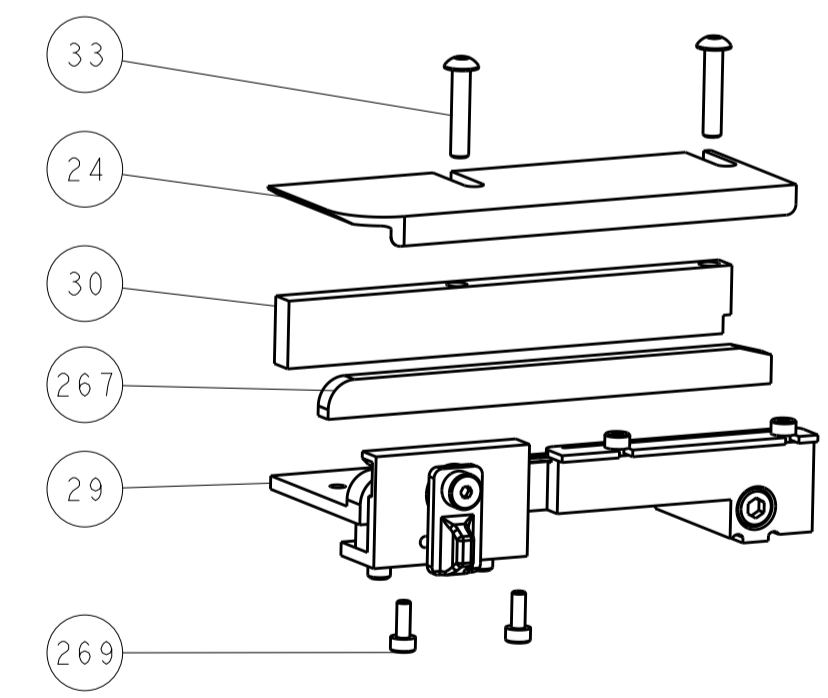
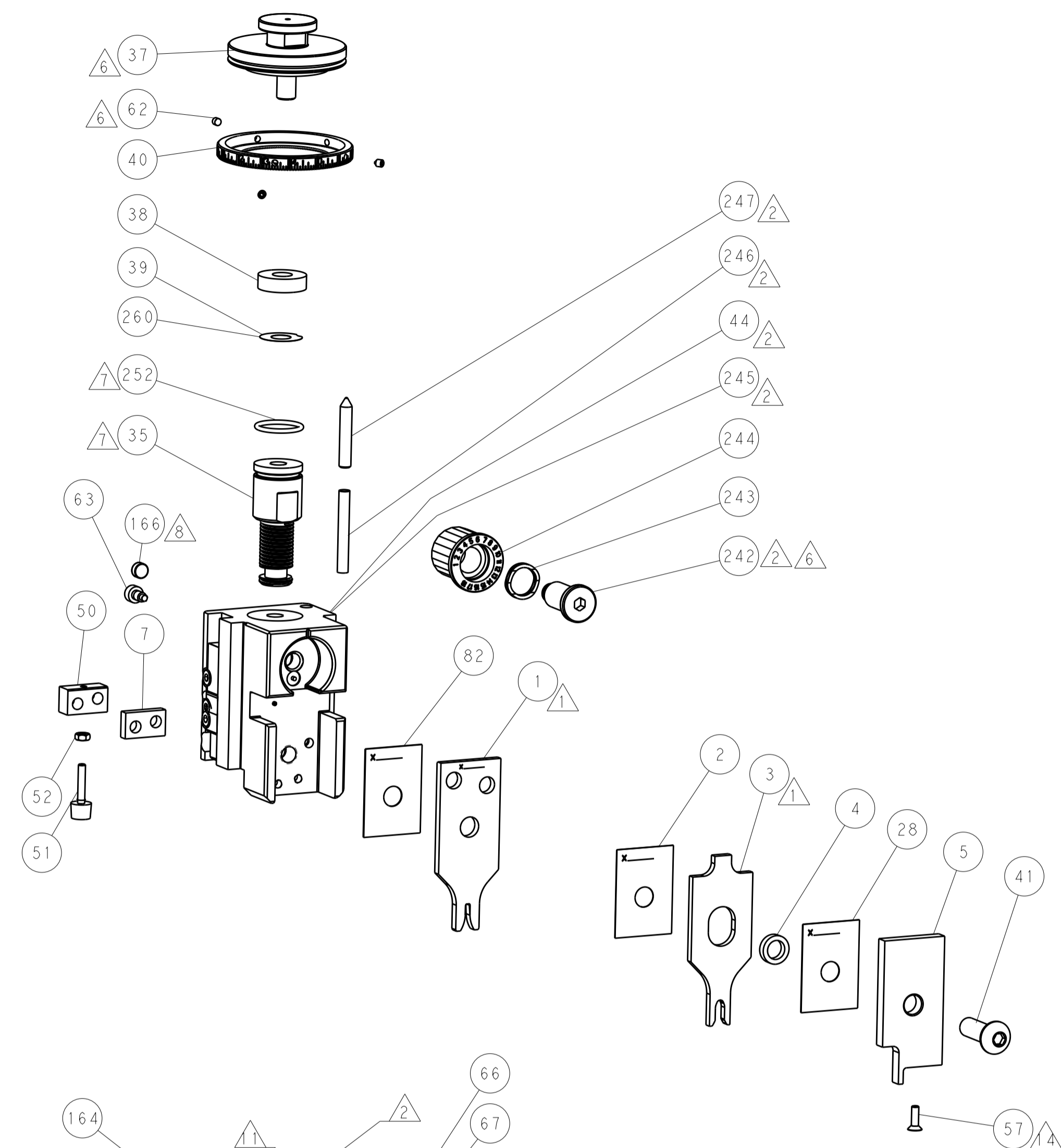
PNEUMATIC



SERVO LATCH PLATE



CAM POSITIONS



ATLANTIC VERSION
 Shown on sheets 1 of 4 & 2 of 4
 (Pacific version shown on sheets 3 of 4 & 4 of 4)

DIMENSIONS:		TOLERANCES UNLESS OTHERWISE SPECIFIED:		REVISIONS	
mm	0 PLC	±		DATE	BY
	1 PLC	±			
	2 PLC	±			
	3 PLC	±			
	4 PLC	±			
	ANGLES	±			
MATERIAL	FINISH				

DWN	R. HUANG	29AUG2012	TE Connectivity Harrisburg, PA 17105-3608	
CHK	S. XI	29AUG2012		
APPV	S. XI	29AUG2012		
NAME	Ocean Side Feed Applicator			
PRODUCT SPEC	SIZE	CAGE CODE	DRAWING NO.	RESTRICTED TO
APPLICATION SPEC	A1	00779	2151480	
WEIGHT	SCALE		1:2	SHEET 2 OF 4
CUSTOMER DRAWING	REV		D	

LOC	DIST	REV	DATE	BY	APPV
A	66				

FEED TYPE MECHANICAL



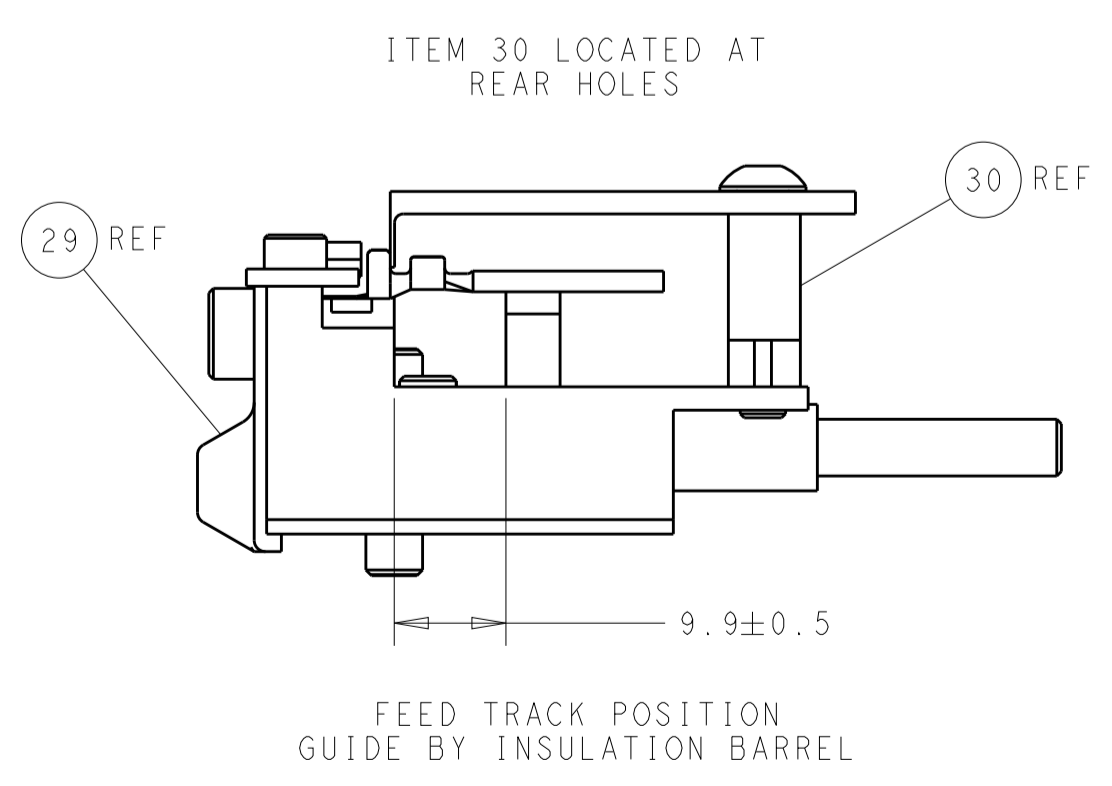
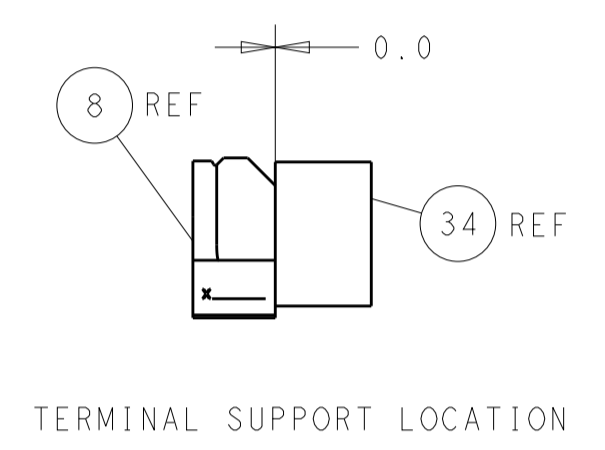
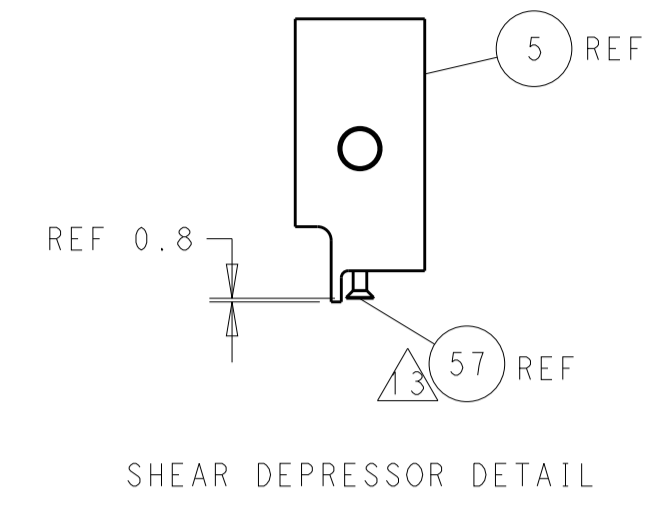
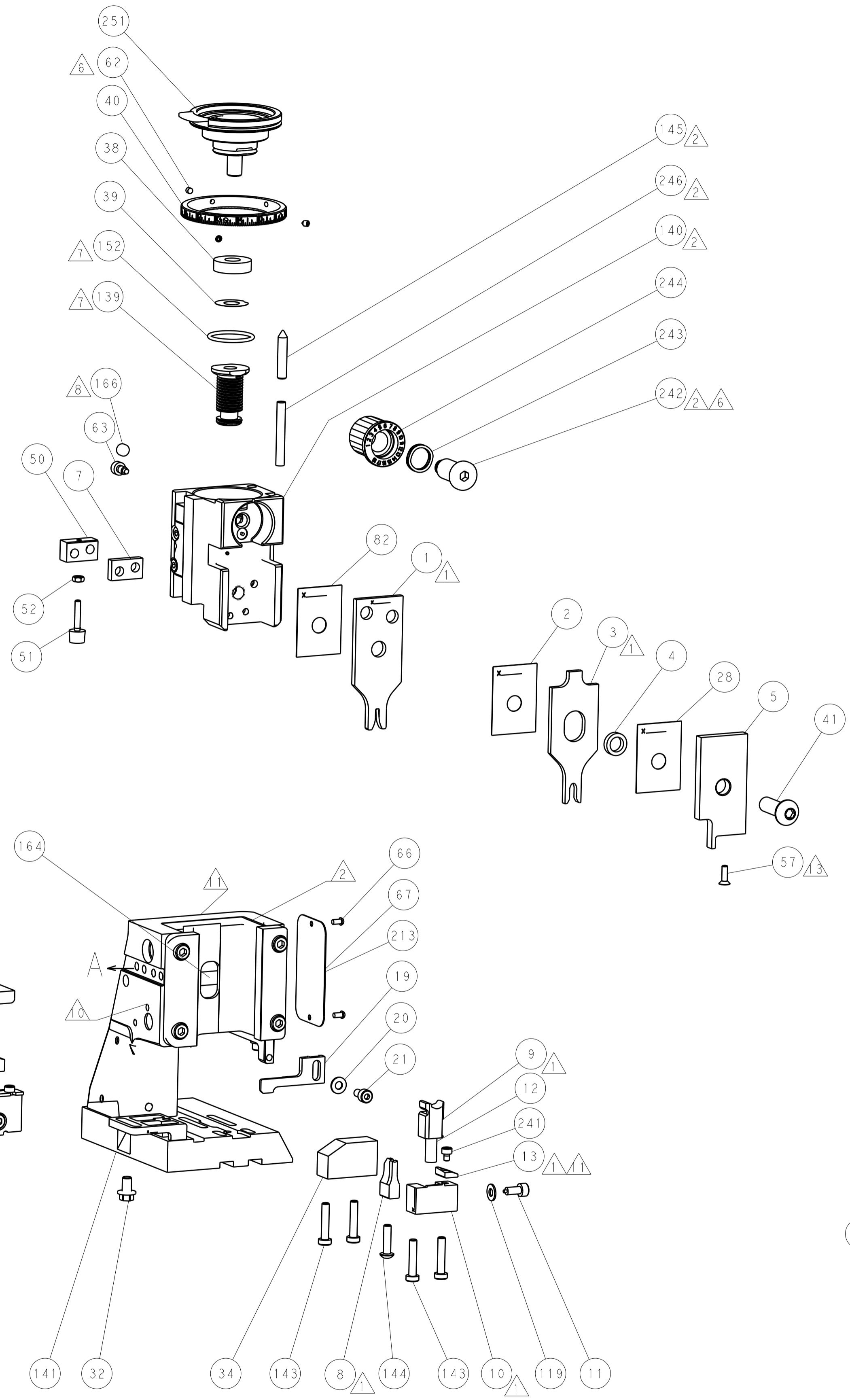
PNEUMATIC



SERVO LATCH PLATE



CAM POSITIONS



PACIFIC VERSION
 Shown on sheets 3 of 4 & 4 of 4
 (Atlantic version shown on sheets 1 of 4 & 2 of 4)

DIMENSIONS: mm 		TOLERANCES UNLESS OTHERWISE SPECIFIED: 0 PLC ± 1 PLC ± 2 PLC ± 3 PLC ± 4 PLC ± ANGLES ±		DWN R. HUANG 29AUG2012 CHK S. XI 29AUG2012 APVD S. XI 29AUG2012 PRODUCT SPEC APPLICATION SPEC WEIGHT CUSTOMER DRAWING		NAME Ocean Side Feed Applicator SIZE CAGE CODE DRAWING NO. RESTRICTED TO A1 00779 ©=2151480 SCALE 1:2 SHEET 4 OF 4 REV D	
-----------------------	--	---	--	---	--	---	--