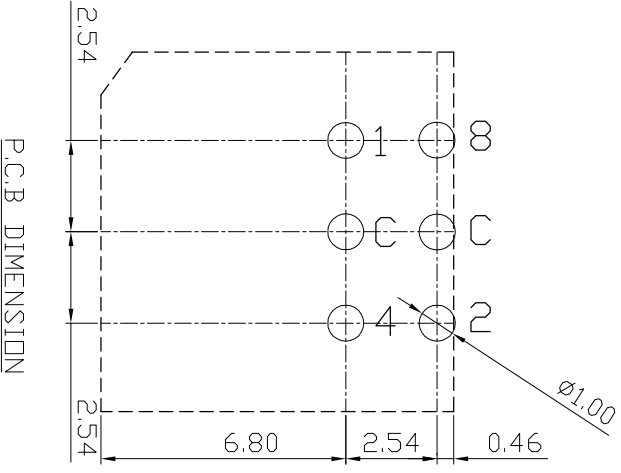
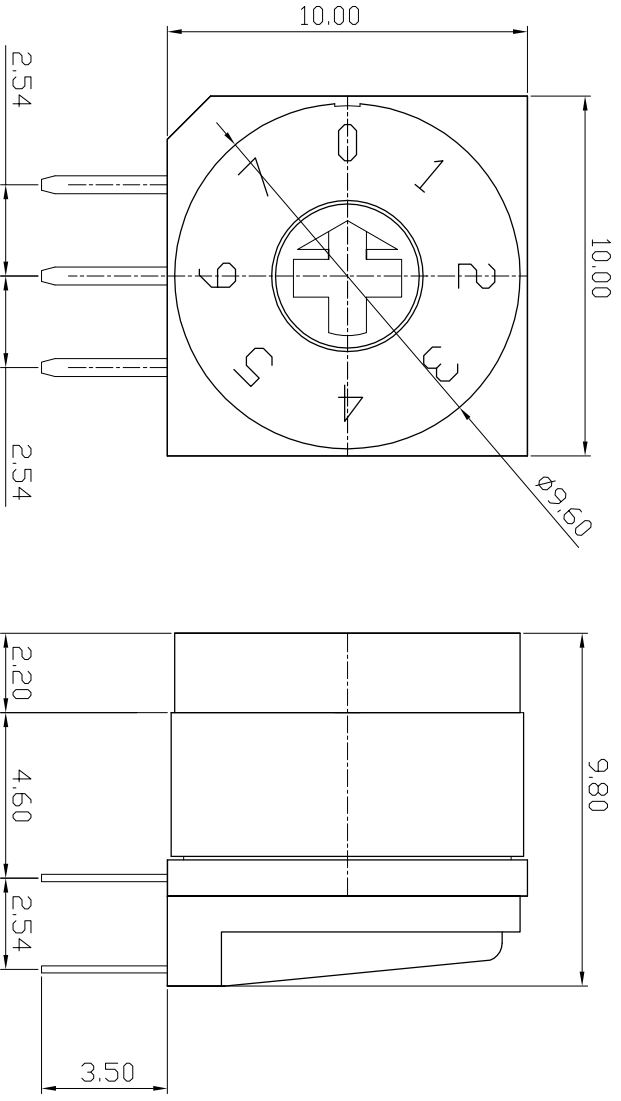
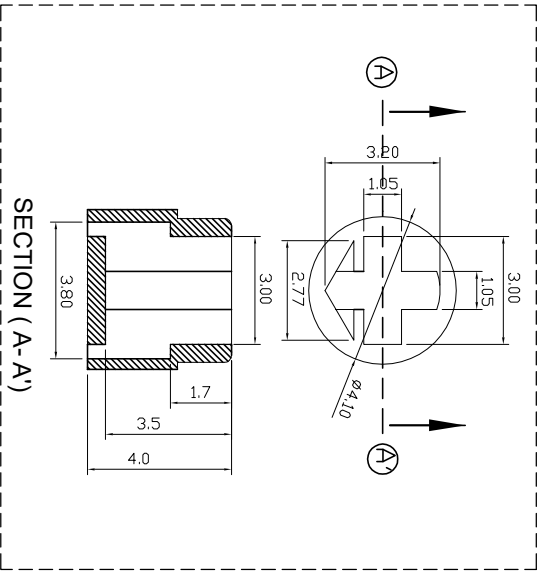


MARK	DATE	REMARKS
△		
△		



- ### SPECIFICATION
1. Rating : 150mA, 42V DC (Switching)
200mA, 42V DC (None-Switching)
 2. Contact Resistance : 80mΩ Max
 3. Insulation Resistance : 100MΩ Min
 4. Operating Force : 700gf Max
 5. Life cycle : 10,000 steps

Real Coded					
	C	1	2	4	8
0	●				
1	●	●			
2	●		●		
3	●	●	●		
4	●			●	
5	●	●			●
6	●				●
7	●	●	●	●	●



APPD	CHKD	D'SGD	TITLE
K.L LEE	J.P ROH	W.J LEE	ROTARY DIP SWITCH
MODEL NO.		TER-08H1	
SUNGJUN ELECTRONICS CO., LTD.		REV	B