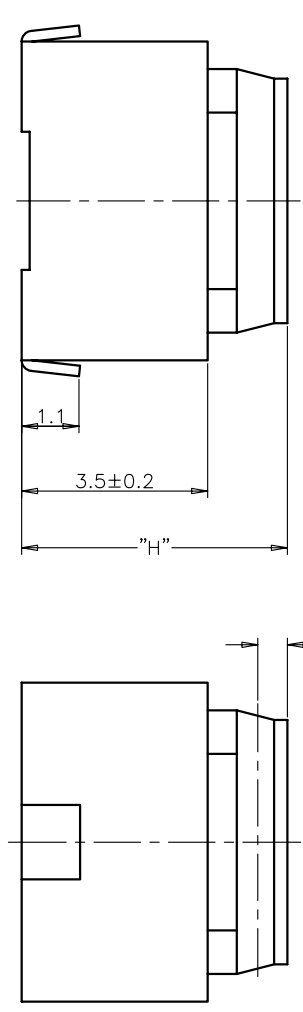


规格 Specifications

额定负荷 Rating	DC 12V/50mA
接触电阻 Contact Resistance	100mΩ max.
绝缘电阻 Insulation resistance	DC100V 60S 100MΩ min.
抗电强度 Dielectric strength	AC250V(50~60HZ) 60S min.
操作力 Operation force	≤180±30gf
寿命试验 Operating life	100,000cycles ≥250±50gf
行程 Travels	100,000cycles

看左侧编码说明



PRODUCT NO. : 1TS009*****-CT

- 轻触开关
TMRV系列
- 外形:
A=弧盖弯脚
B=平盖弯脚
C=弧盖平脚
D=平盖平脚
- 按钮颜色:
底座颜色:
盖板颜色:
- 操作力度:
160=160±30gf
180=180±30gf
250=250±50gf
260=260±50gf
280=280±50gf
300=300±50gf
- 手感:
0=常规
1=大手感
2=小手感
3=特殊手感
- 材质:
0=LCP
1=新增材质
依次增加
- 产品高度(H):
430=4.3mm (行程:0.7±0.2mm)
500=5.0mm (行程:1.3±0.3mm)
- 非编带, 不启用

ITEM	PART NAME	QUANTITY	MATERIAL	FINISH
5	COVER	1	LCP	BLACK
4	ACTUATOR	1	SILICONE	/
3	CONTACT	1	STAINLESS STEEL	Ag-PLATED
2	TERMINAL	2	BRASS	Ag-PLATED
1	HOUSING	1	LCP	BLACK

X. ±	0.3	X. ±	3'	UNITS	MM
X ±	0.2	X. ±	2'	MAT'L	
.XX ±	0.1	.XX' ±	1'	FINISH	
XXX ±	0.05	XXX' ±	0.5'		

NAME(INTENDED USE)	TMRV SERIES TACT SWITCH	HON YUAN
PART NO.(INTENDED USE)	1TS009B-****-***0	HON YUAN PRECISION IND. CO.,LTD. SHENZHEN, CHINA, R.O.C.
APPD:	ZO 2015-11-10	DWG NO.: 1TS009B
CHKD:	LI 2015-11-10	SCALE SHEET
DRY:Y.Chen 2015-11-10		10/1 1/1

THESE DRAWINGS AND SPECIFICATIONS ARE THE PROPERTY OF HON YUAN PRECISION IND. CO., LTD. AND SHALL NOT BE REPRODUCED, COPIED OR USED IN ANY MANNER WITHOUT THE PRIOR WRITTEN CONSENT OF HON YUAN PRECISION IND. CO., LTD.