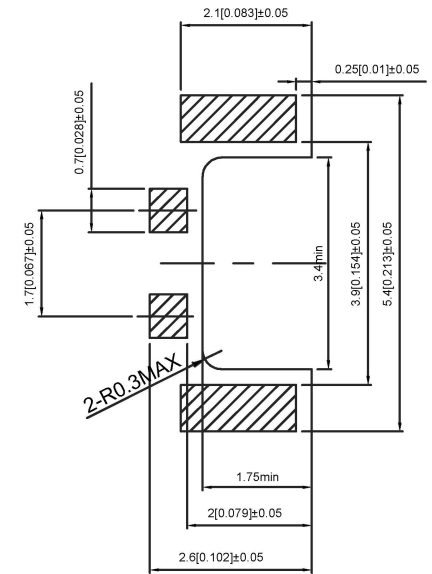


CIRCUIT DIAGRAM



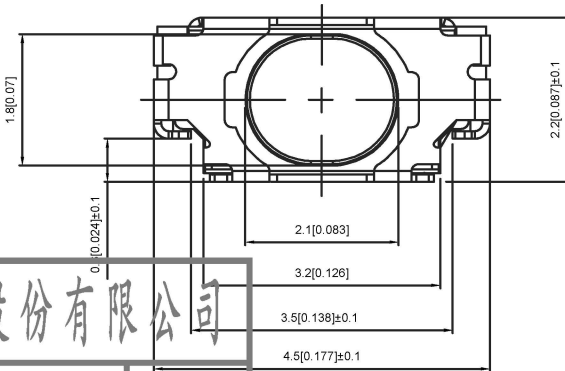
PCB LAND DIMENSION

SPECIFICATION

Contact Rating: 50mA, 12V DC

Contact Resistance: 100mΩ min. 500V DC

Dielectric Strength: 250V AC/1minute



2.6mm	BLACK	BLACK	220±50gf	60000 Cycles
H	STEM COLOR	BASE COLOR	O/FORCE	LIFE

广东星坤科技股份有限公司

生效	日期
文件工程章	REVISIONS

units:	mm
tolerance:	
X.X	±0.2mm
X.XX	±0.1mm
X.XXX	±0.05mm
UNSPECIFIED TOLERANCES	

DSND	DATE	SCALE: N/A	MODEL TYPE: TACT SWITCH
DWN	DATE	VIEW:	PART NO.:
CHKD	DATE	UNIT: mm/in	DWG NO.: TS-1848FP
APPD	DATE	SIZE: A4	WEIGHT SHEET REVISION
XKB INDUSTRIAL PRECISION CO., LIMITED			1.0g 1/1 A0