

# SMB Connector (Low Cost Version)

## PSC Series

DDK Ltd.

Conforming Standard

MIL-PRF-39012

Connector Type

SMB

Frequency Range

DC ~ 4GHz

Characteristic Impedance

50 Ω

Applicable Cable

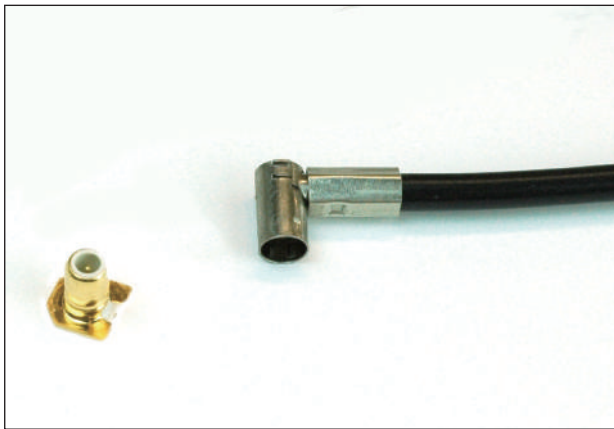
1.5D-2W, UT-085  
RG-316

Lock Type

Push-on

Mounting Type

DIP or SMT



### OUTLINE

PSC series is intermateable with SMB connectors which conform to MIL-PRF-39012 and modified smaller and lighter. The shell and contact are press-fabricated and the insulator is formed by mold to meet low cost requirement.

### APPLICATIONS

Base station, Telecom, Measurement equipment

### FEATURE

1. VSWR is less than 1.2 at frequency range DC ~ 4GHz.
2. Mating height is 9mm(max.) from PCB surface.(Mating connector is PSC-SR-RS-D2)
3. Applicable cable is a flexible cable and a semi-flexible cable.

### SPECIFICATIONS

Characteristic Impedance	50 Ω
Rated Voltage	335VAC(r.m.s.)
Dielectric Withstanding Voltage	1000V AC(r.m.s) / 1 minute
Insulation Resistance	1000M Ω (min.) at 500V DC
Contact Resistance	6m Ω (max.)
Frequency Range	DC ~ 4GHz
VSWR	1.2(max.)
Mating Height	9.0mm(max.) (PSC series)
Operating Temperature	-40 ~ +85°C

\* The specifications are typical but may not apply to all connectors. Please check the specifications on each item with its drawing from us when you use.

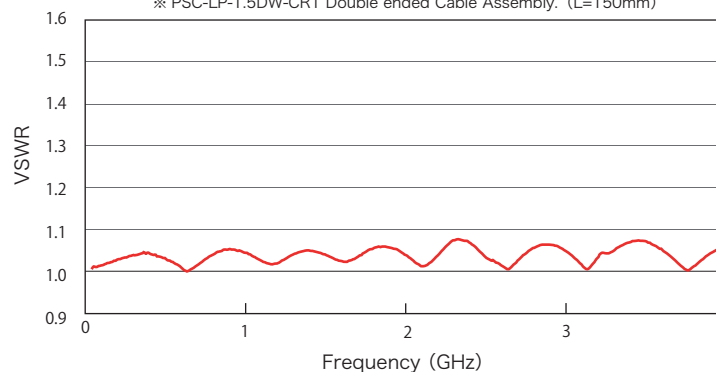
### MATERIAL/FINISH



Contact	Copper Alloy / Au Plating
Insulator	Fluorine Resin , PA Resin
Outer Conductor	Copper Alloy / Ni Plating, Au Plating

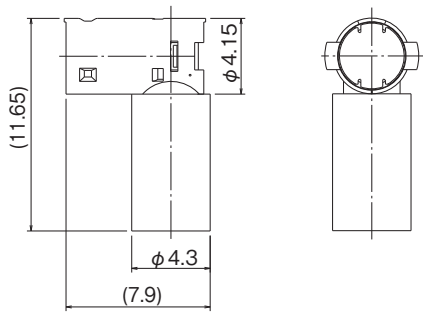
### VSWR

※ PSC-LP-1.5DW-CR1 Double ended Cable Assembly. (L=150mm)



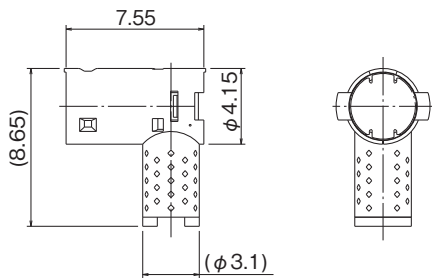
© Please acknowledge that the specification etc. of this catalog might change by the improvement etc. without notice. Moreover, the characteristic and the specification of the published product are the reference values. Please confirm the content with the latest delivery specifications when you use the product.

▶ Plug Connector



Part Number	Contact	Outer Conductor	Applicable Cable
PSC-LP-1.5DW-CR1	Au	Ni	1.5D-2W Equivalent 1.5D-HQ · SUPER (Fujikura) Equivalent
PSC-LP-1.5DW-CR1-D1		Au	
PSC-LP-316U-CR1	Au	Ni	RG-316/U Equivalent
PSC-LP-316U-CR1-D1		Au	

◎ Please favor us your cable assembly order to assure the performance.  
※ Appearance is exactly same.



Part Number	Contact	Outer Conductor	Applicable Cable
PSC-LP-FCCAX1-SO	Au	Ni	FCCAXB1 (Nissei) Equivalent (UT-85 Equivalent Semi-flexible Cable)
PSC-LP-FCCAX1-SO-D1		Au	

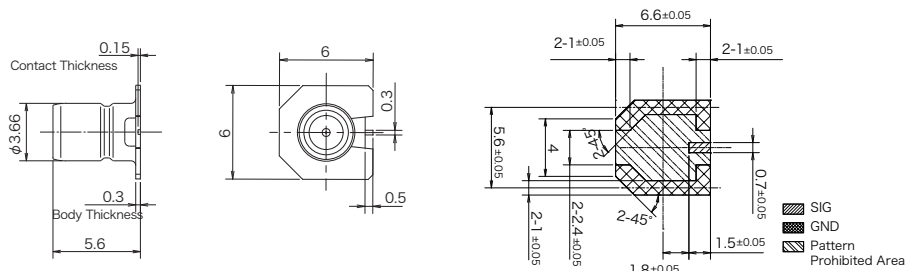
◎ Please favor us your cable assembly order to assure the performance.

▶ Straight Receptacle Connector

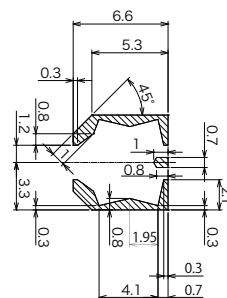
SMT Type

Part Number	Contact	Outer Conductor	Packaging style	Quantity
PSC-SR-PS-D2	Au	Au	Embossed packaging	1000 pcs / reel

※ This product will be sold in 1000 pieces / reel



PCB Land Reference Dimensions

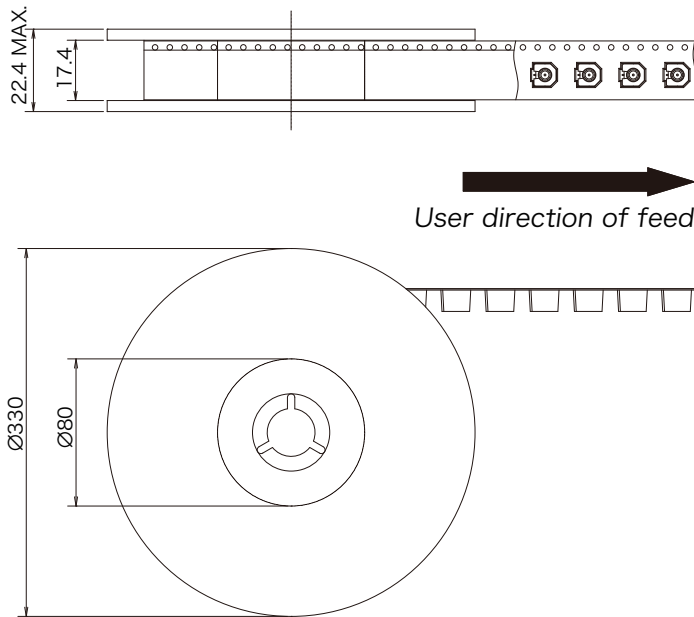


Metal Mask Dimensions (t=0.1~0.15mm)

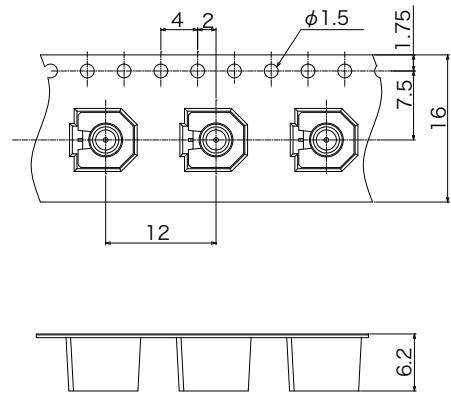
◎ Please acknowledge that the specification etc. of this catalog might change by the improvement etc. without notice.  
Moreover, the characteristic and the specification of the published product are the reference values.  
Please confirm the content with the latest delivery specifications when you use the product.

▶ Packaging Specifications

■ Reel Dimensions



■ Emboss Tape Dimensions



© Please acknowledge that the specification etc. of this catalog might change by the improvement etc. without notice.  
 Moreover, the characteristic and the specification of the published product are the reference values.  
 Please confirm the content with the latest delivery specifications when you use the product.