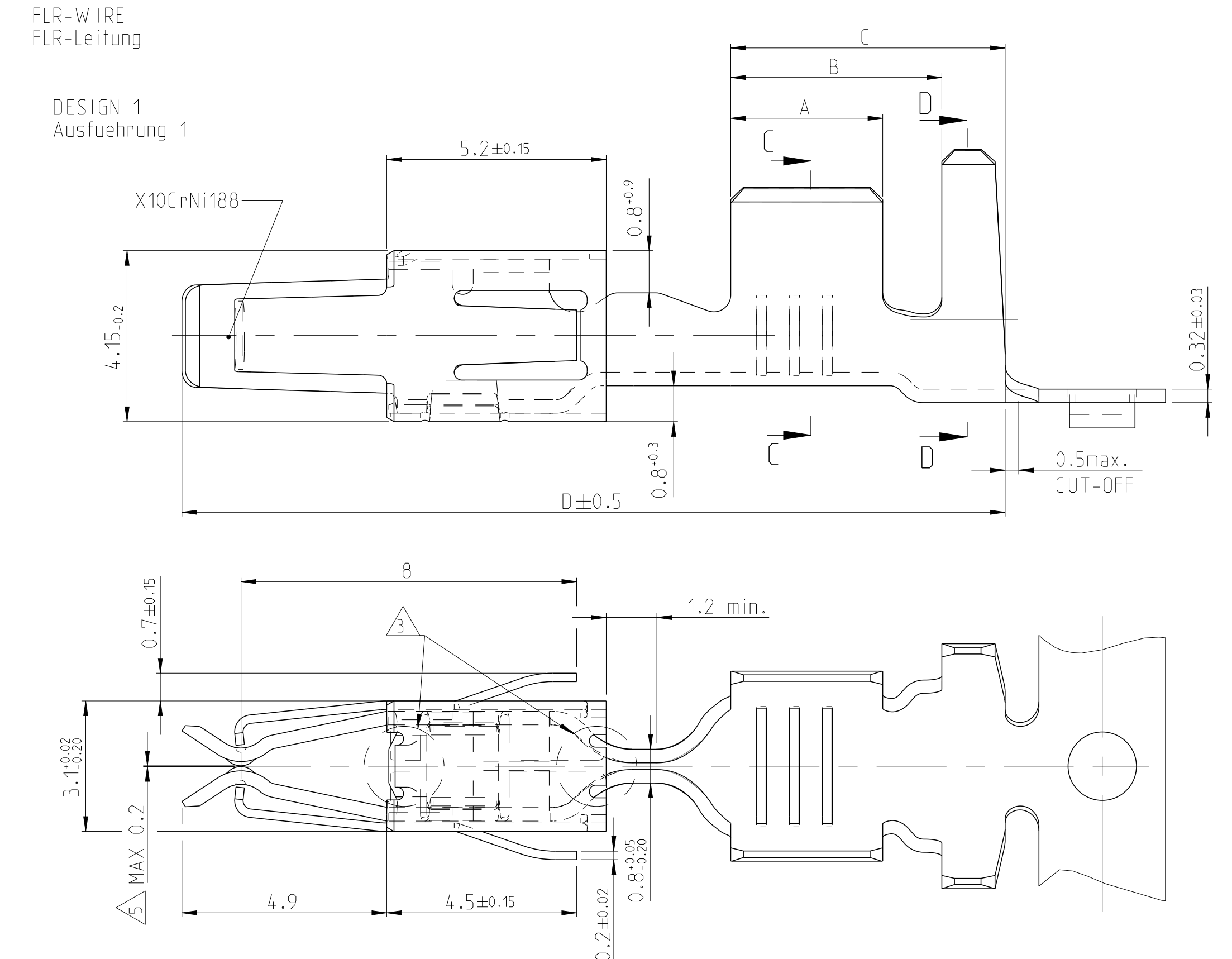
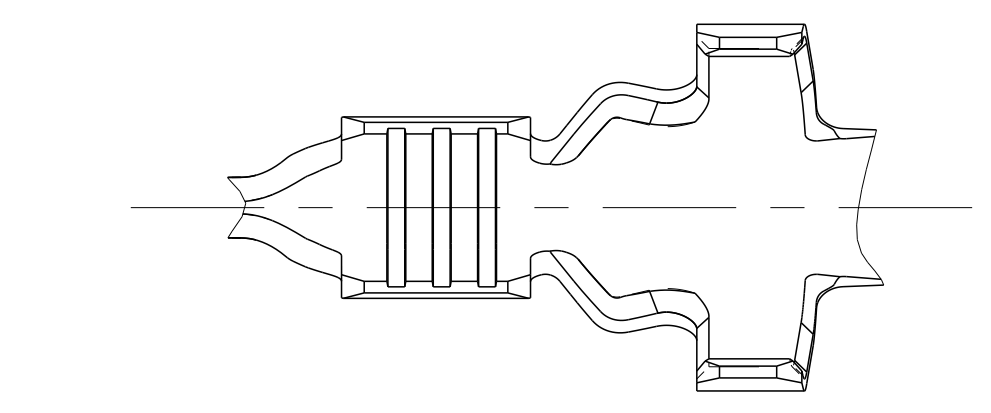
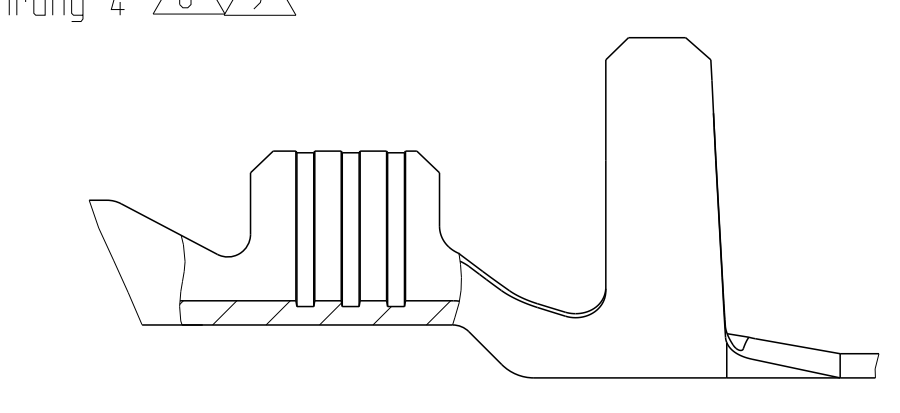


REVISIONS table with columns: #, LTN, DESCRIPTION, DATE, DW, APPD.

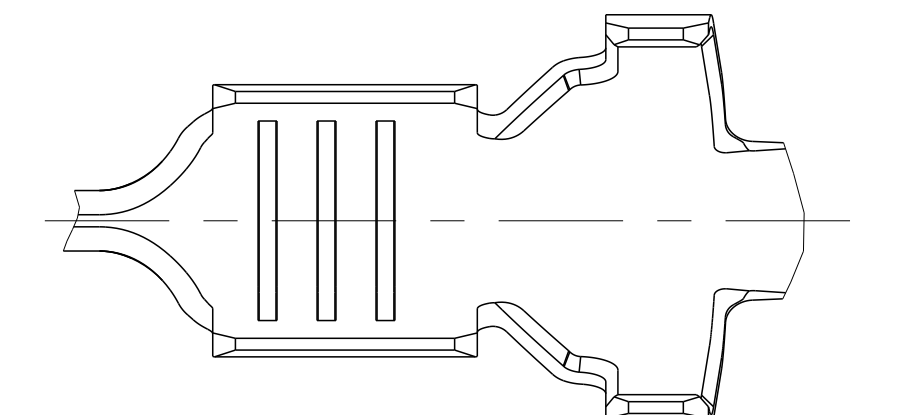
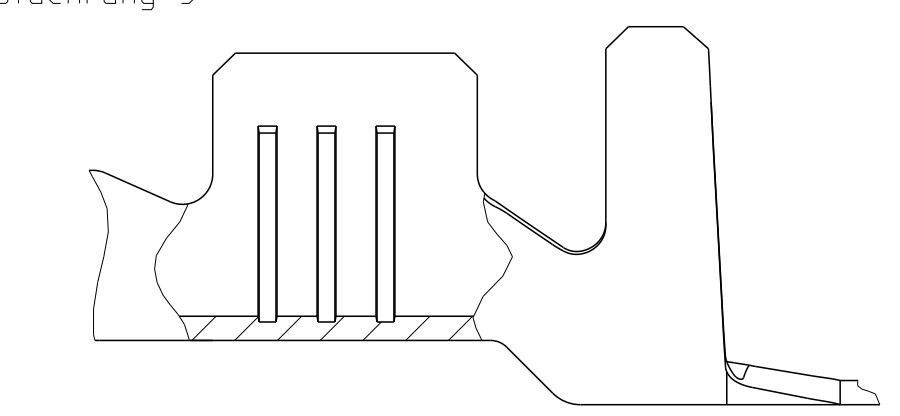


FLR- AND FLK-CABLE FLR- und FLK- Leitung

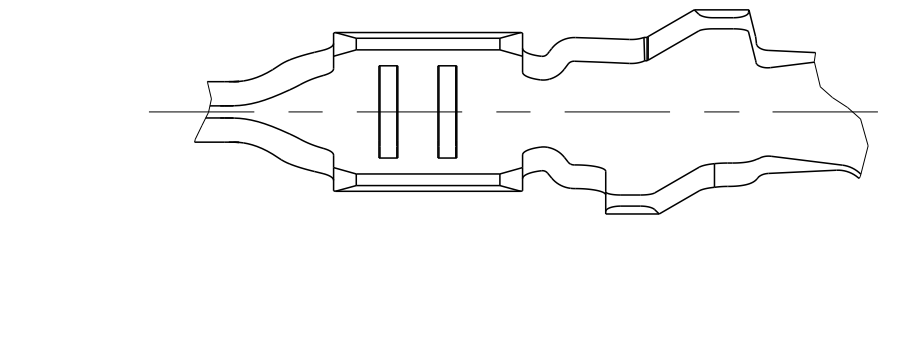
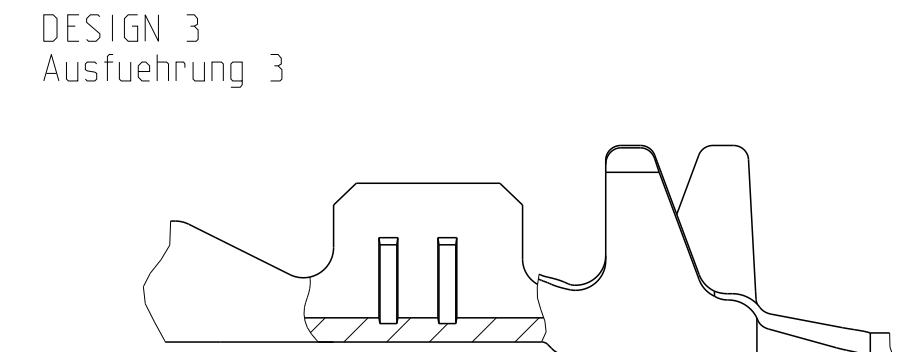
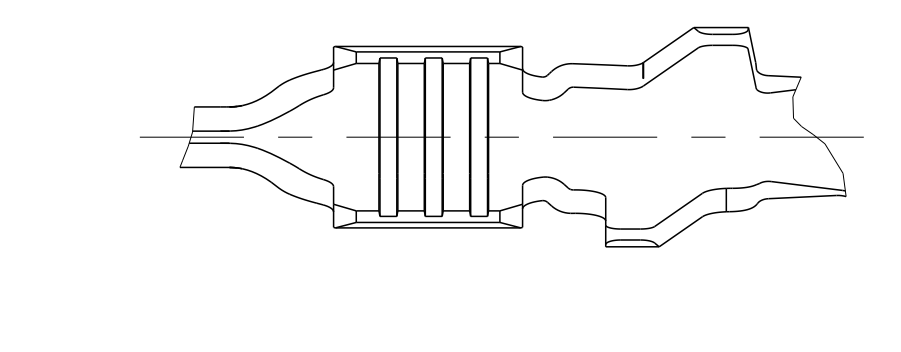
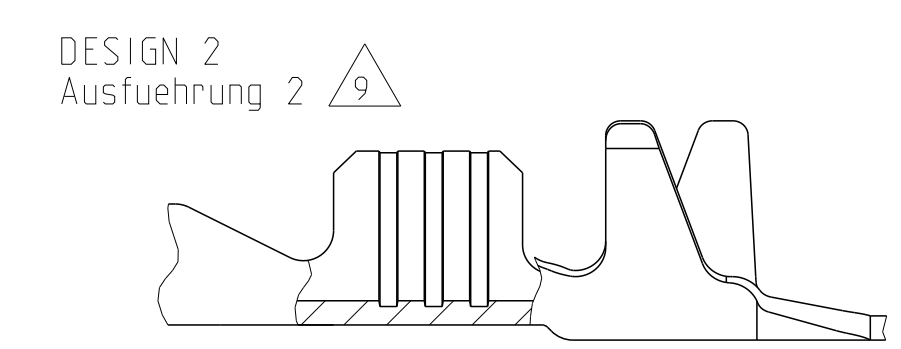
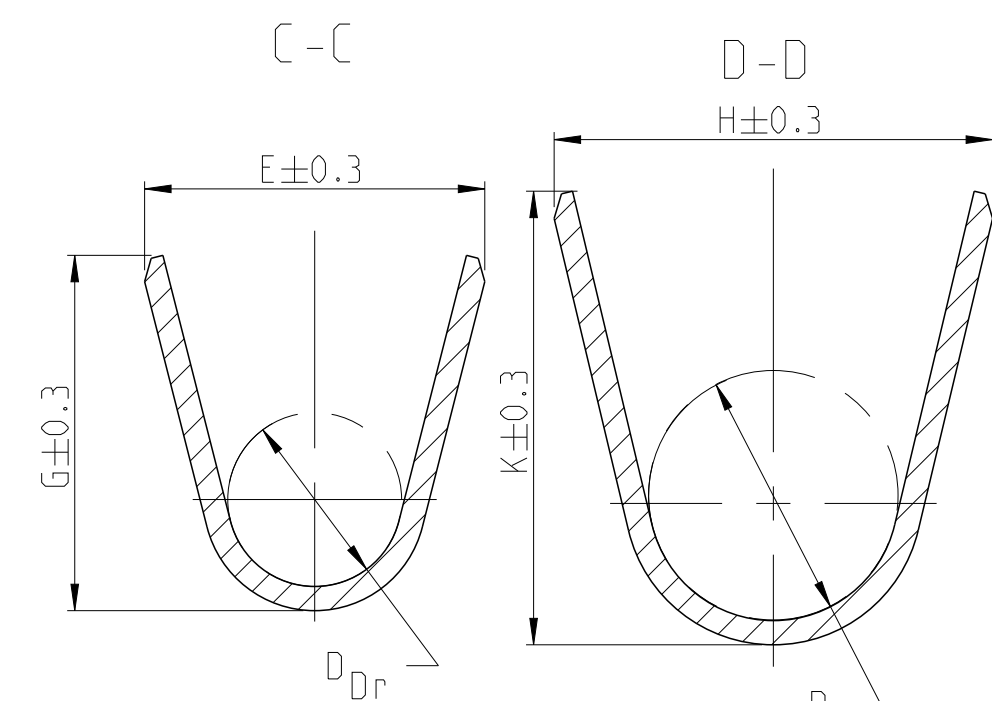
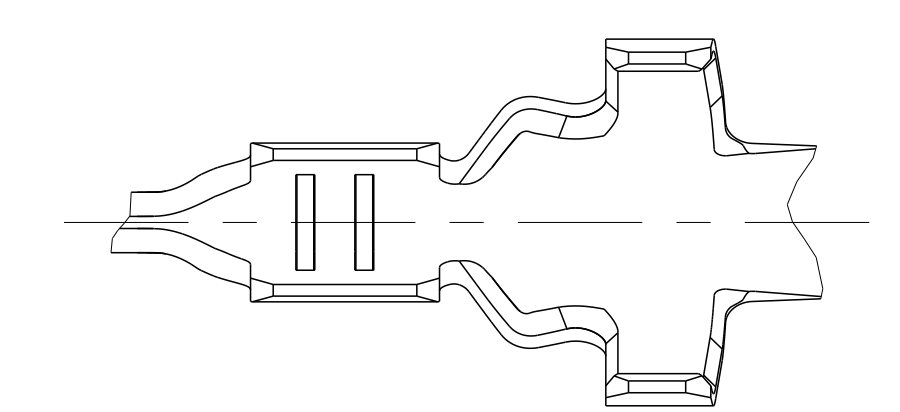
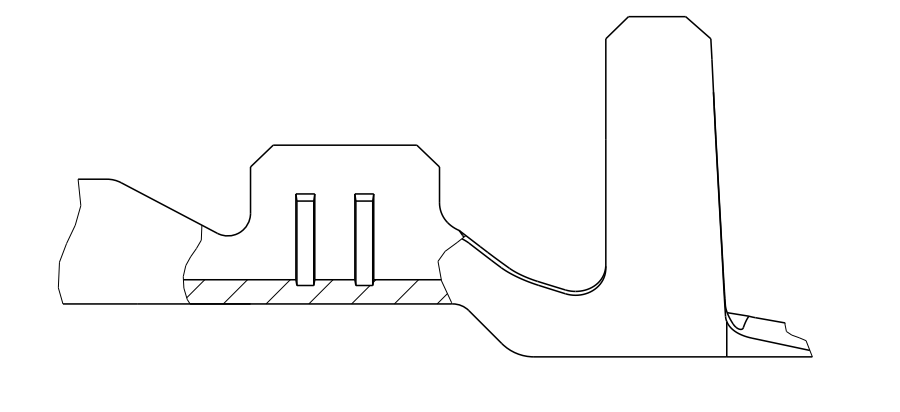
DESIGN 4 Ausfuehrung 4



DESIGN 5 Ausfuehrung 5



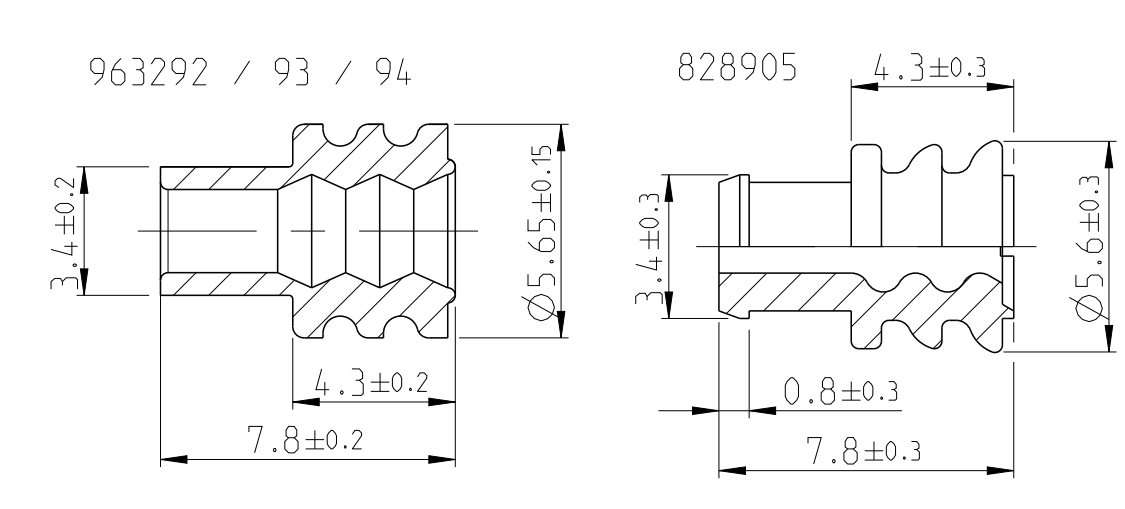
DESIGN 6 Ausfuehrung 6



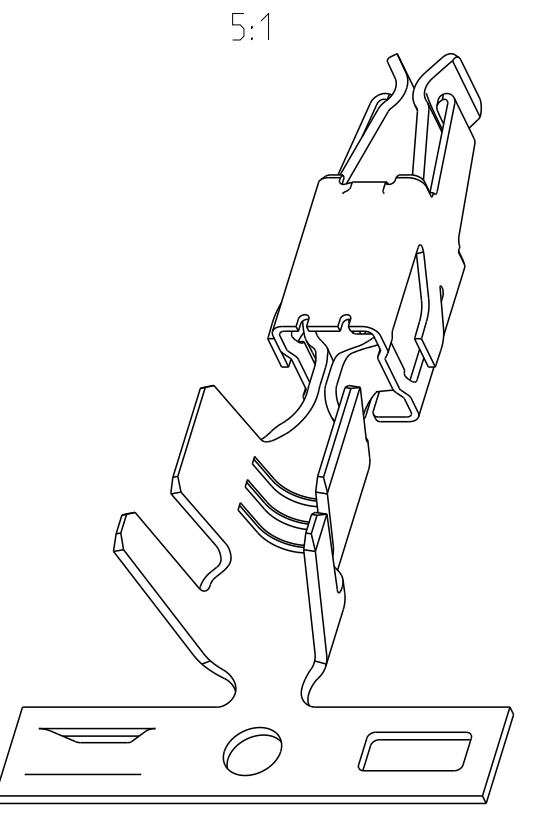
Main specification table with columns for TE ORDER NO., REV., DESIGN, MATERIAL, SURFACE, WIRE RANGE, INSULATION, STRIP FROM, WIRE CRIMP, INSUL-CRIMP, and CRIMP DATA.

SSE APPLICATION - SPECIFICATION siehe Veranlassungspezifikation 14-18050

- Technical notes including: BODY ELECTRO TIN PLATED OVER NICKEL 0.2 µm min., CONTACT AREA SELECTIVE GOLD OVER NICKEL 0.8 µm min., CUT OFF OPTIONAL, VARIANTS WITH GAP-SIZE 0.3mm, FOR EVALUATION OF THE GAP-SIZE, CONTACT BODY PRE-SILVER PLATED MIN. 0.8 µm, PUNCHED WITH VOLATILIZING STAMPING-OIL, SERRATIONS OVER THE WHOLE WIDTH OF THE CRIMP AREA.



SINGLE WIRE SEAL Einzel-Dichtung table with columns for part number, dimensions, and color/insulation.



Footer containing: THIS DRAWING IS A CONTROLLED DOCUMENT, DIMENSIONS, MATERIAL, FINISH, PRODUCT GROUP DRAWING FOR JUNIORPOWER TIMER CONTACT TYPE A, and STE logo.