

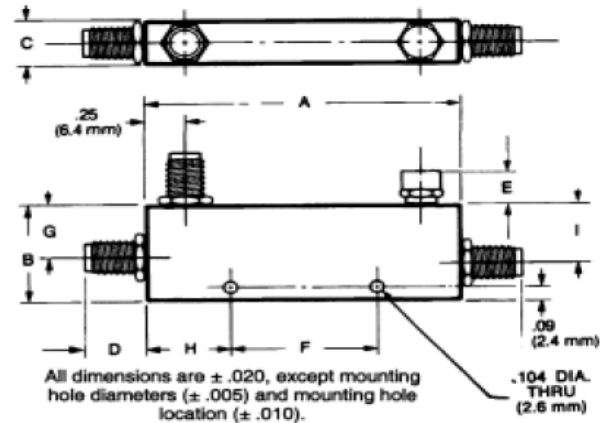
Features

- Frequency Range: 0.5 - 18 GHz
- Standard Coupling Values: 10 and 20 dB
- Temperature Range: -54°C to +125°C
- Connectors: SMA per MIL-C-39012
- Isolated Port with Non-Removable 50 Ohm Termination

Description

These compact broad band couplers operate over frequency bandwidths of 12 to 1 up to 36 to 1. Each coupler is constructed in a rugged aluminum housing with Stripline circuitry. The input, output and coupled output ports are stainless steel SMA connectors. The isolated port is terminated with a non-removable precision 50 ohm termination. Custom variations of these designs to specific requirements can also be produced.

Outline Drawing



Specifications

Part Number	Case Style	Freq. Range (GHz)	Coupling (Include. Freq. Sens.(dB)	Freq. Sens. (dB)	Insertion Loss Max (dB)	Direct. Min. (dB)	VSWR Max Prim Line	Power (Input) Avg. In. (w)	Power (Input) Avg. Ref(W)	Power (Input) Pk. (kW)
2026-6001-10	1	1.0 - 12.4	10 ± 1.0	±0.4	0.35 + 0.04fGHz	18 ¹	1.30	50	10	3
2026-6003-20	1	1.0 - 12.4	20 ± 1.0	±0.6	0.35 + 0.04fGHz	17	1.30	50	50	3
2026-6004-10	2	2.0 - 18.0	10 ± 1.0	±0.5	0.30 + 0.03fGHz	15 ²	1.35	50	10	3
2026-6006-20	2	2.0 - 18.0	20 ± 1.0	±0.5	0.30 + 0.03fGHz	18 ³	1.35	50	50	3
2026-6007-10	1	1.0 - 18.0	10 ± 1.0 ⁴	±0.5	0.30 + 0.05fGHz	15 ²	1.40	50	10	3
2026-6009-20	1	1.0 - 18.0	20 ± 1.0	±0.6	0.30 + 0.05fGHz	17 ³	1.40	50	50	3
2026-6010-10	3	0.5 - 18.0	10 ± 1.0	±1.0	0.90 + 0.03fGHz	15 ²	1.50	50	10	3
2026-6012-20	3	0.5 - 18.0	20 ± 1.0	±1.0	0.90 + 0.03fGHz	15	1.50	50	50	3

Mechanical Specifications

1. 15 dB from 8.0 to 12.4 GHz 3. 15 dB from 12.4 to 18 GHz
 2. 12 dB from 12.4 to 18 GHz 4. -1.5 to 1.0 from 0.5 to 2 GHz only

Case Style	A Inch (mm)	B Inch (mm)	C Inch (mm)	D Inch (mm)	E Inch (mm)	F Inch (mm)	G Inch (mm)	H Inch (mm)	I Inch (mm)	Weight oz	Weight g
1	3.8 (97)	0.69 (17.5)	0.38 (9.7)	0.38 (9.7)	0.25 (6.4)	2.31 (58.7)	0.39 (9.9)	0.75 (19)	0.44 (11.1)	2.0	56
2	2.0 (50.8)	0.69 (17.5)	0.38 (9.7)	0.38 (9.7)	0.25 (6.4)	0.95 (24.2)	0.38 (9.7)	0.53 (13.5)	0.42 (10.7)	1.3	37
3	4.4 (111.8)	0.73 (18.5)	0.38 (9.7)	0.38 (9.7)	0.25 (6.4)	2.90 (73.7)	0.48 (12.2)	0.75 (19)	0.48 (12.2)	2.5	71

ADVANCED: Data Sheets contain information regarding a product M/A-COM Technology Solutions is considering for development. Performance is based on target specifications, simulated results, and/or prototype measurements. Commitment to develop is not guaranteed.

PRELIMINARY: Data Sheets contain information regarding a product M/A-COM Technology Solutions has under development. Performance is based on engineering tests. Specifications are typical. Mechanical outline has been fixed. Engineering samples and/or test data may be available. Commitment to produce in volume is not guaranteed.

- **North America** Tel: 800.366.2266
- **Europe** Tel: +353.21.244.6400
- **India** Tel: +91.80.4155721
- **China** Tel: +86.21.2407.1588

Visit www.macomtech.com for additional data sheets and product information.

M/A-COM Technology Solutions Inc. and its affiliates reserve the right to make changes to the product(s) or information contained herein without notice.