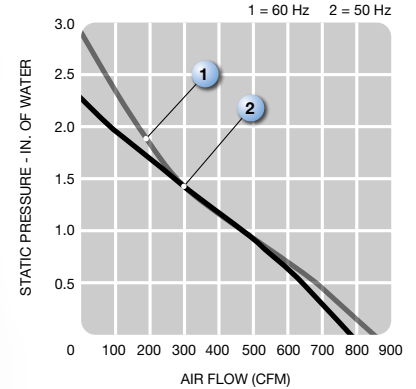
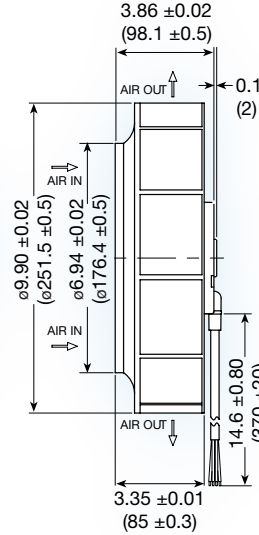
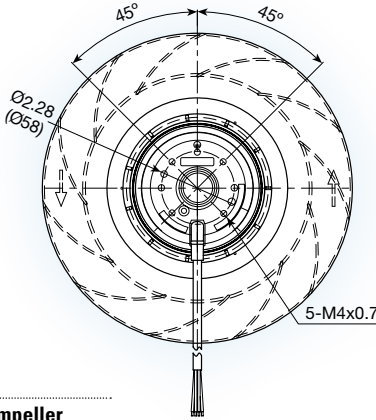


UF250APA series



(251 dia. x 98 mm)
9.90 dia. x 3.86 inches



Features: backward curved impeller

Operating voltage: 115 or 230 VAC

Operating temp. -40° ~ 50°C

Construction: aluminum die cast motor base;
UL94V-0 reinforced nylon
impeller

Bearing option: ball bearing

Motor: permanent split capacitor
required capacitor included

Air Flow: centrifugal

Connection: AWM 2517 lead wires

Protection: thermal

| Model No. | Rated Voltage V | Freq. HZ | Input Power W | Rated Cur. A | Locked Cur. A | Speed RPM | Air Volume | | Max. Static Pressure (H2O) | | Sound Noise dBa | Weight kg |
|------------------|--------------------|-------------|------------------|-----------------|------------------|--------------|----------------------|-----|----------------------------|------|--------------------|--------------|
| | | | | | | | M ³ /Min. | CFM | MM | INCH | | |
| UF250APA12-H1C2A | 115 | 50 | 170 | 1.50 | 3.10 | 2,600 | 22 | 770 | 56 | 2.2 | 75 | 3.1 |
| | 115 | 60 | 240 | 2.10 | 3.00 | 2,700 | 24 | 850 | 74 | 2.9 | 76 | 3.1 |
| UF250APA12-H1C2A | 230 | 50 | 170 | 0.77 | 1.57 | 2,600 | 22 | 770 | 56 | 2.2 | 75 | 3.1 |
| | 230 | 60 | 240 | 1.00 | 1.52 | 2,700 | 24 | 850 | 74 | 2.9 | 76 | 3.1 |

