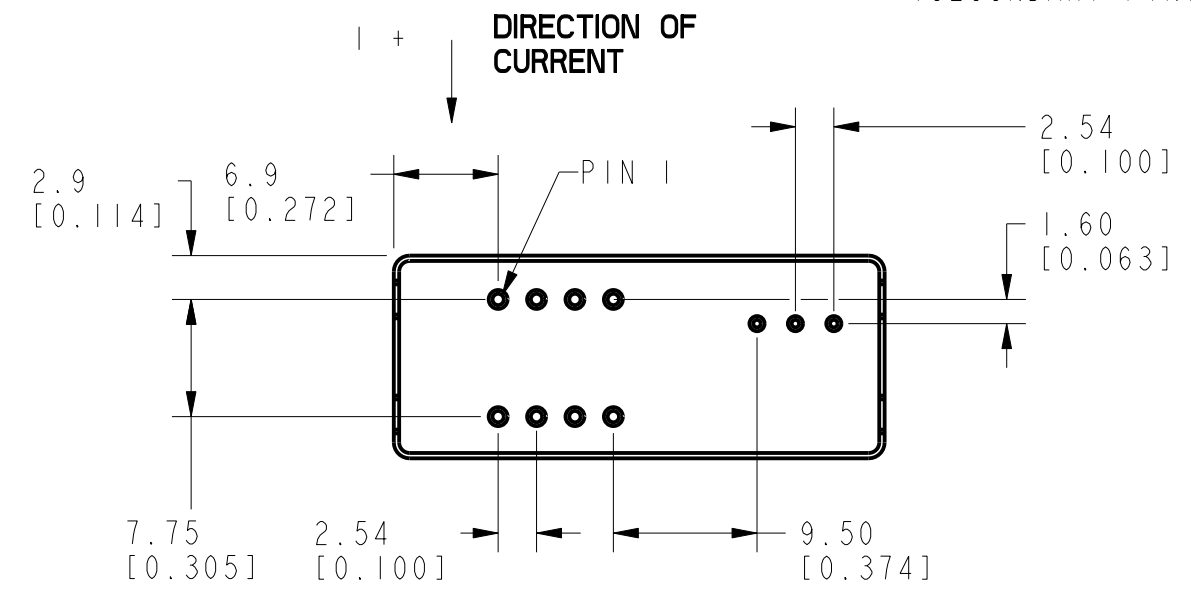
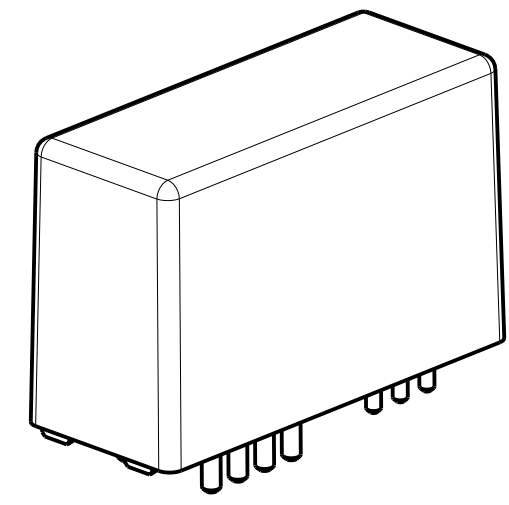
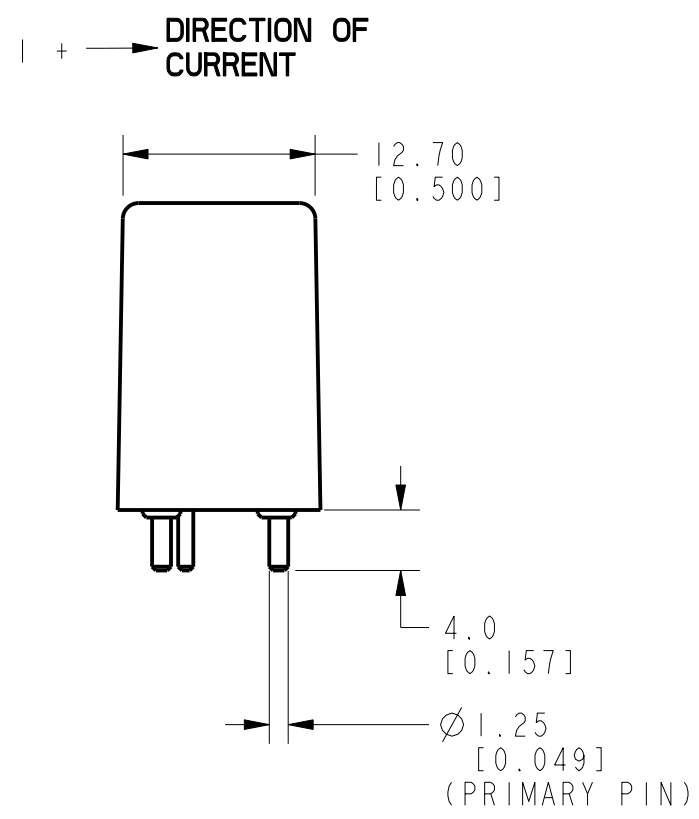
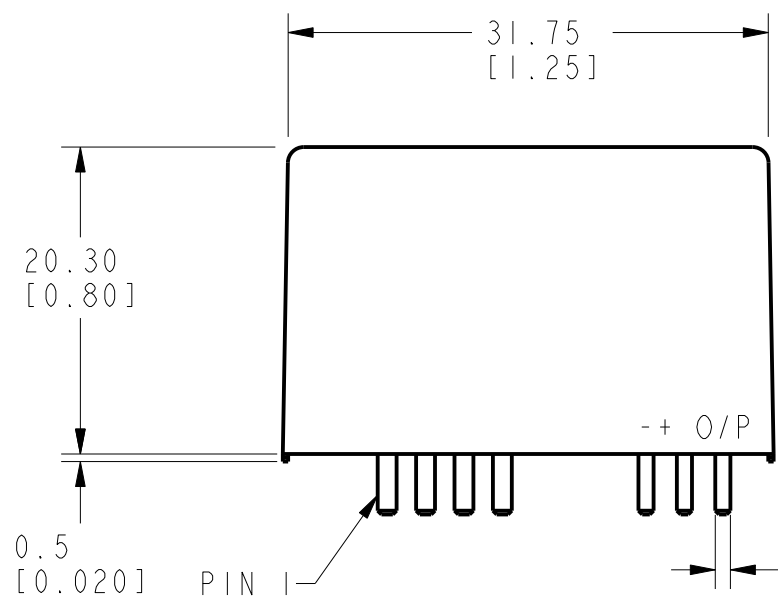
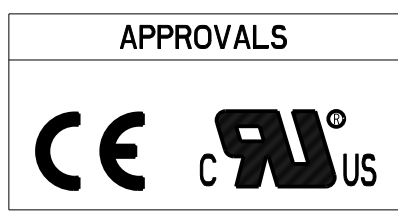


FO-55118-A 10	9	8	7	6	5	4	3	2	1	
HONEYWELL PART NUMBER CSNE151-204	SUPPLY RANGE ±15V	HOUSING MATERIAL GLASS-FILLED POLYESTER	MEASURING RANGE NOMINAL 25A 90A (SEE NOTE 3)	OUTPUT NOMINAL 12.5mA	MAXIMUM COIL RESISTANCE AT 70°C 190Ω	NUMBER OF TURNS 2000±1	REV A	CHANGE DOCUMENT 0010608	CHANGED BY DVM 24JAN05	CHECK AK



PRIMARY TURNS	PRIMARY CURRENT NOM. I _{pn} (A)	NOM. OUTPUT CURRENT (mA) I _s	PIN CONNECTIONS
1	25	12.5	
2	12	12	
3	8	12	
4	6	12	



- NOTES:
1. MOUNTING HOLES - PRIMARY PINS $\varnothing 1.45\text{MM}$ (0.057) MIN.
 2. MOUNTING HOLES - SECONDARY PINS $\varnothing 1.20\text{MM}$ (0.047) MIN.
 3. MAX. MEASURING RANGE FOR LIMITED DURATION.

DESIGN UNITS: MM TOLERANCES UNLESS NOTED: NO PLACE X ± 0.400 ONE PLACE .X ± 0.2 TWO PLACE .XX ± 0.10 THREE PLACE .XXX ± 0.005 FOUR PLACE .XXXX ± 0.0050 ANGLES X ± 0	DRAWN DVM 24 JAN 05 CHECK AK 24 JAN 05	Honeywell	
THIRD ANGLE PROJECTION 	THIS DRAWING COVERS A PROPRIETARY ITEM AND IS THE PROPERTY OF HONEYWELL. THIS DRAWING IS NOT TO BE COPIED OR USED WITHOUT THE PERMISSION OF HONEYWELL.		TITLE CSN SERIES-
	INTERPRET PER ASME Y14.5M-1994 OTHER HONEYWELL ENGINEERING STANDARDS MAY APPLY	SIZE A3	TYPE I
	Pro/ENGINEER 3D	SCALE 2:1	DRAWING NAME CSNE151-204 REV A
		SHEET 1 OF 1	