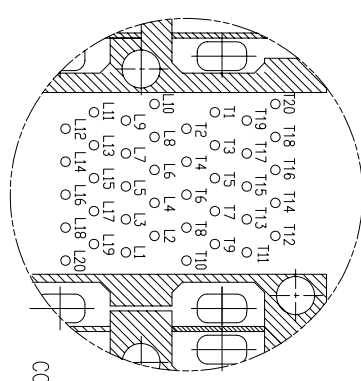
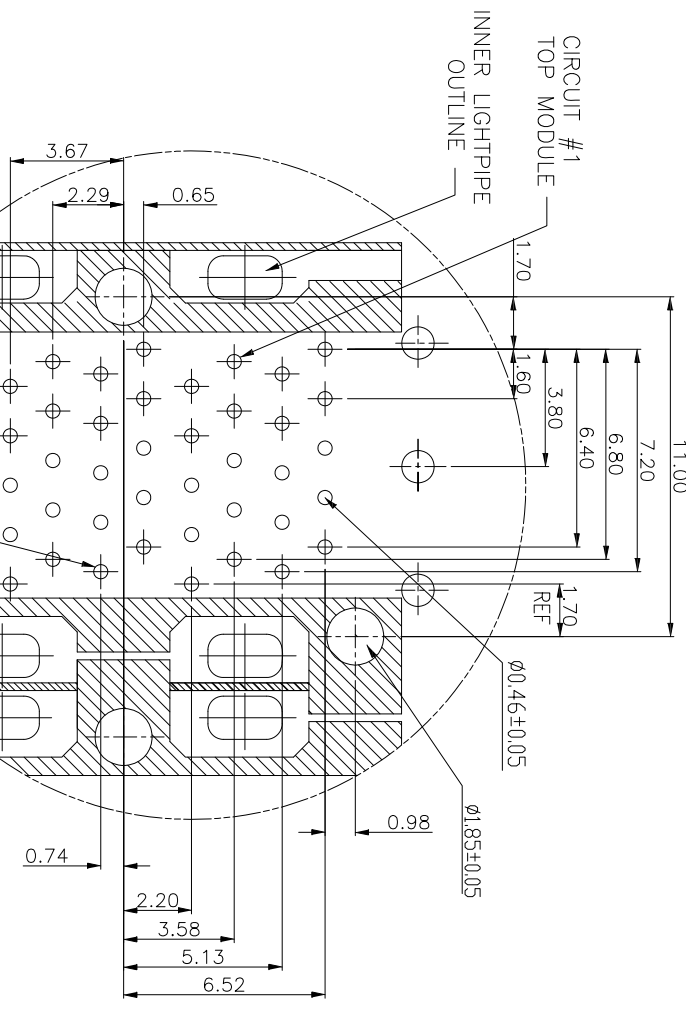
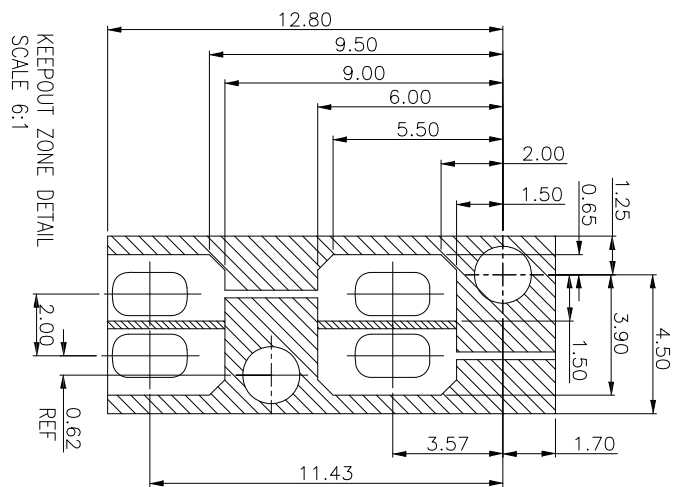


APPROVED: \_\_\_\_\_

DATE: \_\_\_\_\_ TITLE: \_\_\_\_\_

Rev	AWO #	Description	Date	Appr
		SEE SHT 1 OF 4 FOR REVISION		



CONNECTOR PIN-OUT  
COMPONENT SIDE OF BOARD

OUTER LIGHTPIPE  
CIRCUIT #1  
BOTTOM MODULE  
DETAIL A  
SCALE 6:1

UNLESS OTHERWISE SPECIFIED ALL DIMENSIONS ARE MM	
TOLERANCES: EXCEPT AS NOTED	
INCHES	HOLES
.X ± .10	ØXX ± .10
.XX ± .020	ØXXX ± .015
.XXX ± .015	ØXXXX ± .010
APPROVALS	DATE
DRAWN	DY
CHECKED	
APPROVED	

**ADAM TECH**  
 909 Rahway Avenue, Union, NJ 07083  
 Phone: 908-687-5000 Fax: 908-687-5710

TITLE  
**SFP 2X6, W/ INNER LIGHT PIPE PORTS**

SIZE	PART NO.	REV.
X	SFCJ-12-LP1	-
REF: S0008C	SCALE: NTS	SHEET 4 OF 4