

PLEASE CHECK WWW.MOLEX.COM FOR LATEST PART INFORMATION

Part Number: [0510480300](#)
Status: **Active**
Description: 2.00mm (.079") Pitch Cable Holder, Vertical, Low Profile, for Ribbon Cable, 3 Circuits

Documents:

[3D Model](#) [Product Specification PS-51048-001 \(PDF\)](#)
[Drawing \(PDF\)](#) [RoHS Certificate of Compliance \(PDF\)](#)

General

Product Family Ribbon Cable / Wire Trap Connectors
 Series [51048](#)
 Component Type One Piece
 Glow-Wire Compliant No
 Product Name Board-In, Cable Holder

Physical

Circuits (Loaded) 3
 Circuits (maximum) 3
 Color - Resin Natural
 Entry Angle Vertical
 Lock to Mating Part None
 Material - Resin Nylon
 Number of Rows 1
 PCB Locator Yes
 PCB Retention Yes
 PCB Thickness Recommended (in) 0.062 In
 PCB Thickness Recommended (mm) 1.60 mm
 Packaging Type Bag
 Pitch - Mating Interface (in) 0.079 In
 Pitch - Mating Interface (mm) 2.00 mm
 Pitch - Term. Interface (in) 0.079 In
 Pitch - Term. Interface (mm) 2.00 mm
 Polarized to Mating Part No
 Polarized to PCB No
 Shrouded Fully
 Stackable No
 Surface Mount Compatible (SMC) No
 Temperature Range - Operating -40°C to +105°C
 Wire Insulation Diameter 1.60mm (.063") max.
 Wire Size AWG 26
 Wire/Cable Type Ribbon Cable

Electrical

Current - Maximum per Contact N/A
 Voltage - Maximum N/A

Material Info

Reference - Drawing Numbers

[Packaging Specification](#) SPK-51048-001
[Product Specification](#) PS-51048-001
[Sales Drawing](#) SD-51048-001

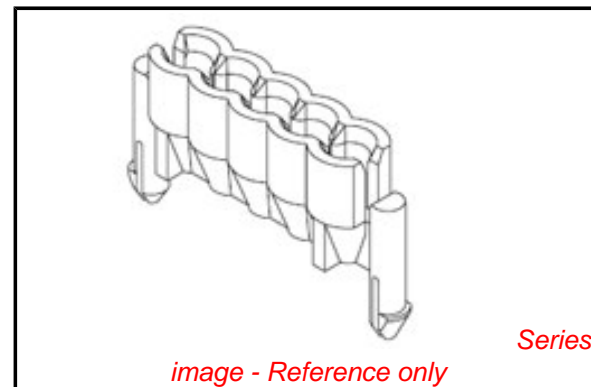


image - Reference only

EU RoHS

**ELV and RoHS
 Compliant**
**REACH SVHC
 Contains SVHC: No**
**Halogen-Free
 Status
 Not Reviewed**

China RoHS



**Need more information on product
 environmental compliance?**

Email productcompliance@molex.com
 For a multiple part number RoHS Certificate of
 Compliance, [click here](#)

Please visit the [Contact Us](#) section for any
 non-product compliance questions.

Search Parts in this Series

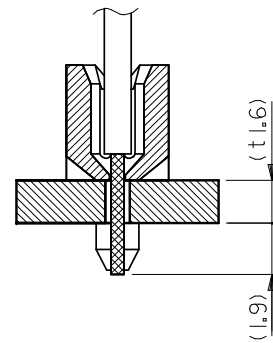
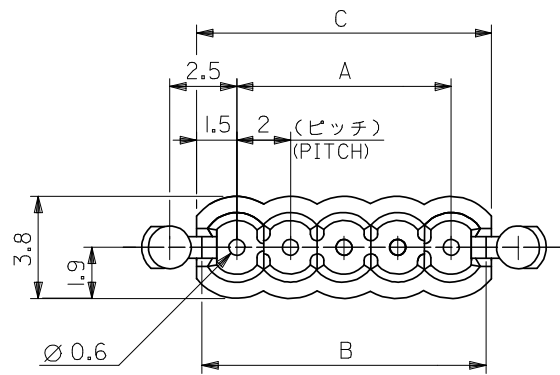
[51048Series](#)

Mates With

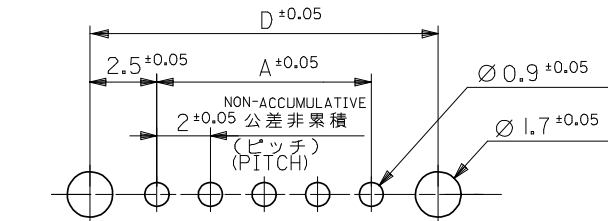
N/A

Use With

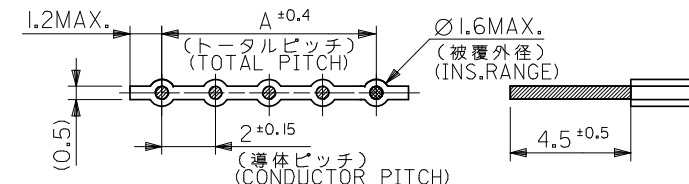
Topcoated ribbon cable



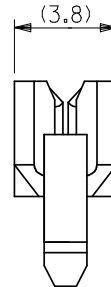
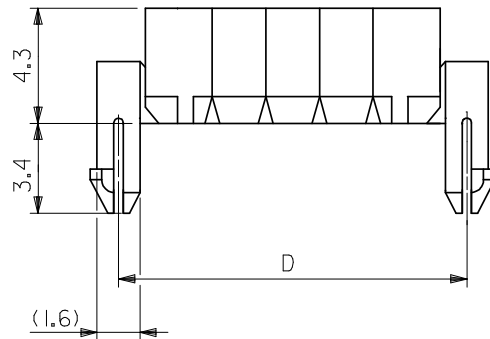
電線挿入図
SECT.(CABLE ASS'Y)



基板取付穴推奨寸法
RECOMMENDED P.C.BOARD HOLE DIM.
($t=1.6 \pm 0.05$)



適合電線推奨寸法
RECOMMENDED WIRE DIM.



注記
NOTES

- 材料: ナイロン66、UL94V-2
MATERIAL: NYLON66, UL94V-2
- 適合電線: 2mmピッチリボンケーブル
AWG#26錫コート平行線
APPLICABLE WIRE: 2mm PITCH
RIBBON CABLE WIRE
AWG#26, TOP COATED WIRE

37	35	34.6	32	VO	51048-1700-	17
35	33	32.6	30	VO	1600-	16
33	31	30.6	28	VO	1500-	15
31	29	28.6	26	VO	1400-	14
29	27	26.6	24	VO	1300-	13
27	25	24.6	22	VO	1200-	12
25	23	22.6	20	VO	1100-	11
23	21	20.6	18	VO	1000-	10
21	19	18.6	16	VO	0900-	9
19	17	16.6	14	VO	0800-	8
17	15	14.6	12	VO	0700-	7
15	13	12.6	10	VO	0600-	6
13	11	10.6	8	VO	0500-	5
11	9	8.6	6	VO	0400-	4
9	7	6.6	4		-0300	3
7	5	4.6	2	VO	51048-0200-	2
D	C	B	A		ENG. NO.	極数 CKTS.

REVISED EC NO: J2008-1332 DRW: NAKAMURAA 2008/03/31 CHKD: T. HIRUYAMA 2008/04/22 APPR: NUKITA 2008/04/22	GENERAL TOLERANCES (UNLESS SPECIFIED)		DIMENSION STYLE MM ONLY	SCALE 5:1	DESIGN UNITS METRIC	THIRD ANGLE PROJECTION
	10 UNDER	±0.2	DRAWN BY T. ITOH	TITLE 2.0 CABLE HOLDER (FOR 4.5 STRIP LENGTH)		
	10 OVER 30 UNDER	±0.25	CHECKED BY M. FUKUSHIMA	DATE '92/02/27		
	30 OVER	±0.3	APPROVED BY M. ENOMOTO	DATE '92/02/27		
	ANGULAR	±3	MATERIAL NO.	DOCUMENT NO.		
DRAFT WHERE APPLICABLE MUST REMAIN WITHIN DIMENSIONS		SEE TABLE		SD-51048-001		SHEET NO. 1 OF 1
THIS DRAWING CONTAINS INFORMATION THAT IS PROPRIETARY TO MOLEX INCORPORATED AND SHOULD NOT BE USED WITHOUT WRITTEN PERMISSION						