

Spezifikation für Freigabe / specification for release

Kunde / customer :

Artikelnummer / part number :

749052050

Bezeichnung :

LAN-Übertrager WE-LAN 10G

description :

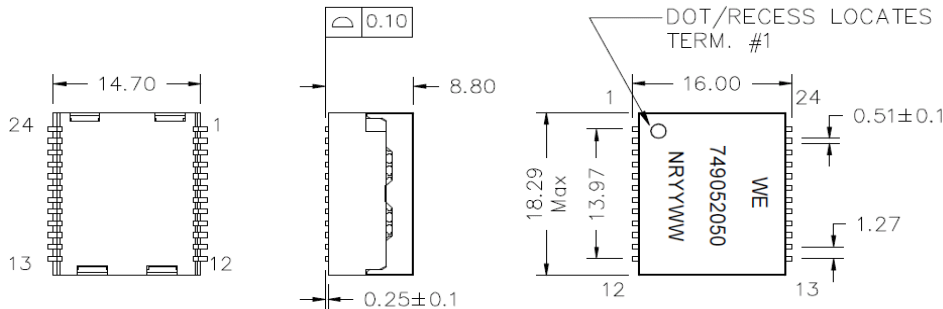
LAN-Transformer WE-LAN 10G



DATUM / DATE : 2015-08-25

A Mechanische Abmessungen / dimensions :

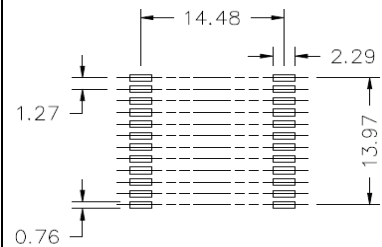
10G BaseT 4PPoE



B Elektrische Eigenschaften / electrical properties :

Eigenschaften / properties	Testbedingungen / test conditions		Wert / value	Einheit / unit	tol.
Induktivität / Inductance	100kHz / 100mV @ 32mA DC-Bias	OCL	180	µH	min.
Übersetzungsverhältnis / Turns ratio	100kHz / 100mV	TR	1:1		±2%
Insertion Loss	100kHz-1MHz	IL	-3,0	dB	max.
	1MHz-250MHz		-1,0		
	250MHz-500MHz		-2,5		
Return Loss	1-40MHz	RL	-20,0	dB	min.
	100MHz		-16,0		
	200MHz		-13,0		
	250MHz		-11,2		
	400MHz		-10,0		
Common to Differential Mode Rejection	1MHz-100MHz	CDMR	-35,0	dB	min.
	100MHz-300MHz		-30,0		
	300MHz-500MHz		-22,0		
	1MHz-100MHz		-35,0		
Common to Common Mode Rejection	100MHz-250MHz	CMRR	-30,0	dB	min.
	250MHz-500MHz		-25,0		
	1MHz-100MHz		-40,0		
Crosstalk	100MHz-500MHz	CT	-30,0	dB	min.

C Lötpad / soldering spec. :



D Prüfgeräte / test equipment :

Agilent E5071C

E Testbedingungen / test conditions :

Luftfeuchtigkeit / Humidity: 33%
Umgebungstemperatur / Temperature: +25°C

F Werkstoffe & Zulassungen / material & approvals :

Basismaterial / Base material: Ferrit / Ferrite
Draht / Wire: 0UEW/Y 180
Kontaktmaterial / Contact plating: Cu-Ni-Sn
Gehäuse / Case: UL94V-0
Verguss / Potting: UL94V-0

G Eigenschaften / general specifications :

Betriebstemp. / operating temperature: 0°C - + 70°C
Hochspannungsprüfung / Hipot test: 1500Vrms 1min.
Feuchteempfindlichkeit: MSL 1 / Humidity class: MSL 1

Freigabe erteilt / general release:

Kunde / customer			
.....	JaB	Revision 05
.....	Mle	Revision 04
Datum / date	Unterschrift / signature	MLe	Revision 03
.....	JLiu	Revision 02
.....	JaB	Revision 01
.....	JLiu	Revision 00
Geprüft / checked	Kontrolliert / approved	Name	Änderung / modification
			Datum / date

Würth Elektronik eiSos GmbH & Co.KG

D-74638 Waldenburg · Max-Eyth-Straße 1 - 3 · Germany · Telefon (+49) (0) 7942 - 945 - 0 · Telefax (+49) (0) 7942 - 945 - 400
http://www.we-online.com

Spezifikation für Freigabe / specification for release

Kunde / customer :
 Artikelnummer / part number : **749052050**
 Bezeichnung : **LAN-Übertrager WE-LAN 10G**
 description : **LAN-Transformer WE-LAN 10G**



DATUM / DATE : 2015-08-25

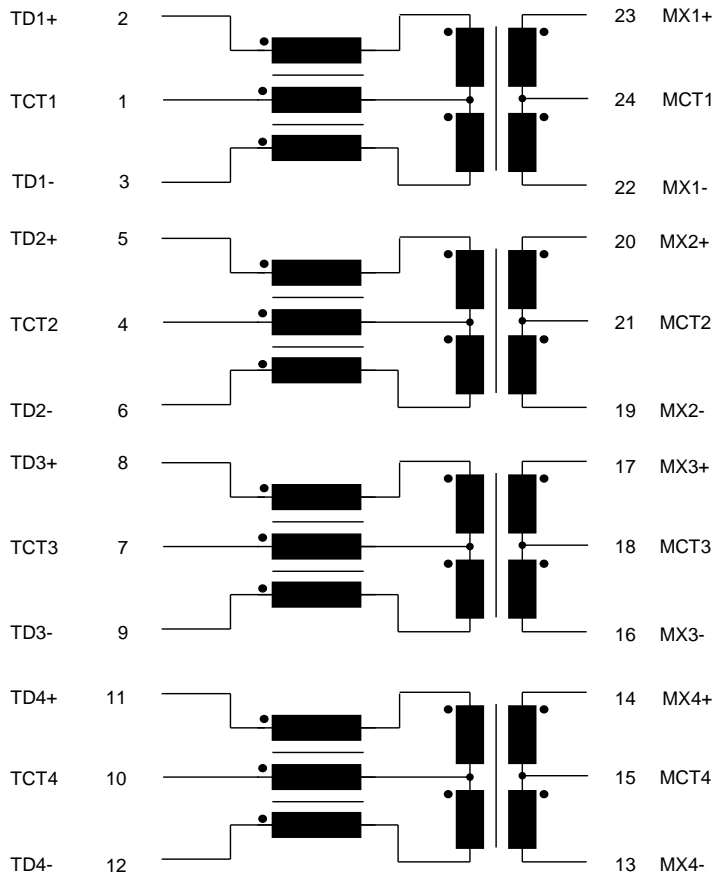
H PoE Eigenschaften :

Designed für Applikationen bis 50W @57VDC
 wenn zwei Kanäle bestromt
 Designed für Applikationen bis 100W @57VDC
 wenn alle vier Kanäle bestromt

H PoE Specifications :

Designed to support applications up to 50W @57VDC
 when using two channels
 Designed to support applications up to 100W @57VDC
 when using four channels

I Schaltbild / Schematics :



Freigabe erteilt / general release:	Kunde / customer			
	JaB	Revision 05
Datum / date	Unterschrift / signature	MLe	Revision 04	2015-10-15
	Würth Elektronik	MLe	Revision 03	2015-08-25
	JLiu	Revision 02	2015-05-13
Geprüft / checked	Kontrolliert / approved	JaB	Revision 01	2015-04-28
		JLiu	Revision 00	2015-02-13
		Name	Änderung / modification	Datum / date

This electronic component has been designed and developed for usage in general electronic equipment. Before incorporating this component into any equipment where higher safety and reliability is especially required or if there is the possibility of direct damage or injury to human body, for example in the range of aerospace, aviation, nuclear control, submarine, transportation, (automotive control, train control, ship control), transportation signal, disaster prevention, medical, public information network etc, Würth Elektronik eiSos GmbH must be informed before the design-in stage. In addition, sufficient reliability evaluation checks for safety must be performed on every electronic component which is used in electrical circuits that require high safety and reliability functions or performance.

Würth Elektronik eiSos GmbH & Co.KG

D-74638 Waldenburg · Max-Eyth-Straße 1 - 3 · Germany · Telefon (+49) (0) 7942 - 945 - 0 · Telefax (+49) (0) 7942 - 945 - 400
<http://www.we-online.com>

Spezifikation für Freigabe / specification for release

Kunde / customer :
 Artikelnummer / part number : **749052050**
 Bezeichnung : **LAN-Übertrager WE-LAN 10G**
 description : **LAN-Transformer WE-LAN 10G**

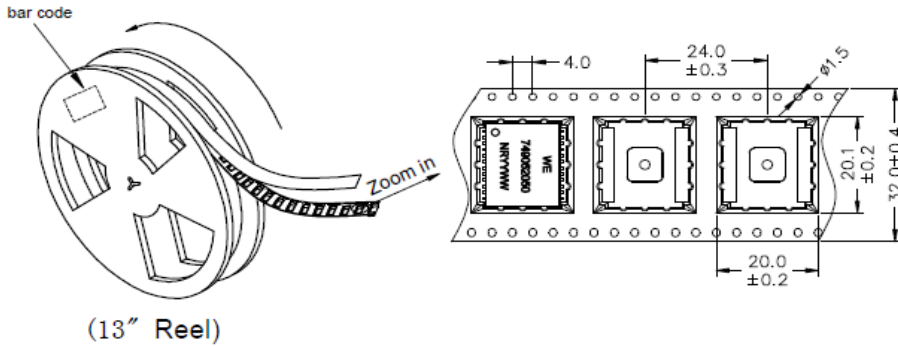


DATUM / DATE : 2015-08-25

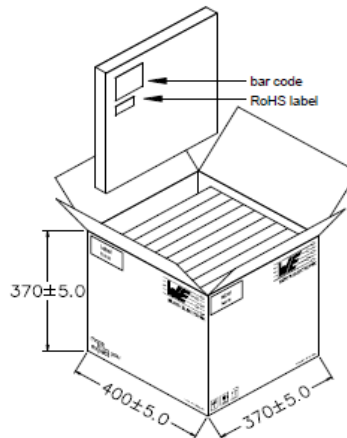
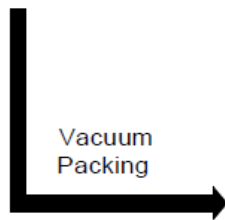
J Rollenspezifikation / tape and reel specification :

Gurtspezifikation / Tape specification:

PACKAGING(Tape & Reel)



(13" Reel)



Outside Carton

PACKING QUANTITY:

290 pcs Finished Goods / Reel

8pcs Reel (2320 pcs Finished Goods) / Carton

Freigabe erteilt / general release:	Kunde / customer			
..... Datum / date Unterschrift / signature	JaB	Revision 05	2015-10-15
	Würth Elektronik	Mle	Revision 04	2015-08-25
..... Geprüft / checked Kontrolliert / approved	MLe	Revision 03	2015-05-13
		JLiu	Revision 02	2015-04-28
		JaB	Revision 01	2015-02-13
		JLiu	Revision 00	2014-10-17
		Name	Änderung / modification	Datum / date

This electronic component has been designed and developed for usage in general electronic equipment. Before incorporating this component into any equipment where higher safety and reliability is especially required or if there is the possibility of direct damage or injury to human body, for example in the range of aerospace, aviation, nuclear control, submarine, transportation, (automotive control, train control, ship control), transportation signal, disaster prevention, medical, public information network etc. Würth Elektronik eiSos GmbH must be informed before the design-in stage. In addition, sufficient reliability evaluation checks for safety must be performed on every electronic component which is used in electrical circuits that require high safety and reliability functions or performance.

Würth Elektronik eiSos GmbH & Co.KG

D-74638 Waldenburg · Max-Eyth-Straße 1 - 3 · Germany · Telefon (+49) (0) 7942 - 945 - 0 · Telefax (+49) (0) 7942 - 945 - 400
<http://www.we-online.com>