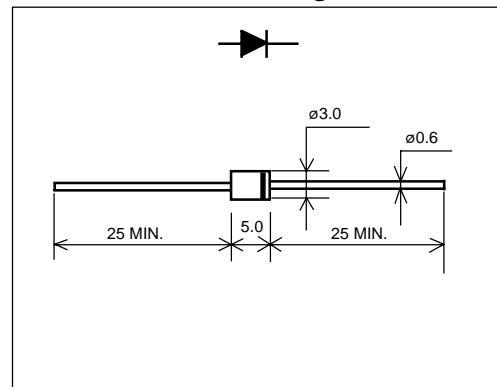


## SCHOTTKY BARRIER DIODE

### Outline drawings, mm



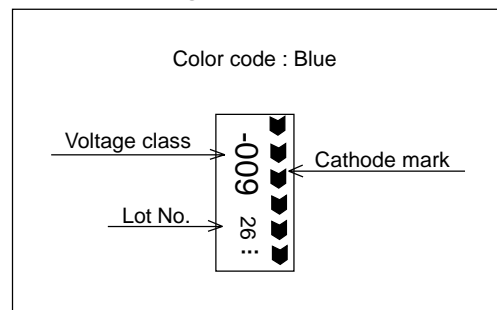
### Features

- Low  $V_F$
- Super high speed switching
- High reliability by planer design

### Applications

- High speed switching

### Marking



### Maximum ratings and characteristics

- Absolute maximum ratings

| Item                            | Symbol      | Conditions                                      | Rating      | Unit             |
|---------------------------------|-------------|---|-------------|------------------|
| Repetitive peak reverse voltage | $V_{RRM}$   |   | 90          | V                |
| Average forward current         | $I_{F(AV)}$ | Square wave, duty=1/2<br>$T_a=25^\circ\text{C}$ | 1.0*        | A                |
| Surge current                   | $I_{FSM}$   | Sine wave<br>10ms                               | 30          | A                |
| Operating junction temperature  | $T_j$       |   | -40 to +150 | $^\circ\text{C}$ |
| Storage temperature             | $T_{stg}$   |   | -40 to +150 | $^\circ\text{C}$ |

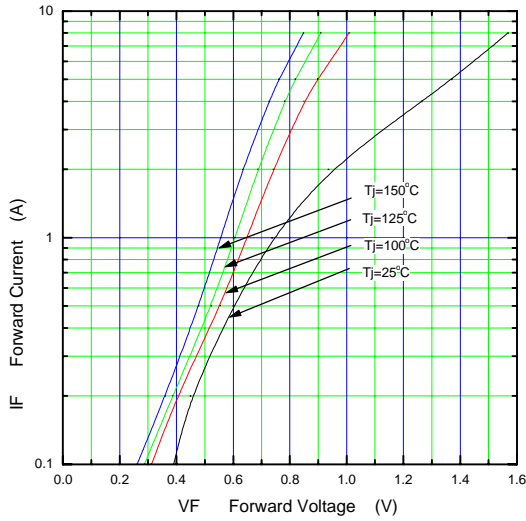
\*:P.C board mounting (land 10x10mm)

- Electrical characteristics ( $T_a=25^\circ\text{C}$  Unless otherwise specified)

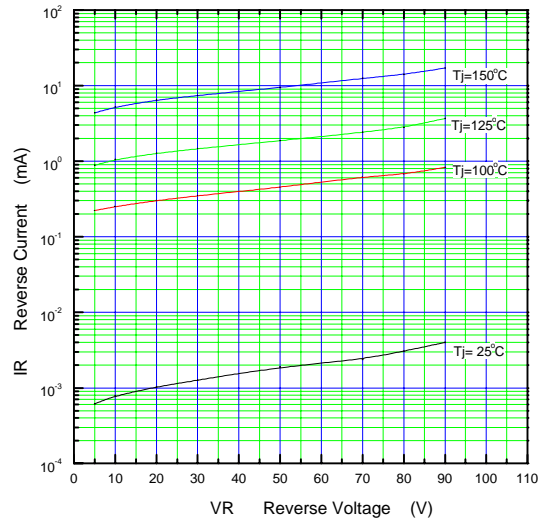
| Item                 | Symbol    | Conditions           | Max. | Unit |
|----------------------|-----------|----------------------|------|------|
| Forward voltage drop | $V_{FM}$  | $I_{FM}=1.0\text{A}$ | 0.9  | V    |
| Reverse current      | $I_{RRM}$ | $V_R=V_{RRM}$        | 1.0  | mA   |

■ Characteristics

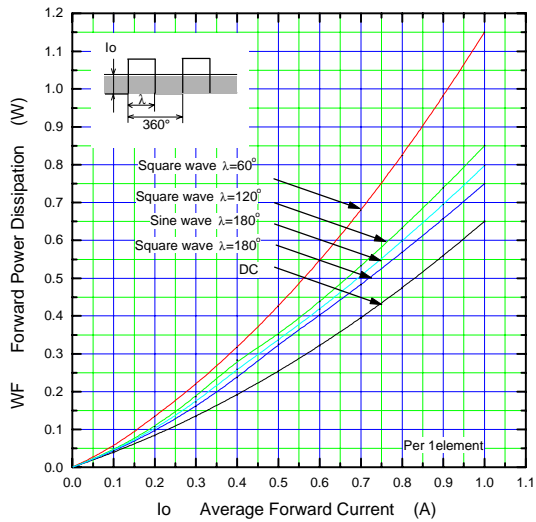
Forward Characteristic (typ.)



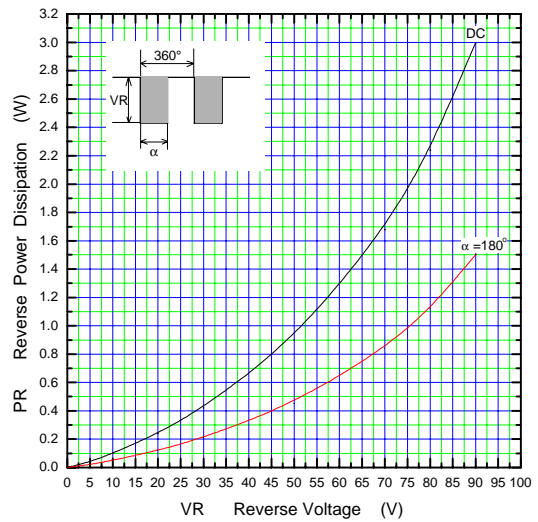
Reverse Characteristic (typ.)



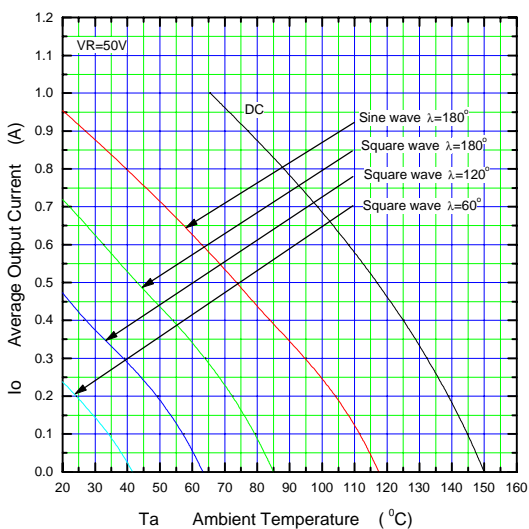
Forward Power Dissipation



Reverse Power Dissipation



Current Derating (Io-Ta)



Current Derating (Io-Tl)

