

General Description

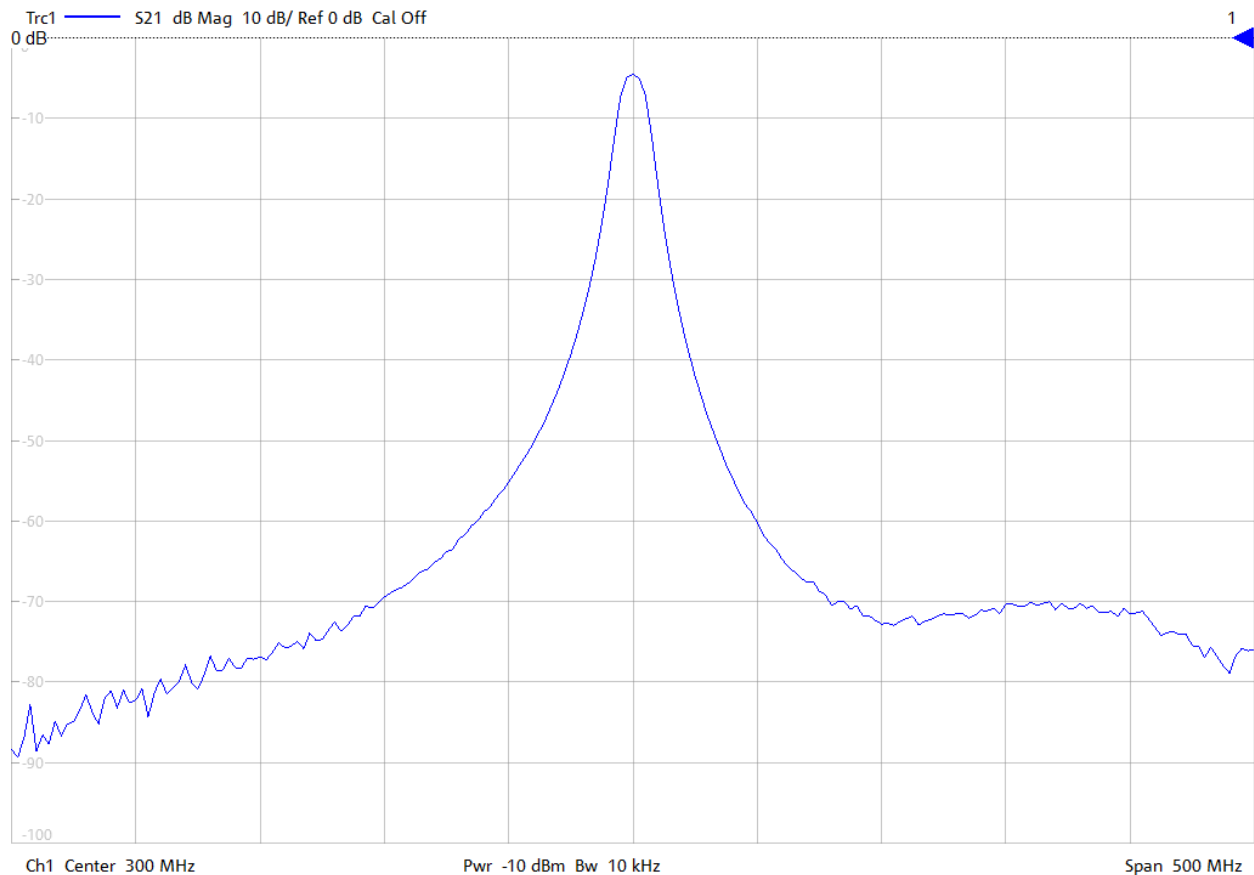
KR Electronics part number 3302 is a 300 MHz bandpass filter. The filter has a 3 dB bandwidth of 10 MHz. Other frequencies are available. Please consult the factory.

Features

- 300 MHz Bandpass Filter
- 3 dB Bandwidth 10 MHz \pm 1 MHz
- 40 dB Bandwidth 59 MHz typical
- 50 Ω Source and Load
- Surface Mount
- SMA Connectors Available

Typical Performance

Overall Response
(10 dB/div)

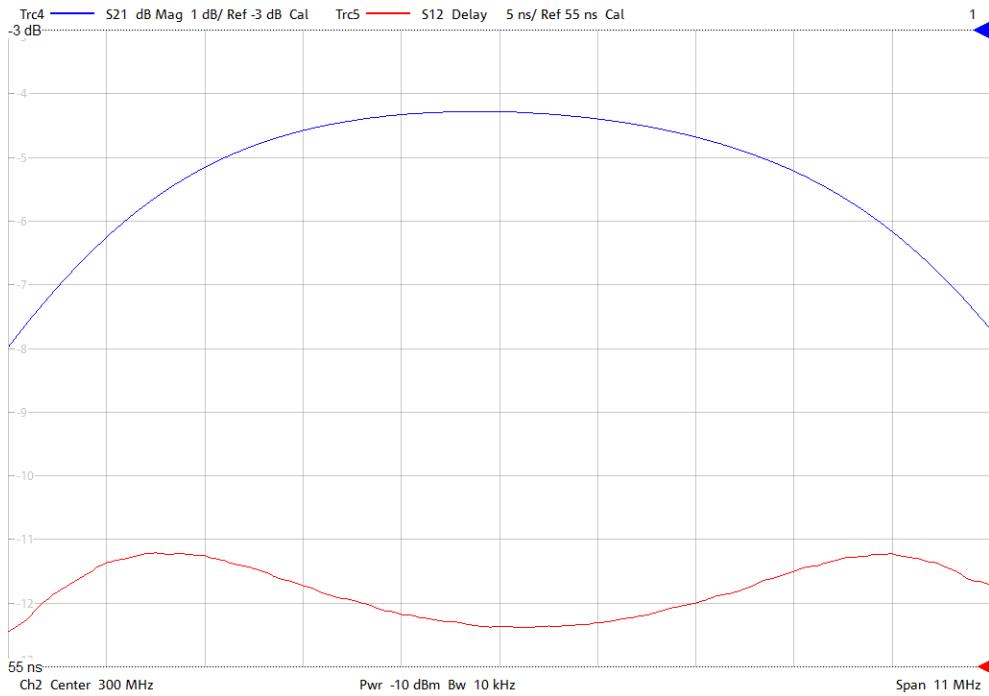


KR Electronics, Inc.
91 Avenel Street
Avenel, NJ 07001

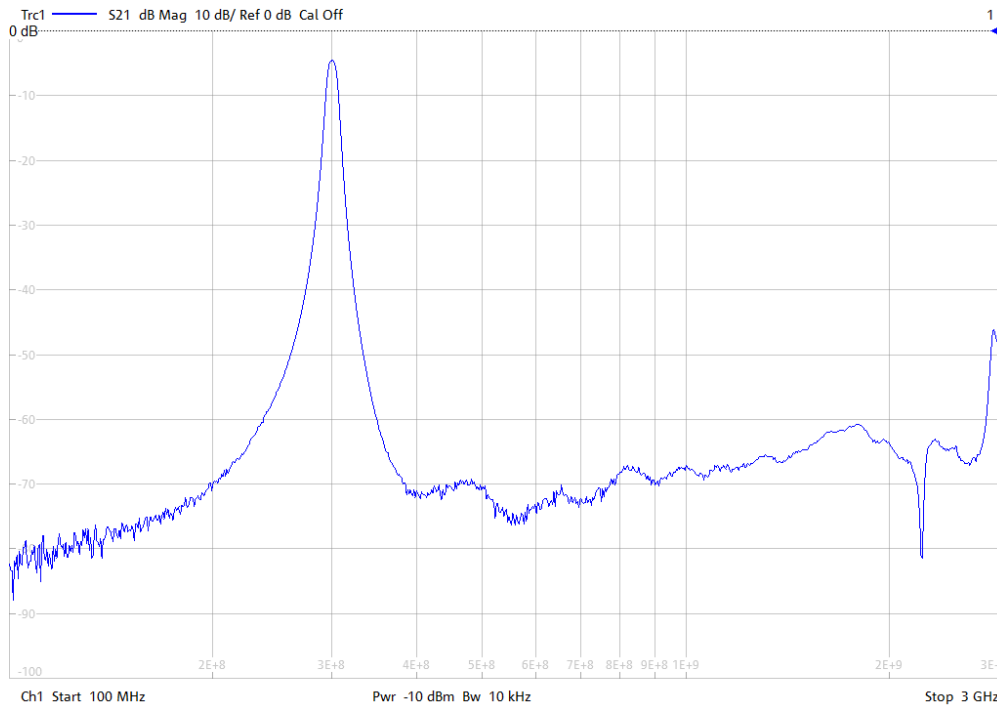
Web www.krfilters.com
Email sales@krfilters.com
Phone (732) 636-1900
Fax (732) 636-1982

KR Electronics 3302

Passband Amplitude & Group Delay (1 dB/div & 5 nsec/div)



Overall Response (10 dB/div)



KR Electronics, Inc.
91 Avenel Street
Avenel, NJ 07001

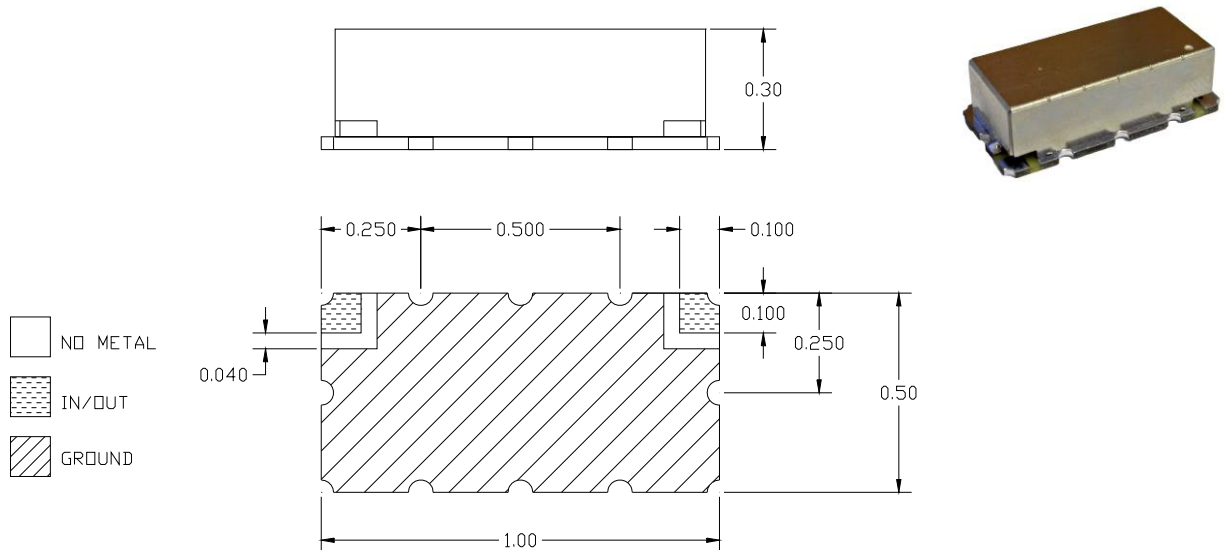
Web www.krfilters.com
Email sales@krfilters.com
Phone (732) 636-1900
Fax (732) 636-1982

KR Electronics 3302

Specifications

Parameter	Specification	Notes
Filter type	Bandpass	
Center Frequency	300 MHz	
Insertion Loss	5 dBa max	
1 dB Bandwidth	6.7 MHz typical	
3 dB Bandwidth	10 MHz \pm 1 MHz	
40 dB Bandwidth	59 MHz typical	
60 dB Bandwidth	135 MHz typical	
Source and Load	50 Ω	

Physical Dimensions



Notes:

1. Surface mount package
2. Dimensions in inches
3. Max reflow temperature 230° C for 10 sec
4. If boards are cleaned after installation units must be completely dried