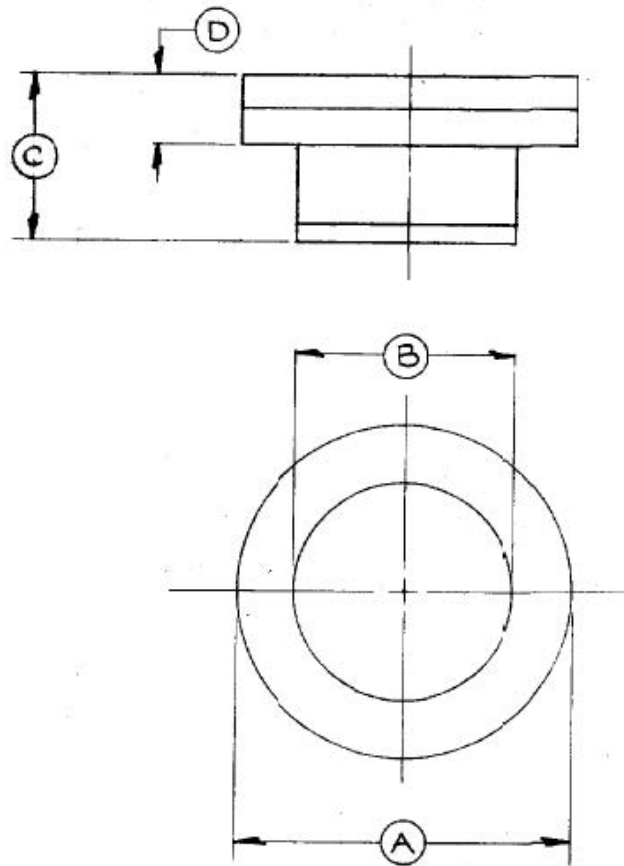


REVISIONS	
REV	DESCRIPTION
H1	DWG INITIATED



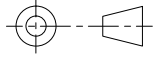
NOTES: 1. METAL PARTS TO BE GOLD PLATED MIN TO P.S.I.

2. MARKING TO BE:
- A) DIGITAL WHERE THE FORM IS MXXXX OR MXXXXX AND A CATHODE BAND OR POLARITY SYMBOL OR
 - B) COLOR DOTS AND/OR COLOR BAND THE COLOR BAND DEVOTES CATHODE END AND FIRST DIGIT(S) OF TYPE NUMBER (SILVER FOR "MA4" AND GOLD FOR "MA4C") AND COLOR DOTS WHERE IF THE FIRST DOT IS GOLD IT DEVOTES "MA47" OTHERWISE THE DOTS REPRESENT THE 2ND, 3RD, ETC. DIGITS OF TYPE NUMBER

DIM.	INCHES		MM	
	MIN.	MAX.	MIN.	MAX.
A	.119	.125	3.02	3.175
B	.077	.083	1.95	2.10
C	.055	.065	1.39	1.65
D	—	.025	—	.63

UNLESS OTHERWISE SPECIFIED INTERPRET DRAWING PER ASME Y14.5 DO NOT SCALE THIS DRAWING

NOTE: THIS DRW INCORPORATES THIRD ANGLE PROJECTION



M/A-COM Technology Solutions, INC. CONFIDENTIAL INFORMATION SUBJECT TO NDA

The information contained in this document or material is the valuable and confidential property of M/A-COM Technology Solutions Holdings, Inc. and/or its subsidiaries or affiliates (collectively MACOM), provided to you subject to a non-disclosure agreement between you and MACOM solely for use in supporting MACOM's business as and to the extent MACOM authorizes in writing from time to time. This information shall be held in strictest confidence and shall not be reproduced, published, disclosed to others, or used for any purpose except as and to the extent specifically authorized by MACOM in a separate written agreement. If permission is granted for reproduction, this document or material shall be promptly returned to MACOM or destroyed upon request, completion of the use for which it was made available to recipient, or termination of MACOM's relationship with recipient, whichever first occurs.

UNLESS OTHERWISE SPECIFIED DIMENSIONS ARE IN INCHES

TOLERANCES ON	
DECIMALS	ANGLES
.X ± .1 .XX ± .02 .XXX ± .005 .XXXX ± .0005	±0.5°

UNLESS OTHERWISE SPECIFIED $\sqrt[63]{}$ ALL OVER

MATERIAL	X
FINISH	X

MACOM™ *MACOM Technology Solutions, Inc.*
100 Chelmsford Street
Lowell, MA 01851

TITLE
Outline Drawing

X	X
NEXT ASSY	USED ON
APPLICATION	

SIZE	CAGE CODE	DRAWING NO.
A	55NN2	OD-S-32
SCALE:	X/X	WEIGHT /
		SHEET 1 OF 1

