

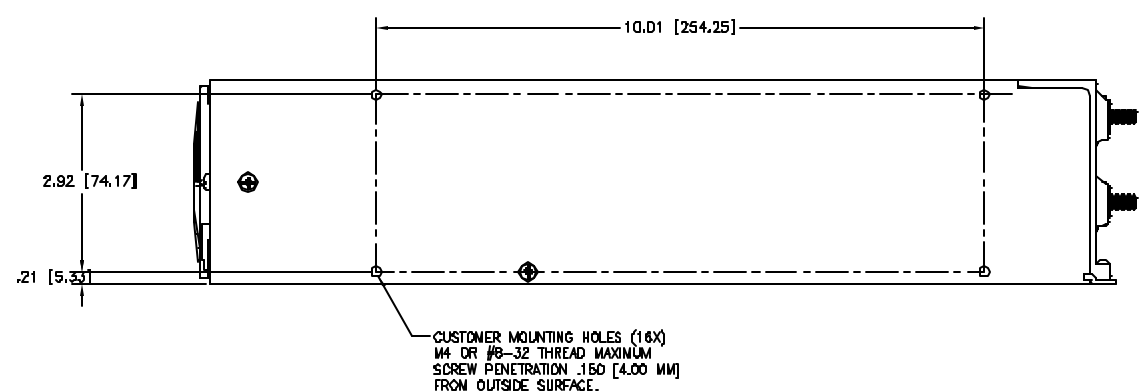
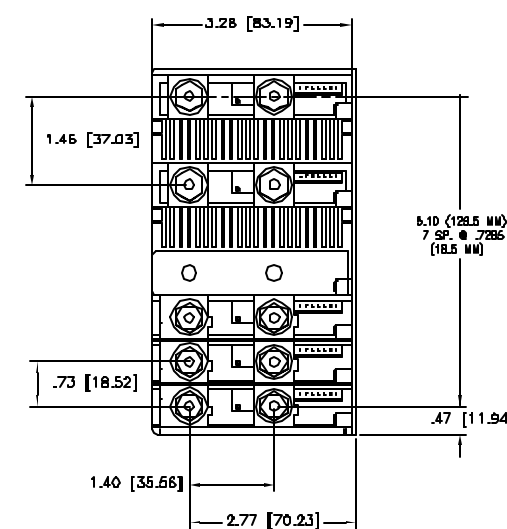
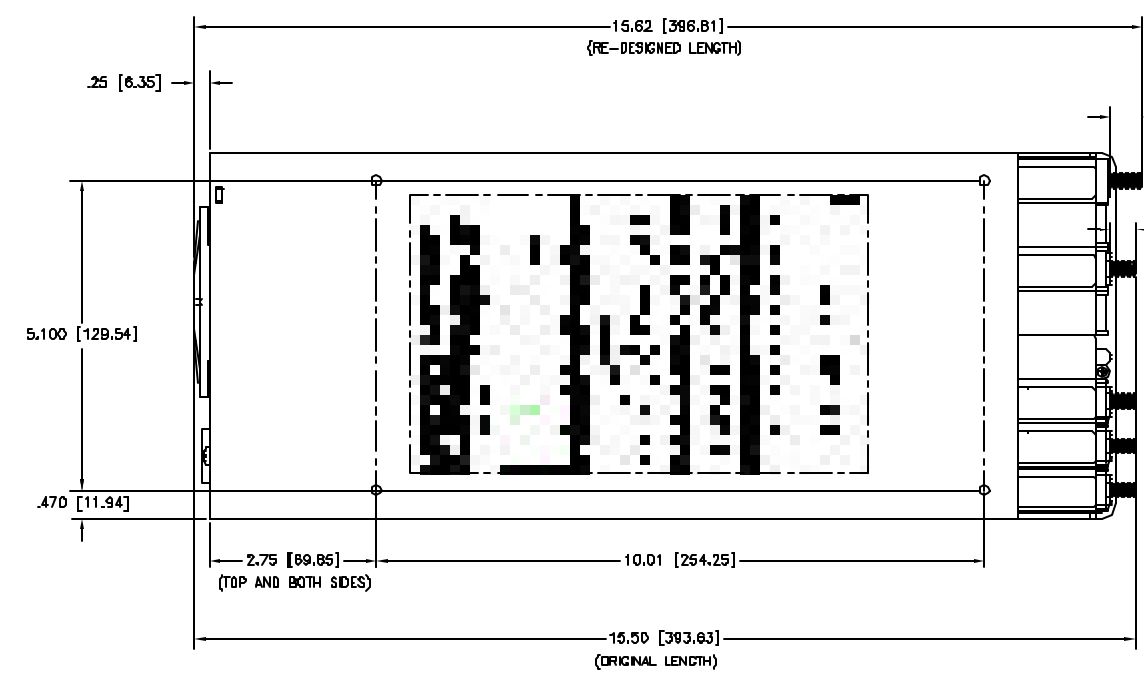
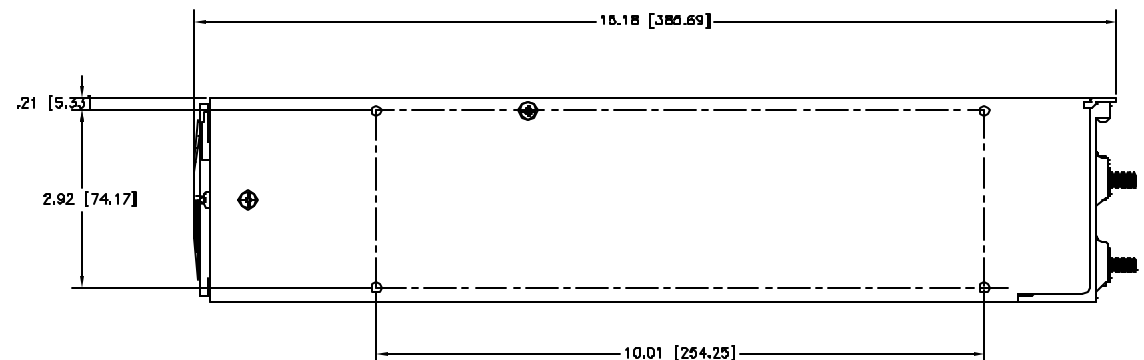
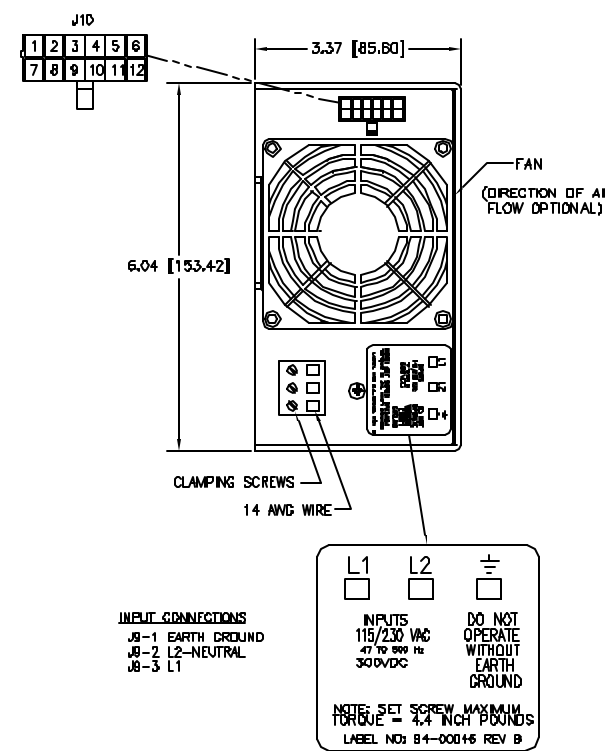
PROPRIETARY DATA:
This document and information contained
herein are the property of WESTCOR
and its subsidiaries and are not to be
reproduced, used or disclosed
without written permission of WESTCOR
a division of VICTOR Corporation.

REVISIONS				
ECO	REV	DESCRIPTION	DATE	APPROVED
127B	A	PRODUCTION RELEASE	08/13/03	RME

J10 INTERFACE

J10-1	E/D-1
J10-2	E/D-2
J10-3	E/D-3
J10-4	E/D-4
J10-5	E/D-5
J10-6	E/D-6
J10-7	E/D-7
J10-8	E/D-8
J10-9	V _{cc} +5V, 0.3A
J10-10	SIGNAL GROUND
J10-11	AC POWER OK
J10-12	GEN SHUTDOWN

MATING HWWR:
HOUSING-MOLEX P/N: 38-01-2120,
TERMINALS-MOLEX P/N: 39-00-0039
CRIMP TOOL-MOLEX P/N: 11-01-0122

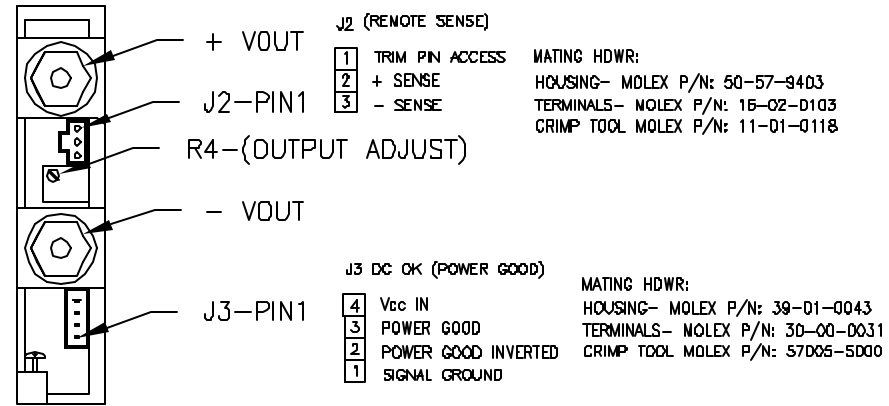


NOTE: A DETAILED DESIGN GUIDE IS AVAILABLE @ www.vicorpower.com

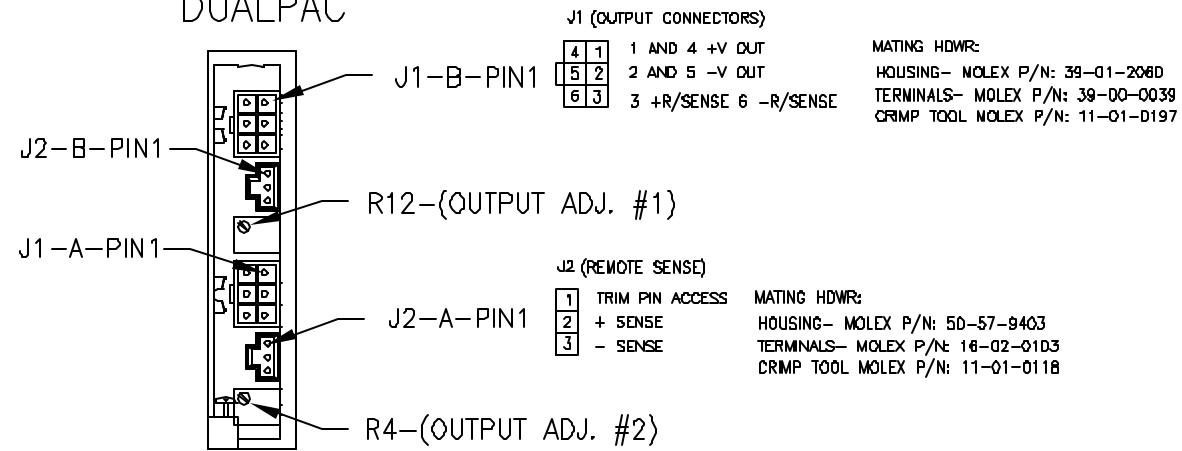
UNLESS OTHERWISE SPECIFIED DIMENSIONS ARE IN INCHES TOLERANCES ARE:		THIRD ANGLE PROJECTION		WESTCOR a division of VICTOR Corp.	
FRACTIONS	DECIMALS	ANGLES	APPROVALS	DATE	
± 1/32	.00X ± .01 .00X ± .005	± 1/2°	LARRY KING	10/13/99	OUTLINE DRAWING PFC MEGAPAC CLEAR (EXT) LENGTH CHASSIS SIZE: D CAGE CODE: --- DWG NO: DB-130149 SCALE: NTS FILENAME: 08-130149 SHEET: 1 OF 2
MATERIAL	SEE BOM	CHECKED	HUY IDAN	10/13/99	
FINISH	---	APPROVED	P.B. DRABING	10/13/99	
DESIGNED	---	DATE	---	---	
SEE MIS		APPLICATION	DO NOT SCALE DRAWING		

REVISIONS				
ECO	REV	DESCRIPTION	DATE	APPROVED
---	--	SEE SHEET 1	---	---

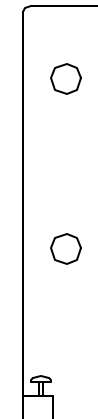
MODUPAC/JR.PAC/RAMPAC



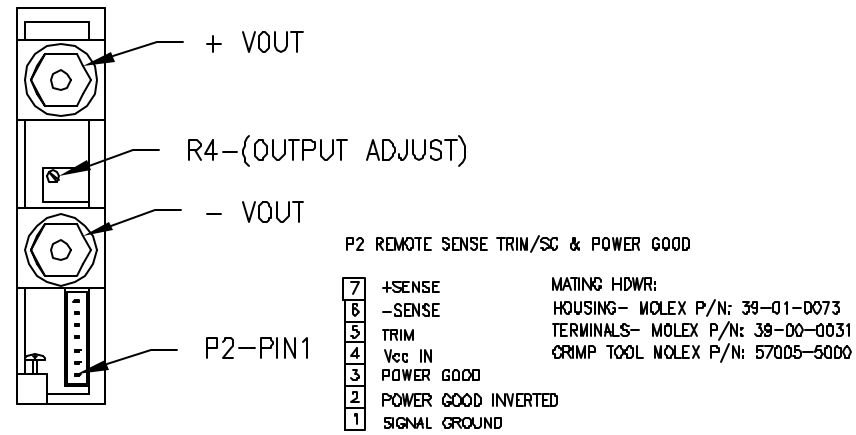
DUALPAC



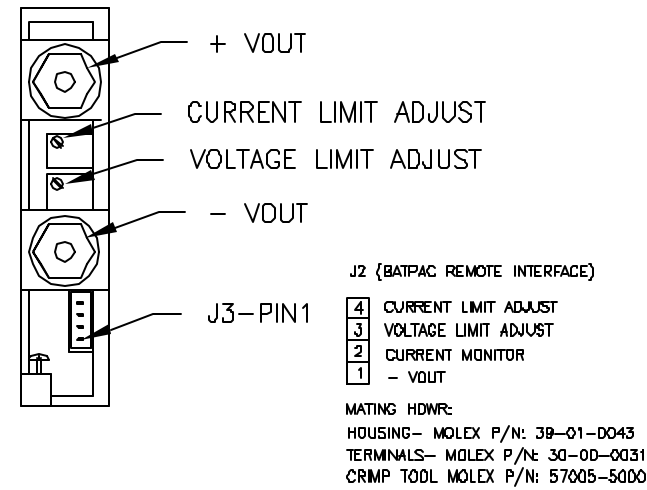
AIR BLOCK



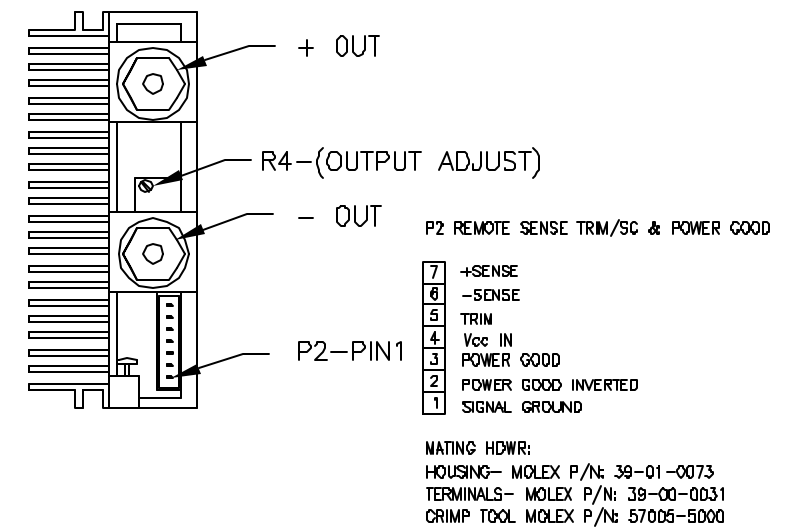
UNIPAC



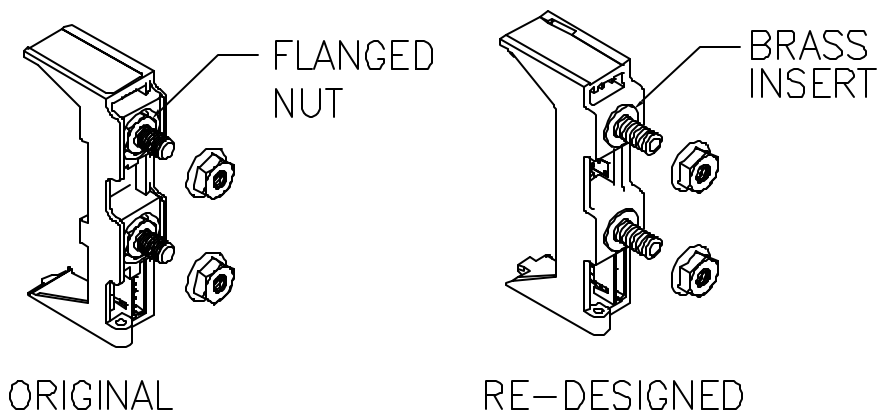
BATPAC



FINPAC



OUTPUT PANEL AND STUDS



NOTE: EITHER THE ORIGINAL OR RE-DESIGNED OUTPUT STUD AND PANEL COMBINATION MAY BE PRESENT. THE NEW OUTPUT PANEL HAS A BRASS INSERT AND THE STUD IS 1/8 INCH LONGER. (SEE SHEET ONE FOR DIMENSIONAL DATA).

WESTCOR a division of VICOR Corp.	OUTLINE DWG PFC MEGAPAC (STD) LENGTH CHASSIS				
	PROPRIETARY DATA: This document and information contained may not be reproduced, used or disclosed without prior written permission of WESTCOR a division of VICOR Corporation.	SIZE D	CAGE CODE ---	DWG NO. 08-130139	REV A1
	FILENAME: 08-130139		SHEET 2 OF 2		