



■ Features :

- AC input 200~260V only
- Protections: Short circuit / Overload / Over voltage / Over temp.
- High reliability/ Low ripple noise
- Built-in remote sense function
- Built-in remote ON-OFF control
- Built-in parallel operation function
- Can adjust from 20~100% output voltage by external control 1-5V
- Forced air cooling by built-in DC fan
- Case coating with paint
- 2 years warranty

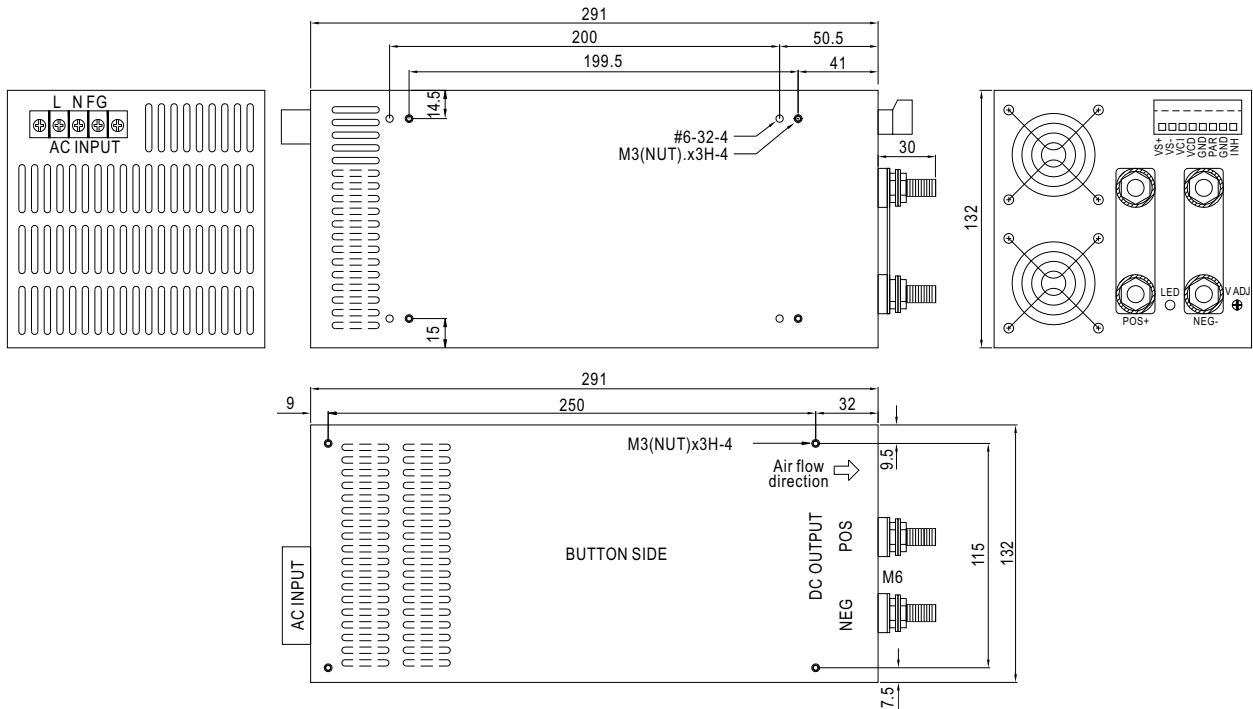


SPECIFICATION

ORDER NO.	SCN-1K2-05	SCN-1K2-12	SCN-1K2-15	SCN-1K2-24	SCN-1K2-48	
OUTPUT	SAFETY MODEL NO.	1K2S-N005	1K2S-N012	1K2S-N015	1K2S-N024	1K2S-N048
	DC VOLTAGE	5V	12V	15V	24V	48V
	RATED CURRENT	180A	100A	80A	50A	24A
	CURRENT RANGE	0 ~ 180A	0 ~ 100A	0 ~ 80A	0 ~ 50A	0 ~ 24A
	RATED POWER	900W	1200W	1200W	1200W	1152W
	RIPPLE & NOISE (max.) Note.2	100mVp-p	120mVp-p	150mVp-p	240mVp-p	480mVp-p
	VOLTAGE ADJ. RANGE	±5.0% typical adjustment by potentiometer 20 ~ 100% adjustment by 1 ~ 5VDC external control				
	VOLTAGE TOLERANCE Note.3	±2.5%	±1.0%	±1.0%	±1.0%	±1.0%
	LINE REGULATION	±0.5%	±0.5%	±0.5%	±0.5%	±0.5%
	LOAD REGULATION	±2.0%	±0.5%	±0.5%	±0.5%	±0.5%
SETUP, RISE, HOLD UP TIME	800ms, 50ms, 16ms at full load					
INPUT	VOLTAGE RANGE	200 ~ 260VAC 290 ~ 370VDC				
	FREQUENCY RANGE	47 ~ 63Hz				
	EFFICIENCY (Typ.)	77%	83%	85%	85%	87%
	AC CURRENT	11A / 230VAC				
	INRUSH CURRENT (max.)	120A / 230VAC				
	LEAKAGE CURRENT (max.)	3.5mA / 240VAC				
PROTECTION	OVERLOAD	101 ~ 115%	110 ~ 135% rated output power			
	OVER VOLTAGE	110 ~ 135% follow to output set up point				
	OVER TEMPERATURE	>100°C / measure by heat sink, near transformer				
ENVIRONMENT	WORKING TEMP.	-10 ~ +65°C (Refer to output load derating curve)				
	WORKING HUMIDITY	20% ~ 90% RH non-condensing				
	STORAGE TEMP., HUMIDITY	-20 ~ +85°C, 10 ~ 95% RH				
	TEMP. COEFFICIENT	±0.04% / °C (0 ~ 50°C)				
	VIBRATION	10 ~ 200Hz, 2G 10min./1cycle, period for 60min. each along X, Y, Z axes				
SAFETY & EMC (Note. 4)	SAFETY STANDARDS	UL60950-1, CSA22.2, IEC60950 approved				
	WITHSTAND VOLTAGE	I/P-O/P, I/P-FG :1500VAC				
	ISOLATION RESISTANCE	I/P-O/P, I/P-FG, >100M Ohms / 500VDC / 25°C / 70% RH				
	EMI CONDUCTION & RADIATION	Compliance to FCC part 15 class A				
	HARMONIC CURRENT	----				
	EMS IMMUNITY	----				
OTHERS	MTBF	60Khrs min. MIL-HDBK-217F (25°C)				
	DIMENSION	291*132*132mm (L*W*H)				
	PACKING	4.75kg ; 4pcs/20kg/CARTON				
	SPECIAL FUNCTION	DC voltage adj., Remote sensing, remote control, parallel operation (refer to terminal instruction manual)				
NOTE	<p>1.All parameters are specified at 230VAC input, rated load, 25°C 70% RH ambient.</p> <p>2.Tolerance: includes set up tolerance, line regulation, load regulation.</p> <p>3.Ripple & noise are measured at 20MHz by using a 12" twisted pair terminated with a 0.1uf & 47uf capacitor.</p> <p>4.The power supply is considered a component which will be installed into a final equipment. The final equipment must be re-confirmed that it still meets EMC directives.</p>					

Mechanical Specification

Unit:mm



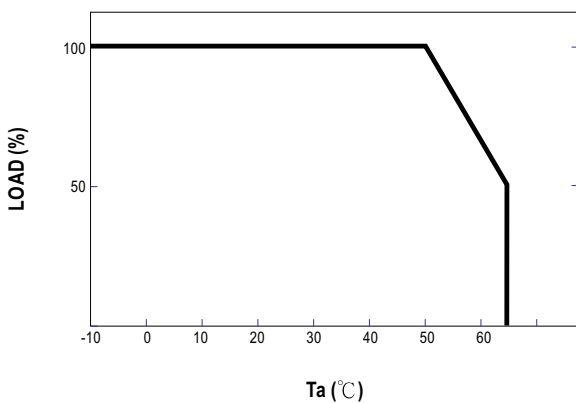
Terminal Pin No. Assignment

Pin No.	Assignment
1	AC/L
2	AC/N
3	FG \perp

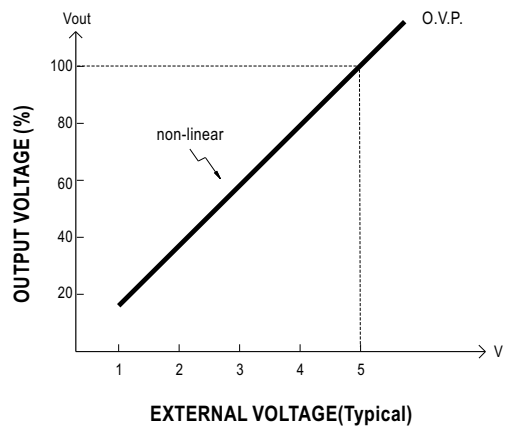
Control terminal Pin No. Assignment (CN1) : Dinkle 51HDBC-08P or equivalent

Pin No.	Assignment	Pin No.	Assignment	Mating With
1	VS+	5	GND	Dinkle 51SDB-08P or equivalent
2	VS-	6	PAR	
3	VCI	7	GND	
4	VCO	8	INH	

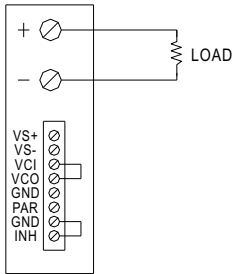
Derating Curve



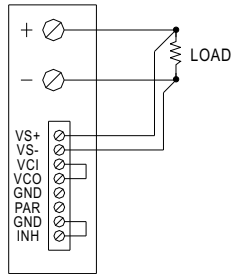
External DC Control VS Output Voltage



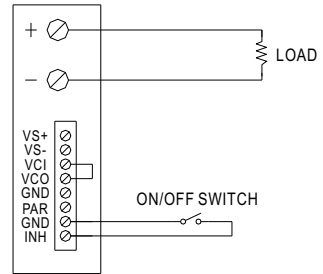
■ Control terminal instruction manual



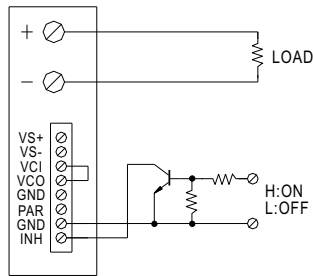
USING INTERNAL VOLTAGE CONTROL



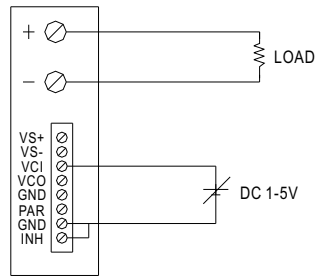
REMOTE SENSING



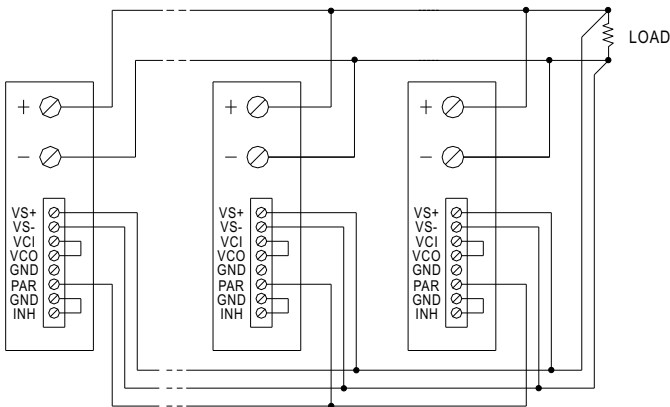
ON/OFF CONTROL BY SWITCH



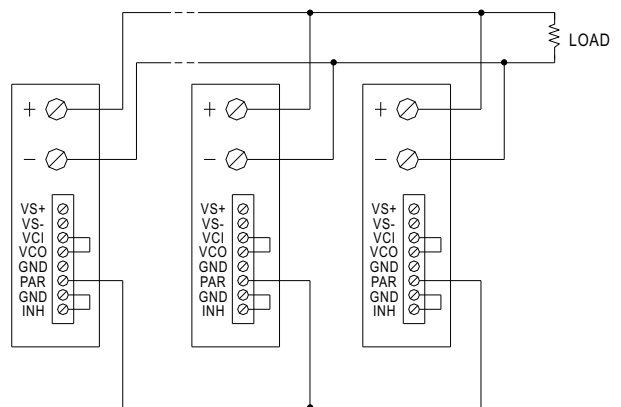
ON/OFF CONTROL BY TRANSISTOR



OUTPUT VOLTAGE ADJUST WITH DC 1-5V



PARALLEL OPERATION WITH REMOTE SENSING



PARALLEL OPERATION