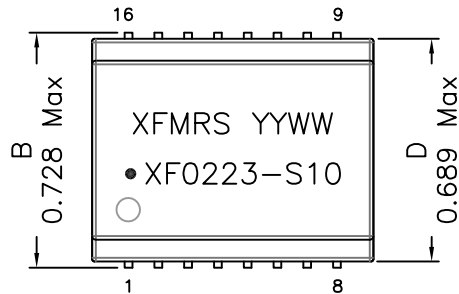
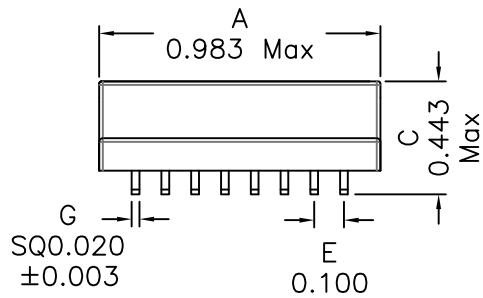
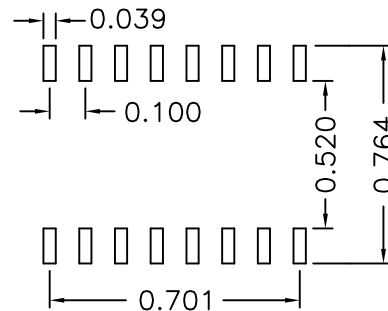
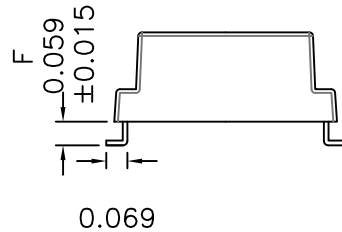


1. Mechanical Dimensions:



Top view

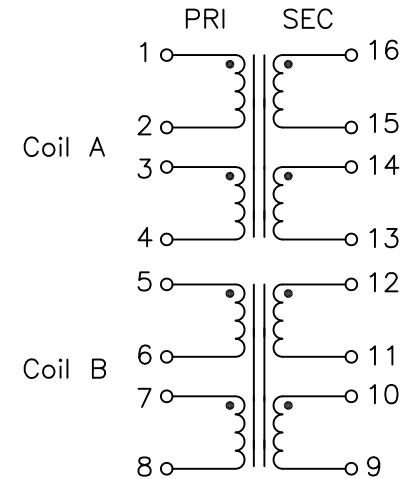


SUGGESTED PCB LAYOUT

Notes:

1. Solderability: Leads shall meet MIL-STD-202G, Method 208H for solderability.
2. Flammability: UL94V-0
3. ASTM oxygen index: > 28%
4. Insulation System: Class F 155°C. UL file E151556
5. All listed parameters are to be within tolerance from -40°C to +85°C unless otherwise noted.
6. Storage Temperature Range: -55°C to +125°C
7. Aqueous wash compatible
8. SMD Lead Coplanarity: ±0.004"(0.102mm)
9. Electrical and mechanical specifications 100% tested
10. RoHS Compliant Component

2. Schematic:



3. Electrical Specifications: @25°C

PRI OCL: Pins 1-4, 5-8 22mH Min @10KHz, 0.1V

SEC LL: 15uH Max @100KHz, 100mV Short PRI

Cw/w: (PRI/SEC) 100pF Max @100KHz, 0.1V

PRI CW/W: 80pF Max @100KHz, 0.1V For Reference Only

ΔIDC: 1mA Max

PRI DCR: 2.30 Ohms ±25%

SEC DCR: 4.00 Ohms ±25%

Turns Ratio: (PRI:SEC)=1CS:2CS±2%

Isolation: 1500Vrms (PRI/SEC)

Q: tbd Min @10KHz, 50mV

XFMRS Inc www.XFMRS.com	Title: SMD TRANSFORMER FOR ISDN S-INTERFACE			
	UNLESS OTHERWISE SPECIFIED TOLERANCES:	P/N: XF0223-S10	REV. B	
.xxx ±0.010	DWN.	Yuan	Apr-14-15	
Dimensions in Inch	CHK.	YK Liao	Apr-14-15	
SHEET 1 OF 1	APP.	BW	Apr-14-15	

DOC. REV: B/1

PROPRIETARY

Document is the property of XFMRS Group & is not allowed to be duplicated without authorization.