



N Female 4 Hole Flange to MMCX Plug Right Angle Cable 36 Inch Length Using LMR-100 Coax

TECHNICAL DATA SHEET

PE3C0063-36

N Female 4 Hole Flange to MMCX Plug Right Angle Cable 36 Inch Length Using LMR-100 Coax

Configuration

| | |
|---------------------------|------------------------|
| Connector 1 | N Female 4 Hole Flange |
| Connector 2 | MMCX Plug Right Angle |
| Connector 2 Specification | BS EN 122340 |
| Cable Type | LMR-100A |
| Impedance, Ohms | 50 |

Mechanical Specifications

Cable Assembly

| | |
|------------|----------|
| Cable Type | LMR-100A |
|------------|----------|

Temperature

| | |
|------------------------------------|------------|
| Temperature Operating Range, deg C | -40 to +85 |
| Temperature Storage Range, deg C | -70 to +85 |

Size

| | |
|---------------------------------------|---------------|
| Length, in [mm] | 36 [914.4] |
| Diameter, in [mm] | 0.276 [7.01] |
| Weight, lbs [g] | 0.123 [55.79] |
| Cable Color | Black |
| One Time Minimum Bend Radius, in [mm] | 0.25 [6.35] |
| Repeated Minimum Bend Radius, in [mm] | 1 [25.4] |

Cable

| | |
|--------------------------|-------------|
| No of Shields | 2 |
| Dielectric Type | PE |
| Jacket Material | PVC |
| Jacket Diameter, in [mm] | 0.11 [2.79] |

Connector 1

| | |
|---------------|------------------------|
| Type | N Female 4 Hole Flange |
| Configuration | Straight |
| Mount Method | 4 Hole Flange |

Connector 2

| | |
|---------------------------------------|-----------------------|
| Type | MMCX Plug Right Angle |
| Configuration | Right Angle |
| Inner Conductor Material and Plating | Brass, Gold |
| Inner Conductor Plating Specification | 30μ in. minimum |
| Body Material and Plating | Brass, Gold |
| Body Plating Specification | 3μ in. minimum |
| Dielectric Type | Teflon |

Click the following link (or enter part number in "SEARCH" on website) to obtain additional part information including price, inventory and certifications: [N Female 4 Hole Flange to MMCX Plug Right Angle Cable 36 Inch Length Using LMR-100 Coax PE3C0063-36](#)

The information contained in this document is accurate to the best of our knowledge and representative of the part described herein. It may be necessary to make modifications to the part and/or the documentation of the part, in order to implement improvements. Pasternack reserves the right to make such changes as required. Unless otherwise stated, all specifications are nominal.



N Female 4 Hole Flange to MMCX Plug Right Angle Cable 36 Inch Length Using LMR-100 Coax

TECHNICAL DATA SHEET

PE3C0063-36

Compliance Certifications (visit www.Pasternack.com for current document)

Plotted and Other Data

Notes:

Values at 25 °C, sea level

N Female 4 Hole Flange to MMCX Plug Right Angle Cable 36 Inch Length Using LMR-100 Coax from Pasternack Enterprises has same day shipment for domestic and International orders. Our RF, microwave and fiber optic products maintain a 99% availability and are part of the broadest selection in the industry.

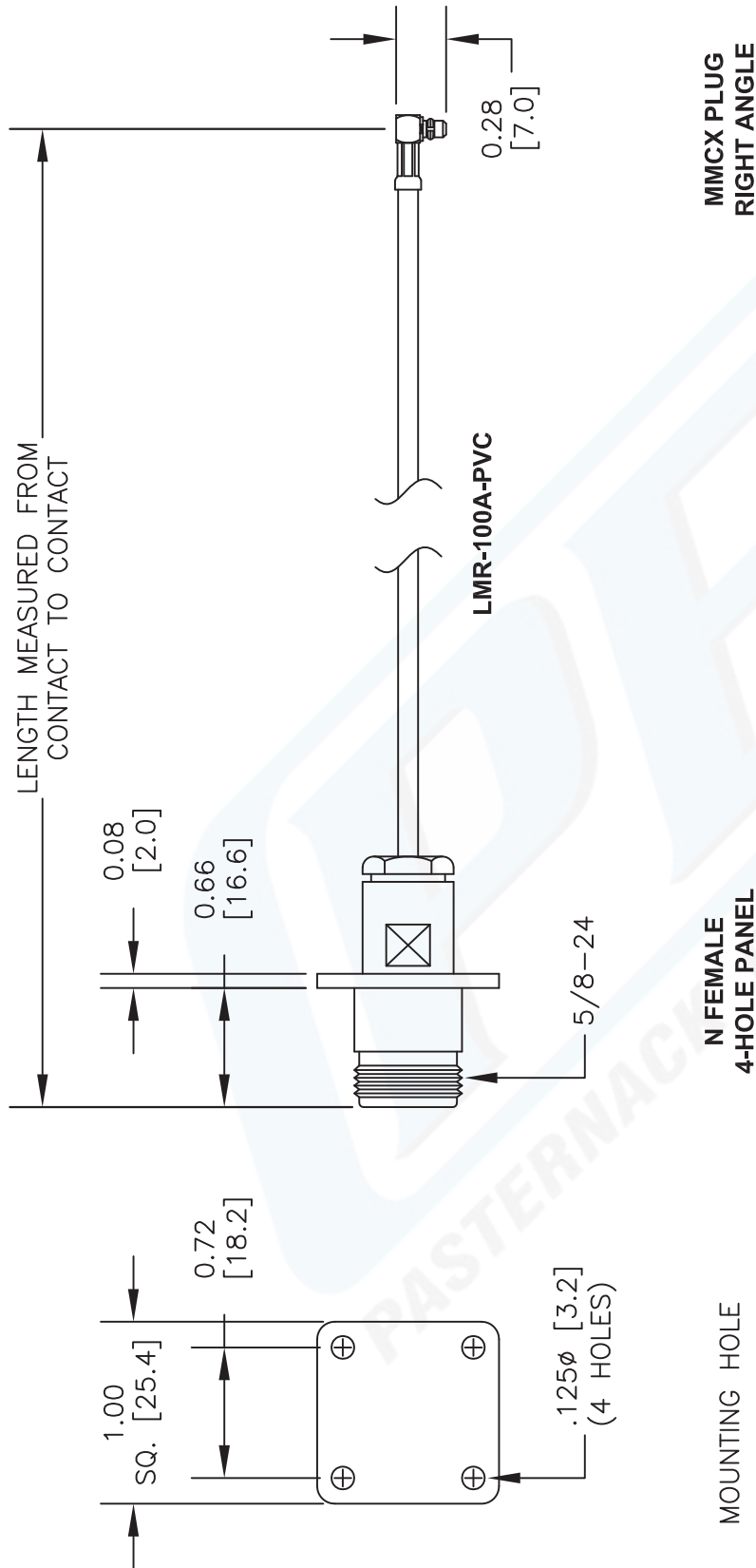
Click the following link (or enter part number in "SEARCH" on website) to obtain additional part information including price, inventory and certifications: [N Female 4 Hole Flange to MMCX Plug Right Angle Cable 36 Inch Length Using LMR-100 Coax PE3C0063-36](http://www.pasternack.com/n-female-mmcx-plug-lmr100-cable-assembly-pe3c0063-36-p.aspx)

URL: <http://www.pasternack.com/n-female-mmcx-plug-lmr100-cable-assembly-pe3c0063-36-p.aspx>

The information contained in this document is accurate to the best of our knowledge and representative of the part described herein. It may be necessary to make modifications to the part and/or the documentation of the part, in order to implement improvements. Pasternack reserves the right to make such changes as required. Unless otherwise stated, all specifications are nominal.

PE3C0063-36 CAD Drawing

N Female 4 Hole Flange to MMCX Plug Right Angle
Cable 36 Inch Length Using LMR-100 Coax



MOUNTING HOLE

N FEMALE
4-HOLE PANEL

MMCX PLUG
RIGHT ANGLE

| How To Order | | Part # Ext. | Length In Inches | Part # Ext. | Length In Centimeters |
|------------------------------------|----------------|-------------|------------------|-------------|-----------------------|
| Part Number Configuration | Examples | -12 | 12" | -25CM | 25Cm |
| PE3 [zzz] [yy] - [xx] [uu] | PE3000LF-100 | -24 | 24" | -50CM | 50Cm |
| 00 - 99999 | PE3000-100 | -36 | 36" | -75CM | 75Cm |
| LF = RoHS Compliant | PE3000LF-100CM | -48 | 48" | -100CM | 100Cm |
| < Blank > = Standard | PE3000-100CM | -60 | 60" | -125CM | 125Cm |
| Note: LF applies only to RF cables | | -xx | Custom Length | -xxCM | Custom Length |

DWG TITLE

PE3C0063

NOTES:
 1. UNLESS OTHERWISE SPECIFIED ALL DIMENSIONS ARE NOMINAL.
 2. ALL SPECIFICATIONS ARE SUBJECT TO CHANGE WITHOUT NOTICE AT ANY TIME.
 3. DIMENSIONS ARE IN INCHES [mm].
 4. LENGTH TOLERANCE IS ± 1.5% OR 3/8", WHICHEVER IS GREATER.

PASTERNAK®
 Pasternack Enterprises, Inc.
 P.O. Box 16759 | Irvine | CA | 92623
 Phone: (949) 261-1920 | Fax: (949) 261-7451
 Website: www.pasternack.com | E-Mail: sales@pasternack.com

FSCM NO. 53919

CAD FILE 020513

SCALE N/A

SIZE A

2233