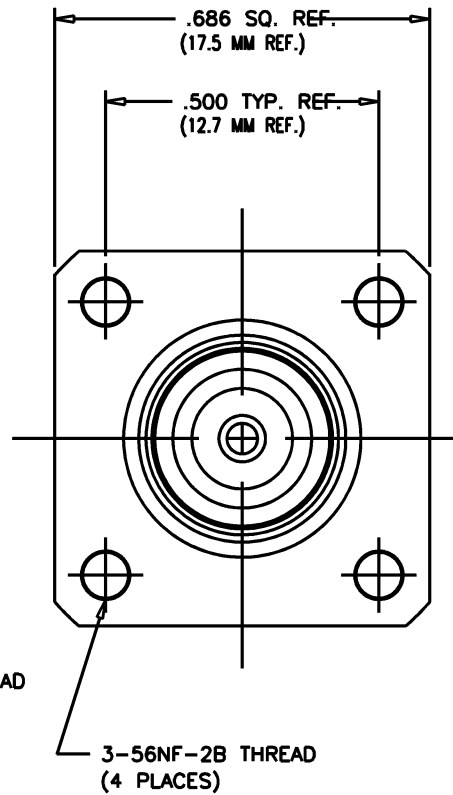
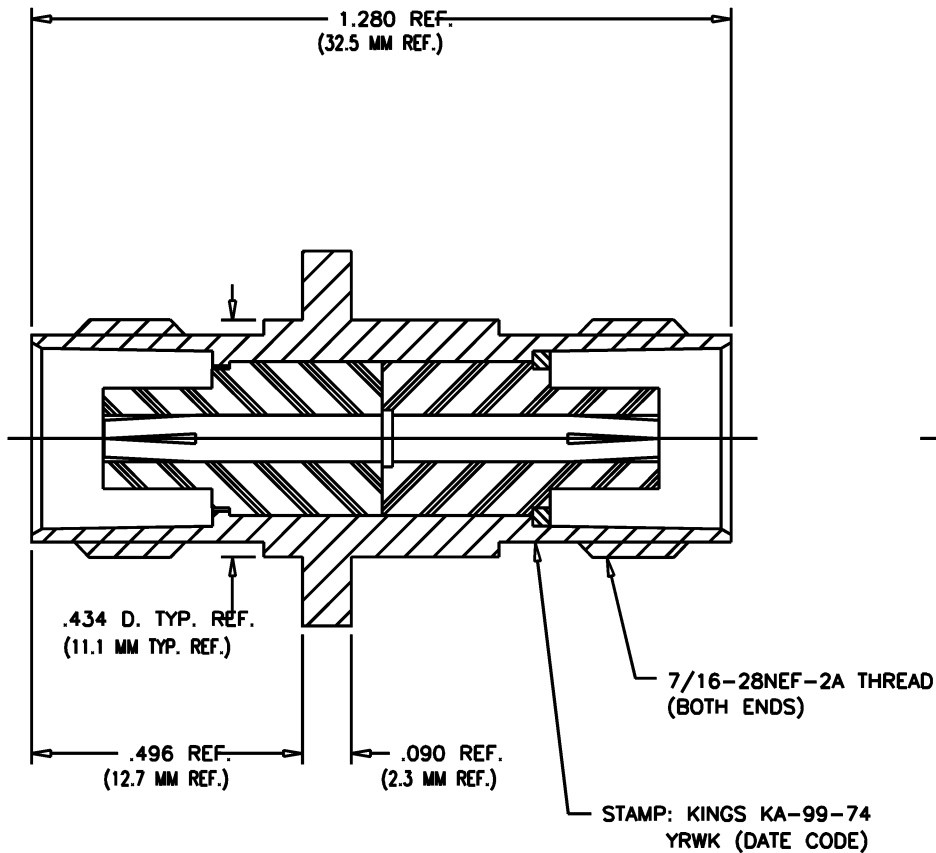


DASH NO.	M CODE	MADE FROM
----------	--------	-----------

SD

KA-99-74

REVISIONS	
ISSUE	CHANGES
0	ER 19608 MJB 09/13/79
1	CN 39053 C REDRAWN HVN 03/04/04
2	CN 39564 C JPK 08/08/06



NOTE:
1. SAME AS KA-91-04 EXCEPT FOR FINISH & MARKING.

KA-99-74S

SCALE 4:1

APPROX SURFACE AREA

USED ON

REF:

TNC PANEL
ADAPTER (F-F)

DRAWN HVN DATE 03/03/04

DESIGN LI DATE 09/13/79

APPR. DATE

KINGS
ELECTRONICS CO., INC.
ROCK HILL, SOUTH CAROLINA 29730

SD

KA-99-74