

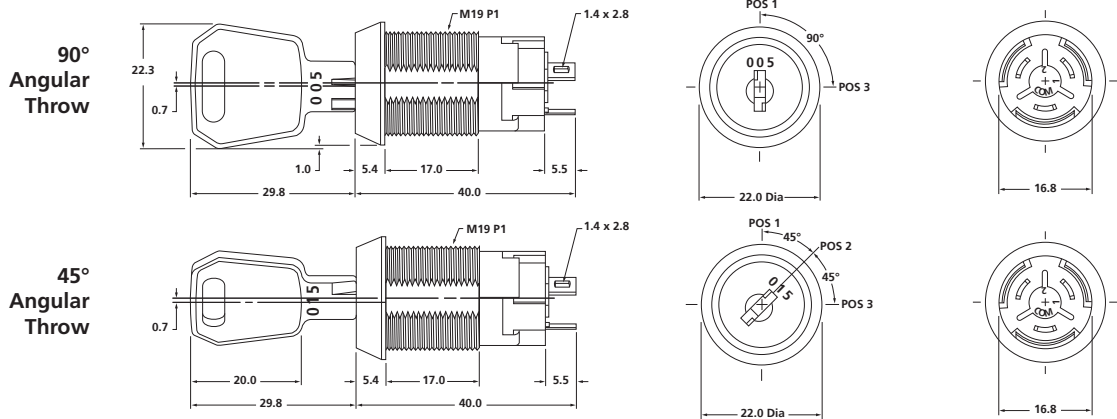
Keylock Switches

High Security Keylock Switches with Ø19mm Bushing

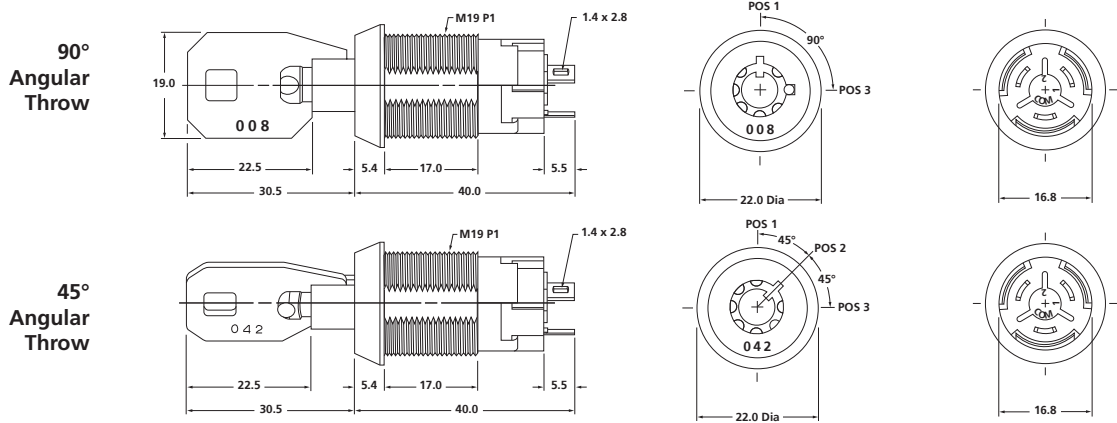
CKL Series



CKL12AFW01
Flat Key



CKL13ETW01
Tubular Key

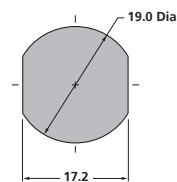


POLES, CIRCUITS & KEY-REMOVABLE POSITIONS

Pole & Throw	Model	Key Positions			Connected Terminals			Schematic	⊙ = Key Removable • = Not Removable √ = Maximum Arc
		Pos 1	Pos 2	Pos 3	Pos 1	Pos 2	Pos 3		
SPDT	CKL12A	ON	NONE	ON	COM-1	-	COM-2		 POS 1 3
SPDT	CKL12B	ON	NONE	ON	COM-1	-	COM-2		 POS 1 3
SPDT	CKL13E	ON	OFF	ON	COM-1	OPEN	COM-2		 POS 1 2 3

PANEL

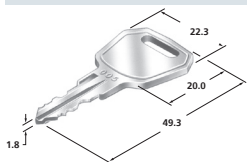
CUTAWAY



Max. Effective Panel Thickness: 12.6mm



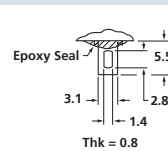
FLAT KEY



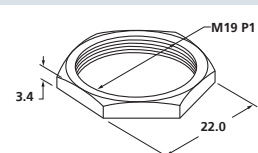
TUBULAR KEY



SOLDER LUG TERMINAL



HARDWARE



How to order:

CKL

- 1** POLES:
1 SPDT
- 2** CIRCUITS & KEY REMOVE:
2A ON-NONE-ON Pos 1 & 3
2B ON-NONE-ON Pos 1
3E ON-OFF-ON Pos 2
- 3** KEYS:
F Flat
T Tubular
- 4** CONTACT MATERIAL:
W Silver, Rated 3A @ 250V AC
- 5** TERMINALS:
01 Solder Lug

General Specifications:

- ELECTRICAL CAPACITY (Resistive Load)**
 » Power Level: 3A @ 250 V AC
OTHER RATINGS:
 » Contact Resistance: 20mΩ max.
 » Insulation Resistance: 1,000MΩ min. @500VDC
 » Mechanical Life: 30,000 cycles min.
 » Electrical Life: 10,000 cycles min.
 » Nominal Operating Torque:
 0.04 mNm for Flat Key
 0.08 mNm for Tubular Key
 » Angle of Throw: 90° for 2-position, 45° for 3-position
MATERIALS
 » Terminals: Copper with silver plating
 » Movable Contactor: Copper
 » Movable Contacts: Silver
ENVIRONMENTAL DATA
 » Operating Temperature: -25°C through +70°C
INSTALLATION
 » Mounting Torque: 1.5 Nm max.
 » Soldering: Manual Soldering 4 sec. max. @ 390°C max.

