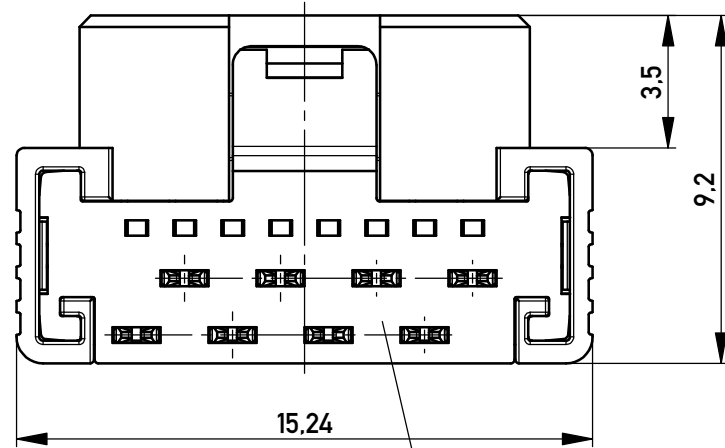
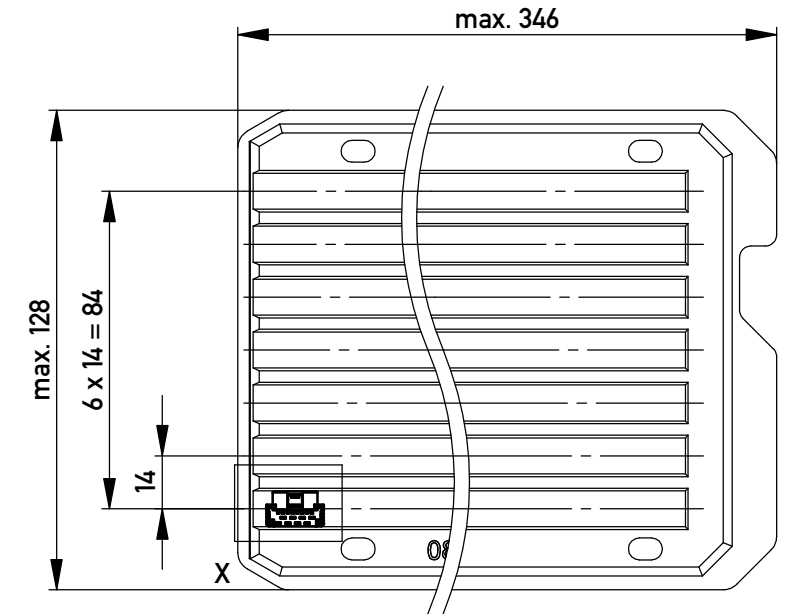
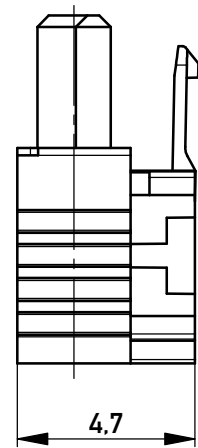


Verpackt in Tray - tray packaging  
 Verpackungseinheit 140 Stück - packaging unit 140 pcs



Kabelführung: rot  
 cable guide: red

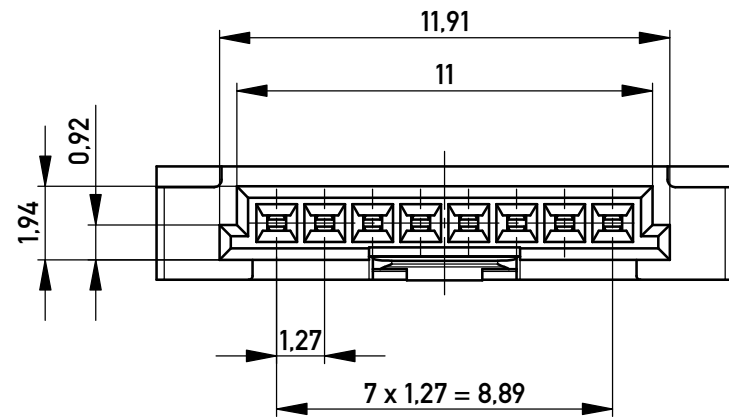
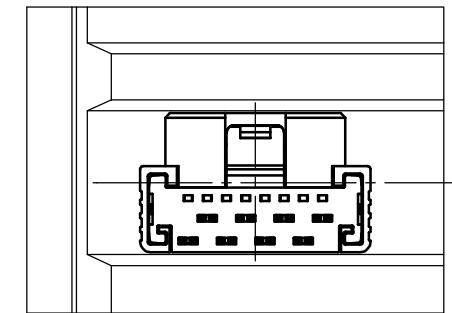


mit aufgesetzter  
 Kabelführung  
 (Anlieferungszustand)  
 with cable guide mounted  
 (state at time of supply)



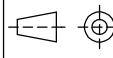

Kabelführung verpresst  
 (cable guide pressed on)

Einzelheit X - detail X  
 M 2:1



\* Federkontakt AWG 24-26 - Female Contact AWG 24-26  
 Kabelführung  $\phi 1.07$  - cable guide  $\phi 1.07$

nur mit Hilfsmittel lösbar  
 only with tool unlockable

Information:		Tolerances		Scale	5:1
All rights reserved. Only for Information. To ensure that this is the latest version of this drawing, please contact one of the ERNI companies before using.		All Dimensions in mm		Designation	
Subject to modification without prior notice. Drawing will not be updated.				1,27 SRC A SKV, 8-polig 1,27 SRC A IDC, 8-pin	
e01			www.ERNI.com	100103200027	
Index	Date			Class	SRCA
					K A3

Copyright by ERNI GmbH  
 Proprietary notice pursuant to ISO 16016 to be observed.