

PLEASE CHECK WWW.MOLEX.COM FOR LATEST PART INFORMATION

Part Number: **0465532200**
Status: **Active**
Description: 1.20mm (.047") x 2.00mm (.079") Pitch HD Mezz™ Receptacle, 104 Circuits, 10.00mm (.393") Unmated Height, 7 Rows, Selectively Filled, Lead Free

Documents:

[3D Model](#) [Product Specification PS-45802-001 \(PDF\)](#)
[Drawing \(PDF\)](#) [RoHS Certificate of Compliance \(PDF\)](#)

General

Product Family	PCB Receptacles
Series	46553
Application	Board-to-Board
Comments	1.20mm (.047") Pitch Pin-to-Pin and 2.00mm (.079") Pitch Row-to-Row
Product Name	Mezzanine

Physical

Circuits (Loaded)	65
Circuits (maximum)	65
Color - Resin	Black
Durability (mating cycles max)	100
Glow-Wire Compliant	No
Guide to Mating Part	No
Keying to Mating Part	None
Lock to Mating Part	Yes
Material - Metal	High Performance Alloy (HPA)
Material - Plating Mating	Gold
Material - Plating Termination	Tin
Material - Resin	High Temperature Thermoplastic
Number of Rows	7
Orientation	Vertical
PC Tail Length (in)	0.000 In
PC Tail Length (mm)	0.00 mm
PCB Locator	Yes
PCB Retention	Yes
PCB Thickness Recommended (in)	0.000 In
PCB Thickness Recommended (mm)	0.00 mm
Packaging Type	Tray
Pitch - Mating Interface (in)	0.079 In
Pitch - Mating Interface (mm)	2.00 mm
Pitch - Term. Interface (in)	0.079 In
Pitch - Term. Interface (mm)	2.00 mm
Plating min: Mating (µin)	30
Plating min: Mating (µm)	0.75
Plating min: Termination (µin)	100
Plating min: Termination (µm)	2.5
Polarized to Mating Part	Yes
Polarized to PCB	Yes
Robotic Placement	Vacuum Pick-Up Tape
Stackable	No
Surface Mount Compatible (SMC)	Yes
Temperature Range - Operating	-55°C to +105°C
Termination Interface: Style	Surface Mount

Electrical

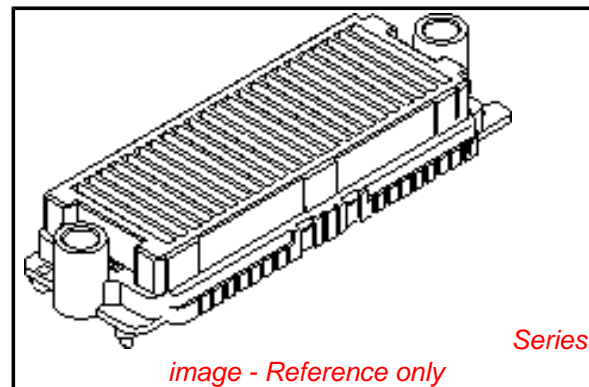


image - Reference only

EU RoHS

ELV and RoHS Compliant
REACH SVHC Contains SVHC: No
Halogen-Free
Status

China RoHS



Not Reviewed

Need more information on product environmental compliance?

Email productcompliance@molex.com
 For a multiple part number RoHS Certificate of Compliance, [click here](#)

Please visit the [Contact Us](#) section for any non-product compliance questions.

Search Parts in this Series

46553Series

Current - Maximum	2A
Grounding to PCB	No
Voltage - Maximum	250V AC

Solder Process Data

Duration at Max. Process Temperature (seconds)	20
Lead-free Process Capability	Reflow Capable (SMT only)
Max. Cycles at Max. Process Temperature	2
Process Temperature max. C	260

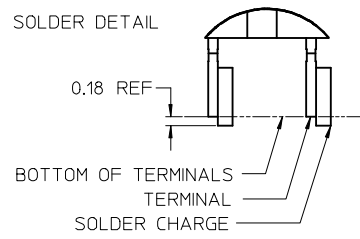
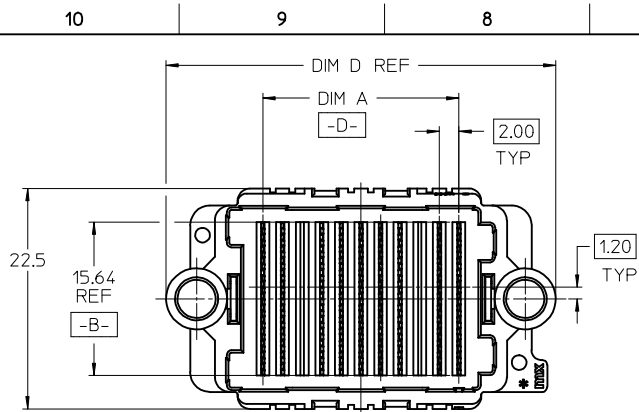
Material Info

Reference - Drawing Numbers

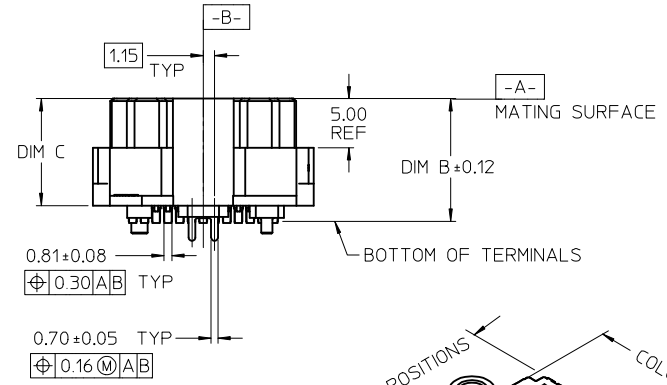
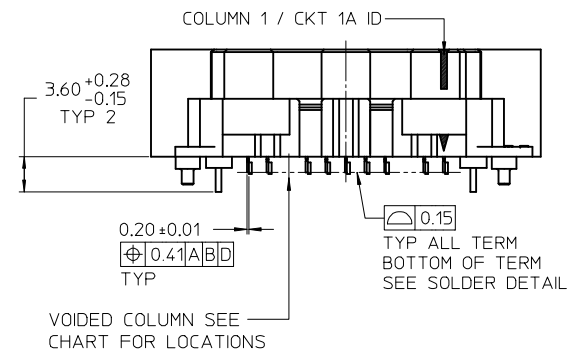
Product Specification	PS-45802-001
Sales Drawing	SD-46553-001

This document was generated on 02/26/2010

PLEASE CHECK WWW.MOLEX.COM FOR LATEST PART INFORMATION

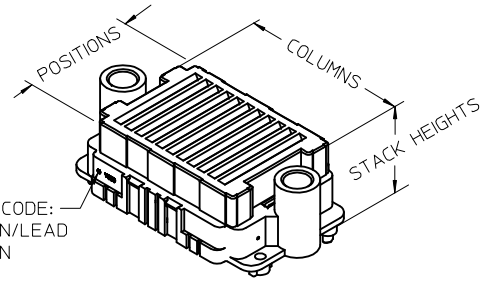


- NOTES:
- HOUSING MATERIAL: LCP, GLASS FILLED, UL 94V-0, BLACK
CONTACT MATERIAL: HIGH PERFORMANCE ALLOY
SOLDER NAIL MATL: STAINLESS STEEL
SOLDER CHARGE MATL: SEE CHART
 - FINISH: SELECT GOLD 30 MI MIN IN CONTACT AREA
SELECT TIN: 100 MI MIN IN PCB TAIL BOTH OVER NICKEL
 - PRODUCT SPECIFICATION: PS-45802-001
 - COSMETIC SPECIFICATION, PS-45499-002 CLASS B
 - PACKAGING SPECIFICATION: PK-45802-001
 - DATUM -D- IS THE CENTERLINE OF THE 2 END SLOTS. END SLOT CENTERLINES ARE ESTABLISHED USING 2 MEASUREMENTS FOR EACH SLOT TAKEN 7.20 EITHER SIDE OF DATUM -B-.



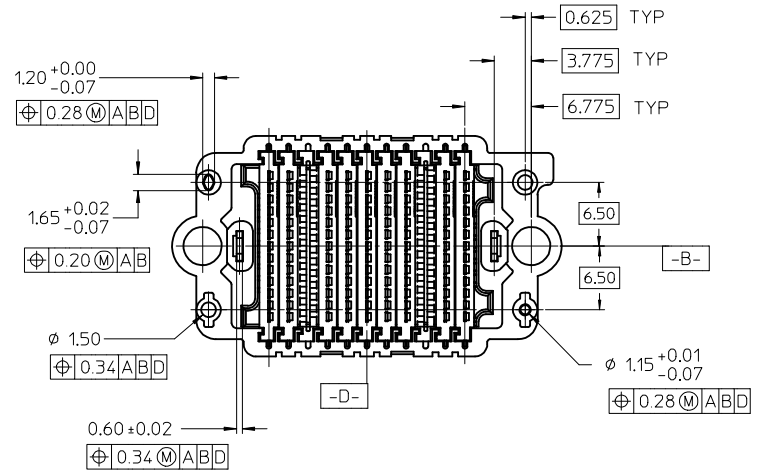
AVAILABLE STACK HEIGHTS		
STACK HEIGHT	DIM B	DIM C
8mm	10.51	8.90
9mm	11.51	9.90
10mm	12.51	10.90
11mm	13.51	11.90
12mm	14.51	12.90
13mm	15.51	13.90
14mm	16.51	14.90
15mm	17.51	15.90
17mm	19.51	17.90
18mm	20.51	18.90

AVAILABLE COLUMNS		
NO OF COLUMNS	DIM A	DIM D
7	12.00	31.89
9	16.00	35.89
11	20.00	39.89
13	24.00	43.89
15	28.00	47.89
17	32.00	51.89
19	36.00	55.89
21	40.00	59.89
23	44.00	63.89
25	48.00	67.89
27	52.00	71.89

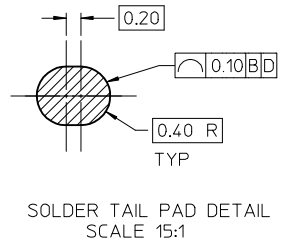
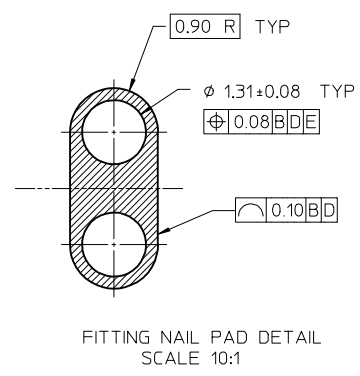
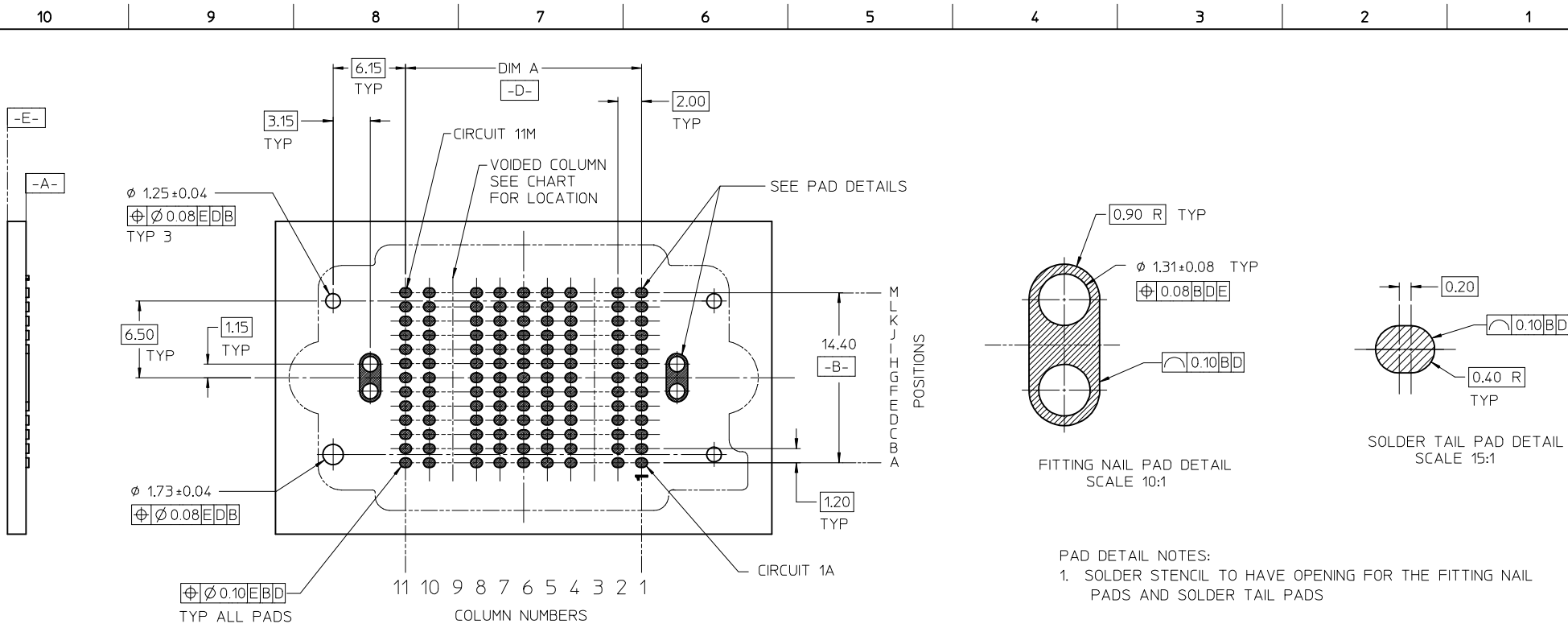


LEAD CODE:
0 = TIN/LEAD
2 = TIN

SEE SHEET 3 FOR COLUMN / POSITION NUMBERING SYSTEM

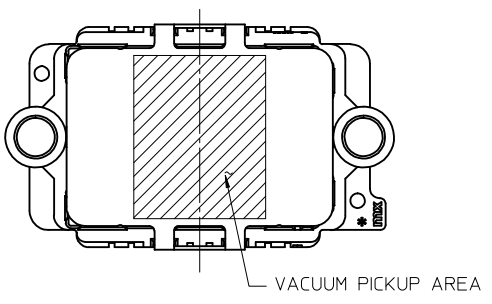


ADD OPTIONS EC NO: UCP2009-2695 DRWNR: RHODGE CHKD: 2009/05/15 APPR: JCOMERCI 2009/05/15	QUALITY SYMBOLS	GENERAL TOLERANCES (UNLESS SPECIFIED) mm INCH 4 PLACES ± --- ± --- 3 PLACES ± 0.10 ± --- 2 PLACES ± 0.15 ± --- 1 PLACE ± 0.25 ± --- ANGULAR ± 1/2°	DIMENSION STYLE MM ONLY	SCALE 2:1	DESIGN UNITS METRIC	THIRD ANGLE PROJECTION	
	DRAWN BY RHODGE	DATE 2007/05/31	CHECKED BY RHODGE	DATE 2007/11/13	TITLE HIGH DENSITY MEZZININE RECEPTACLE ASSEMBLY SELECTIVELY LOADED		
	APPROVED BY JCOMERCI	DATE 2007/11/14	MOLEX INCORPORATED			SHEET NO. 1 OF 3	
	MATERIAL NO. SEE CHART	DOCUMENT NO. SD-46553-001	THIS DRAWING CONTAINS INFORMATION THAT IS PROPRIETARY TO MOLEX INCORPORATED AND SHOULD NOT BE USED WITHOUT WRITTEN PERMISSION				



PAD DETAIL NOTES:
 1. SOLDER STENCIL TO HAVE OPENING FOR THE FITTING NAIL PADS AND SOLDER TAIL PADS

RECOMMENDED PCB LAYOUT: COMPONENT SIDE
 PCB THICKNESS: NA
 (11 COLUMN PART SHOWN SEE CHART)



SEE SHEET 1 EC NO: UCP2009-2695 DRAWN: RHODGE 2009/05/14 CHKD: 2009/05/15 APPR: JCOMERCI 2009/05/15 REV B1	GENERAL TOLERANCES (UNLESS SPECIFIED)		DIMENSION STYLE MM ONLY		SCALE 3:1	DESIGN UNITS METRIC	THIRD ANGLE PROJECTION
		mm	INCH	DRAWN BY RHODGE	DATE 2007/05/31	HIGH DENSITY MEZZININE RECEPTACLE ASSEMBLY SELECTIVELY LOADED	
	4 PLACES	±---	±---	CHECKED BY	DATE		
	3 PLACES	±0.10	±---	RHODGE	2007/11/13	MOLEX INCORPORATED SD-46553-001	
	2 PLACES	±0.15	±---	APPROVED BY JCOMERCI	DATE 2007/11/14		
1 PLACE	±0.25	±---	MATERIAL NO.	SEE CHART	DOCUMENT NO.	SHEET NO. 2 OF 3	
ANGULAR ±1/2°		THIS DRAWING CONTAINS INFORMATION THAT IS PROPRIETARY TO MOLEX INCORPORATED AND SHOULD NOT BE USED WITHOUT WRITTEN PERMISSION					

