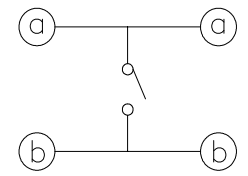
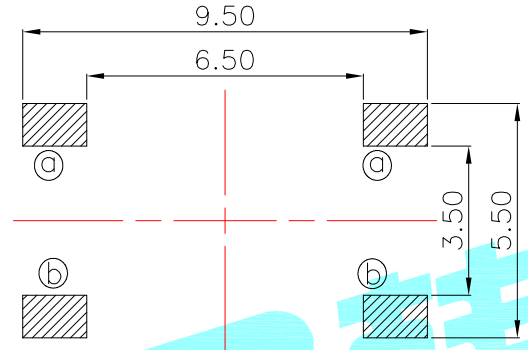
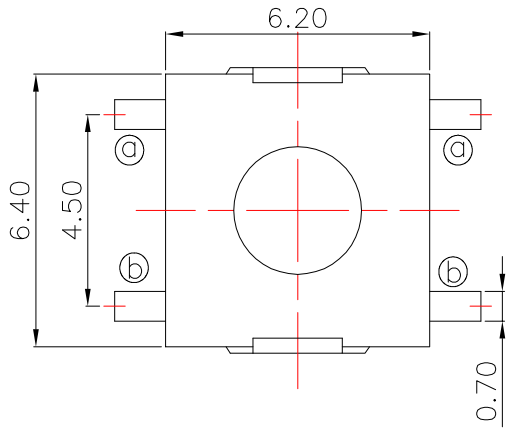
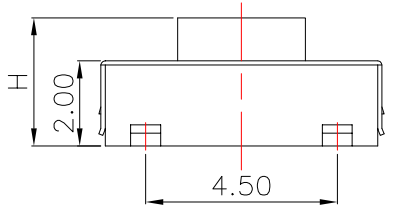
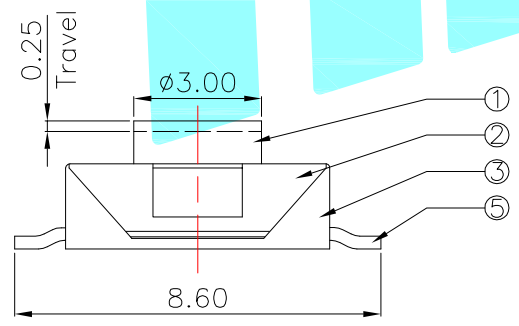


ROHS



Circuit Diagram



NO.1	
PART NO	H
B	2.5
A	2.7
C	3.1
D	3.4
I	3.7
N	4.0
G	4.3
P	4.5
Q	4.8
F	5.0
R	5.2
E	5.5

NO.2	
PART NO	vigor
1	90±30
2	130±30
3	180±30
4	250±30
5	350±50

NO.3	
PART NO	MATERIAL/QTY
S	SUS/1PC
C	C5210/1PC
D	SUS/2PCS
F	C5210/2PCS

NO.4-NO.5	
PART NO	NOTE
01~99	SERIAL NUMBER

⑤	Terminal	—	4	Copper(0.3t)	Plating silver	—
④	Contact	—	1	F.Ag/C5210	Natural	—
③	Base	—	1	Nylon	Black	—
②	Cover	—	1	Brass(0.15t)	Plating Nickel	—
①	Keystoke	—	1	Nylon	Red	—
ITEM	PART NAME	TER'NO.	QTY.	MATERIAL	FINISHING	REMARK

APPROVALS		DATE		HRC 韓康® ELECTRONICS CO.,LTD		
DRAWN	LIUCAN	2020.9.11		TITLE:	TACT SWITCHS	
CHECKED				PART NO.	K2-1157SP-□□□W-□□	
APPROVALS				UNIT: mm	SCALE: 1:1	PROJ:
TOLERANCES ARE			30~以上: ±0.30	ANGLE	DRAWING NO.	SHEET 1 OF 1
			10~30: ±0.20			
			5~10: ±0.15			
			~ 5: ±0.10			

ECN NO.	REV.	DATE.	DESCRIPTION.	CHANGE.	CHECK.	APPRO.
	A		NEW			