

4

3

2

1

THIS DRAWING IS UNPUBLISHED.

RELEASED FOR PUBLICATION

20

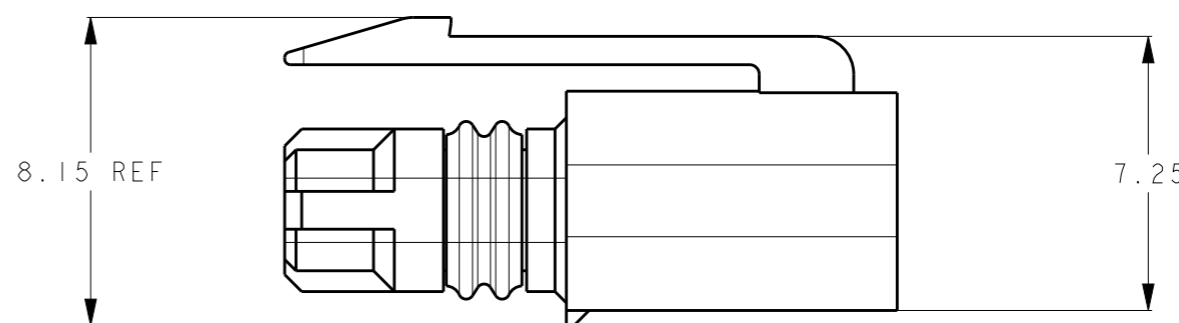
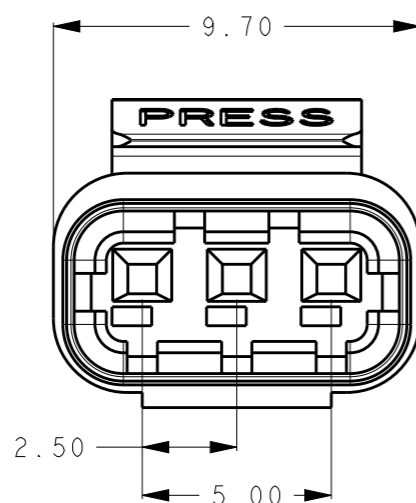
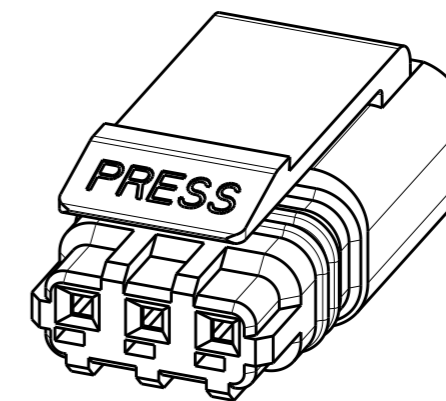
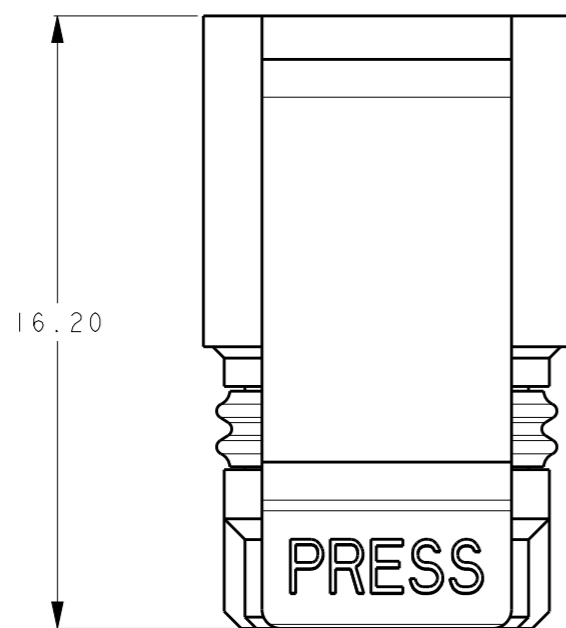
© COPYRIGHT 20

ALL RIGHTS RESERVED.

ES

REVISIONS

P	LTR	DESCRIPTION	DATE	DWN	APVD
	A	INITIAL RELEASE	15JUL2016	Z.W	X.X



- NOTES:
- 1. MATERIAL:
HOUSING: THERMOPLASTIC, UL94-V0.
SEAL: RUBBER.
 - 2. PART NUMBER: SEE TABLE
 - 3. PACKAGING: TRAY.
 - 4. PACKAGING SPEC: 107-137093.

GRAY	3	4-2834074-3
RED	3	3-2834074-3
BLACK	3	2-2834074-3
WHITE	3	1-2834074-3
GRAY	2	4-2834074-2
RED	2	3-2834074-2
BLACK	2	2-2834074-2
WHITE	2	1-2834074-2
COLOR	NO OF POSN	PART NUMBER

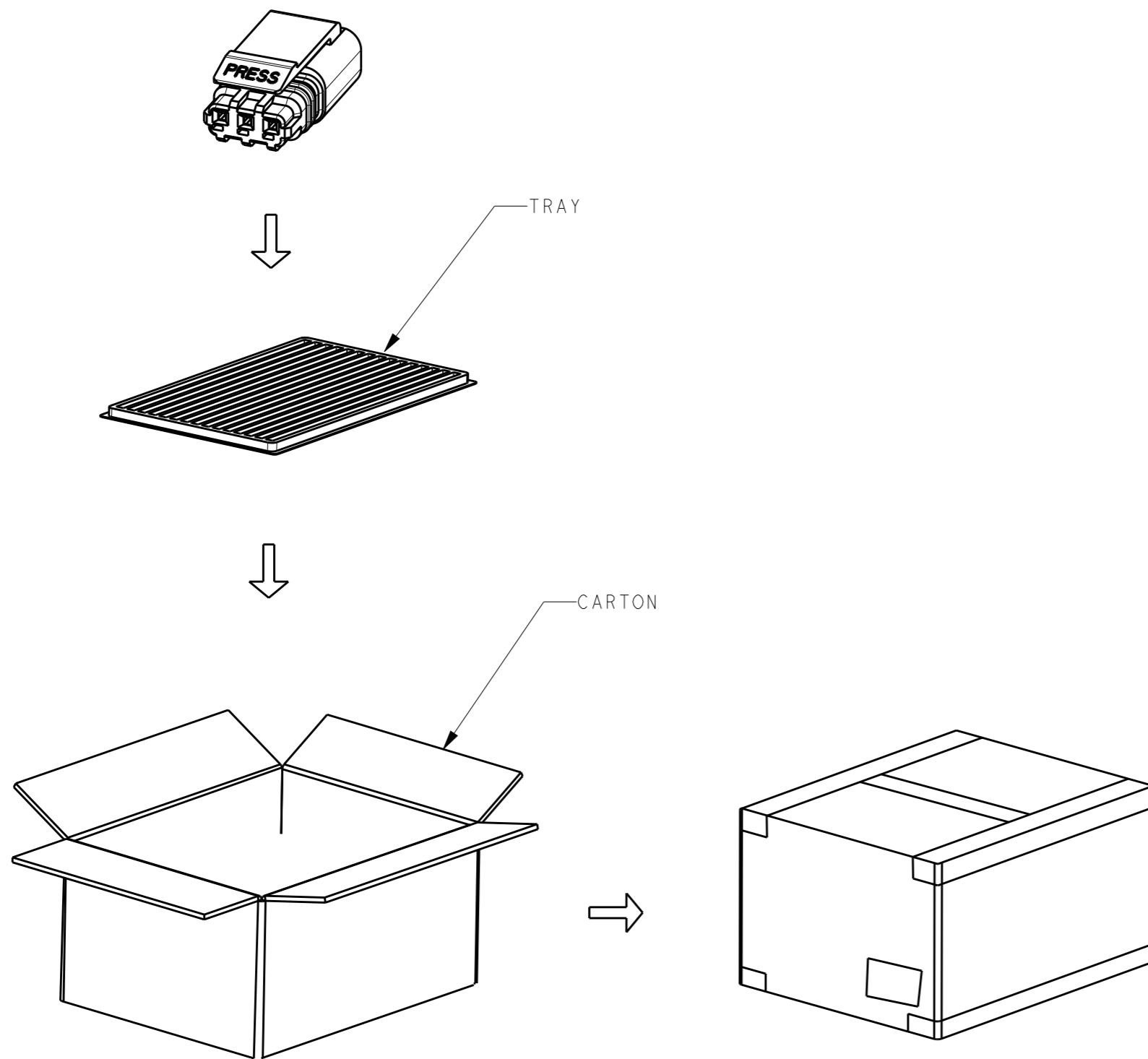
THIS DRAWING IS A CONTROLLED DOCUMENT.		DWN	15JULY2016	STE TE Connectivity
		CHK	15JULY2016	
		APVD	15JULY2016	
			XU XIANG	
DIMENSIONS: mm		TOLERANCES UNLESS OTHERWISE SPECIFIED: ± 0.5		NAME
		0 PLC ±		PLUG MINIATURE WATERPROOF CONNECTOR
		1 PLC ±		
		2 PLC ±		SIZE
		3 PLC ±		CAGE CODE
		4 PLC ±		DRAWING NO
		ANGLES ±5°		RESTRICTED TO
MATERIAL		FINISH		A300779 C-2834074
				SCALE 5:1 SHEET 1 OF 2 REV A
CUSTOMER DRAWING		WEIGHT -		

REVISIONS

P	LTR	DESCRIPTION	DATE	DWN	APVD
		SEE SHEET 1			

- NOTE:
 1. PUT PARTS IN THE TRAY.
 2. PUT PACKED TRAYS INTO CARTON.
 3. SEAL THE CARTON
 4. PACKAGING QUANTITY: SEE TABLE.
 5. PACKAGING SPEC : 107-137093.

PART NUMBER	PARTS PER TRAY	TRAYS PER CARTON	PARTS PER CARTON
1-2834074-2	360 PCS	16	5760 PCS
2-2834074-2	360 PCS	16	5760 PCS
3-2834074-2	360 PCS	16	5760 PCS
4-2834074-2	360 PCS	16	5760 PCS
1-2834074-3	360 PCS	16	5760 PCS
2-2834074-3	360 PCS	16	5760 PCS
3-2834074-3	360 PCS	16	5760 PCS
4-2834074-3	360 PCS	16	5760 PCS



THIS DRAWING IS A CONTROLLED DOCUMENT.		DWN	15JULY2016	STE TE Connectivity
		CHK	15JULY2016	
		APVD	15JULY2016	
DIMENSIONS: mm		TOLERANCES UNLESS OTHERWISE SPECIFIED: ± 0.5		NAME
		0 PLC ±		PLUG MINIATURE WATERPROOF CONNECTOR
		1 PLC ±		
		2 PLC ±		SIZE
		3 PLC ±		CAGE CODE
		4 PLC ±		DRAWING NO
		ANGLES ± 5°		RESTRICTED TO
MATERIAL		FINISH		SCALE
				SHEET
				2 OF 2
				REV
				A