

6

5

4

3

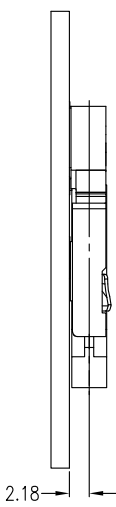
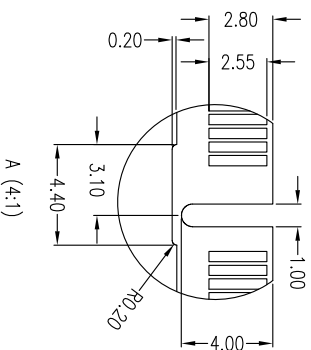
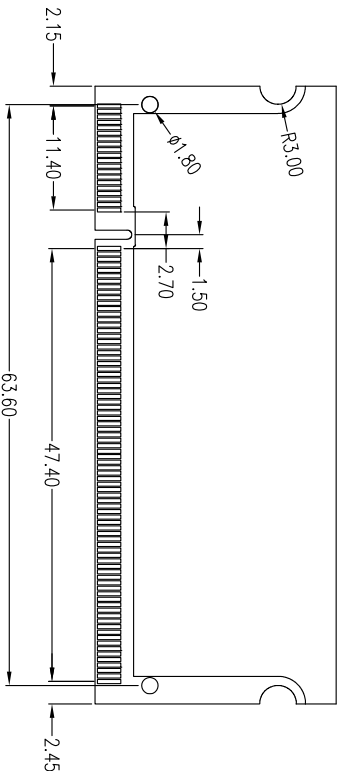
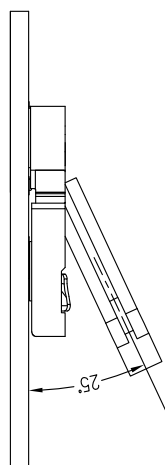
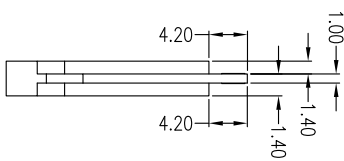
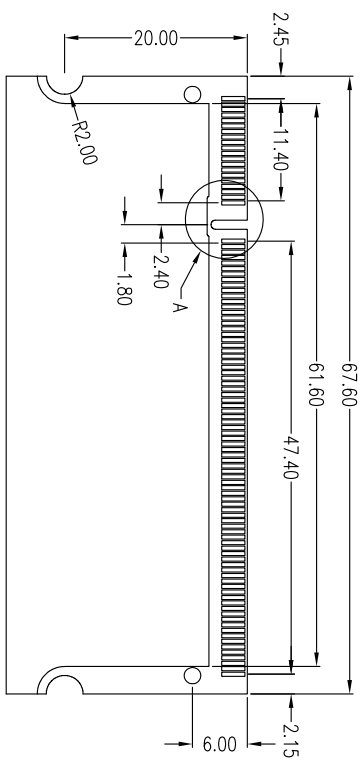
2

1

APPROVED: \_\_\_\_\_

DATE: \_\_\_\_\_ TITLE: \_\_\_\_\_

Rev	AWO #	Description	Date	Appr
		SEE SHT 1 OF 2 FOR REVISION		



A

B

C

D

A

B

C

D

# ADAM TECH

909 Rahway Avenue, Union, NJ 07083  
 Phone: 908-687-5000 Fax: 908-687-5710

TITLE: SO DIMM SOCKET, 200 PIN, SMT  
 1.8V DDR RAM, 3.9MM HEIGHT, REVERSE

UNLESS OTHERWISE SPECIFIED ALL DIMENSIONS ARE MM	
TOLERANCES: EXCEPT AS NOTED	
INCHES	HOLDS
.X ± .10	ØXX ± .10
.XX ± .020	ØXXX ± .015
.XXX ± .015	ØXXXX ± .010
APPROVALS	DATE
DRAWN DY	8/16/10
CHECKED	
APPROVED	

SIZE	PART NO.	REV.
X	SOD-200-S-5-3.9-R-01	-
REF: S00138T	SCALE: NTS	SHEET 2 OF 2

6

5

4

3

2

1