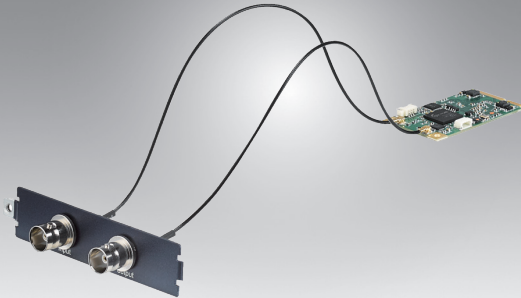


# MOS-4140S

## 1-ch Full HD H.264 MiniPCle Video Capture Card with SDK

NEW



### Features

- 1 channel SDI channel video inputs with H.264 software compression
- 30/25 fps (NTSC/PAL) at up to full HD resolution for recording and display
- Mini PCIe x1 (Gen2) host interface
- Windows/Linux OS supported

FCC CE 

### Specifications

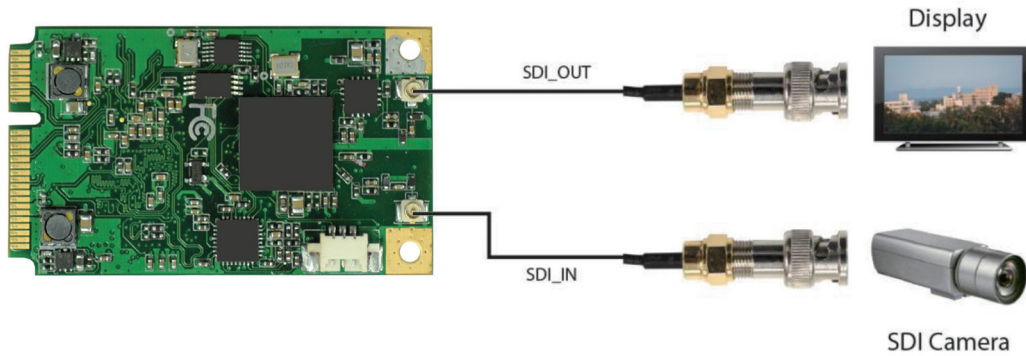
Video	Video Standard	NTSC/PAL
	Video Input	1 x SDI
	Compression	S/W H.264
	Max. Resolution /FPS	60/50 fps @ 1920 x 1080p (Input) 30/25 fps @ 1920 x 1080p (Output)
Audio	Audio Input	SDI Embedded Audio Audio L/R (2 x RCA through wafer connector to RCA cable)
	Format	Stereo / 16-bit / 32000 ~ 48000Hz
System Requirements	CPU (Display)	Intel Core 2 Duo E2200 2.2 GHz
	CPU (Recording)	Intel Core 2 Quad Q9400 2.6 GHz
	Memory	2 GB
	VGA	1024 x 768, DirectX 9.0c
	Operating System	Windows XP/XPe/Vista/7/8/8.1; Linux 2.6.14 or higher; 32/64 bits
Physical Characteristics	Host Interface	Mini PCIe x1 (Gen 2)
	Operating Temperature	-20 ~ 70° C (-4 ~ 158° F)
	Storing Temperature	-40 ~ 85° C (-40 ~ 185° F)
	Dimensions	30 x 50.95 mm (1.2" x 2")
	Certification	CE/FCC

### Versatile SDK Support (For Windows Only)

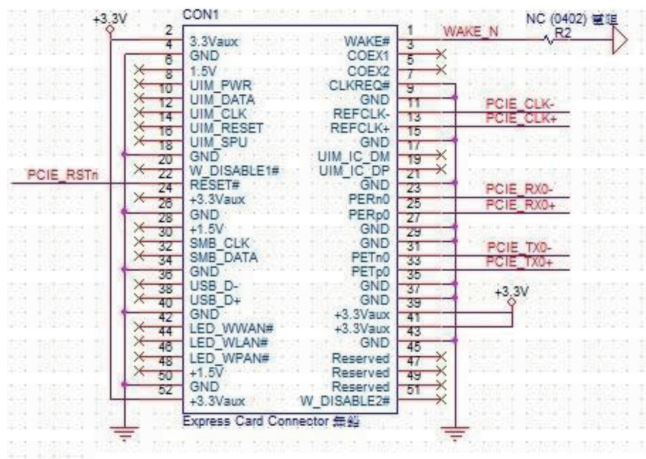
Advantech provides software development kit (SDK), a set of development tools that allows a software engineer to integrate video capture modules into different types of system. Functions include video recording, playback and instant preview.

- Software Library
- SDK Manual
- Sample Program

## Connection Diagram



## Pin Define



## Ordering Information

Part Number	Description
MOS-4140S-Y1101	1-ch Full HD H.264 MiniPCIe Video Capture card with SDK