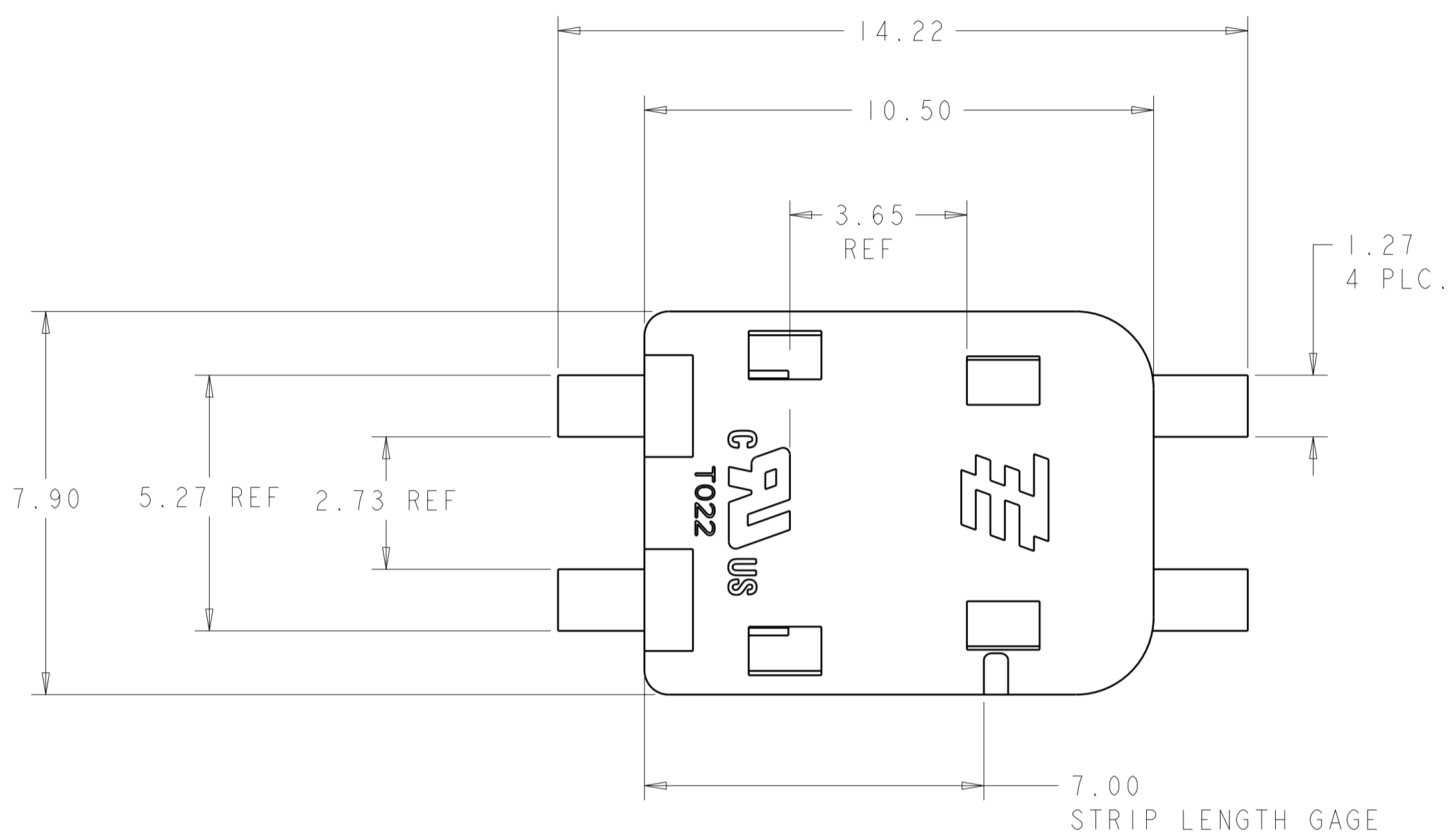


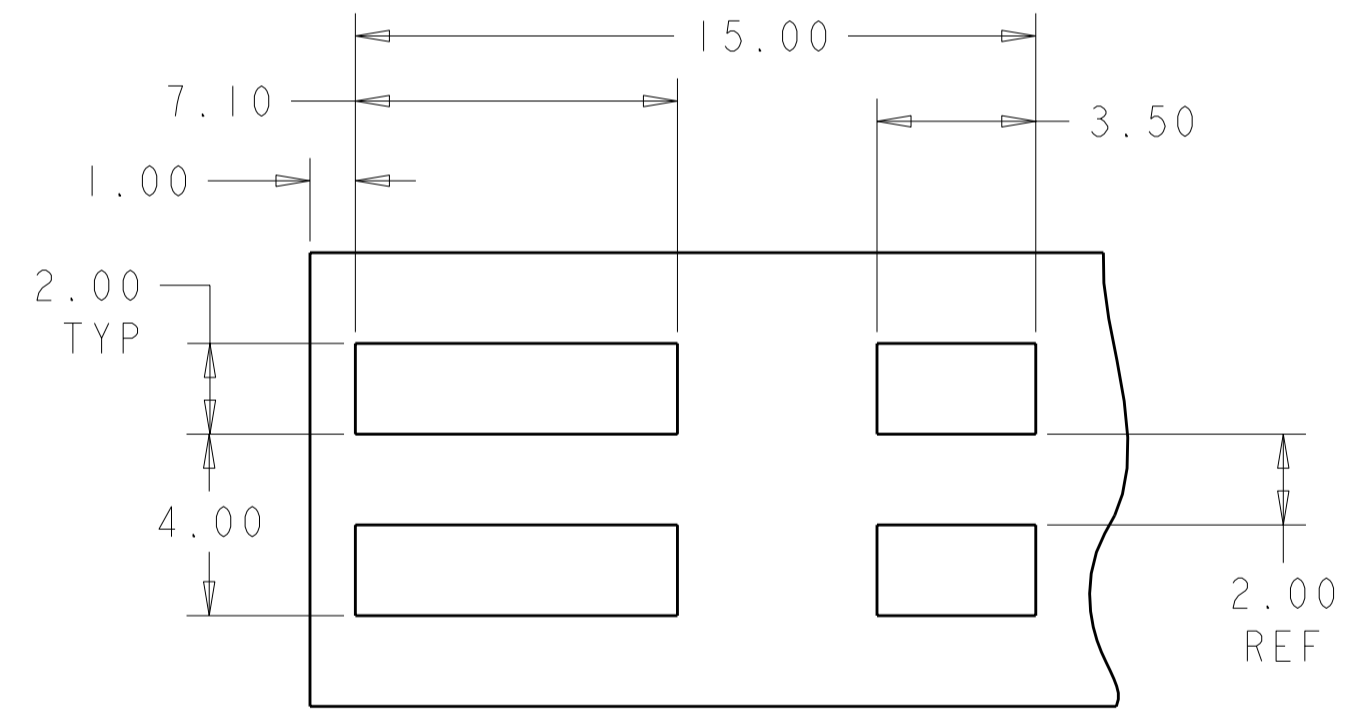
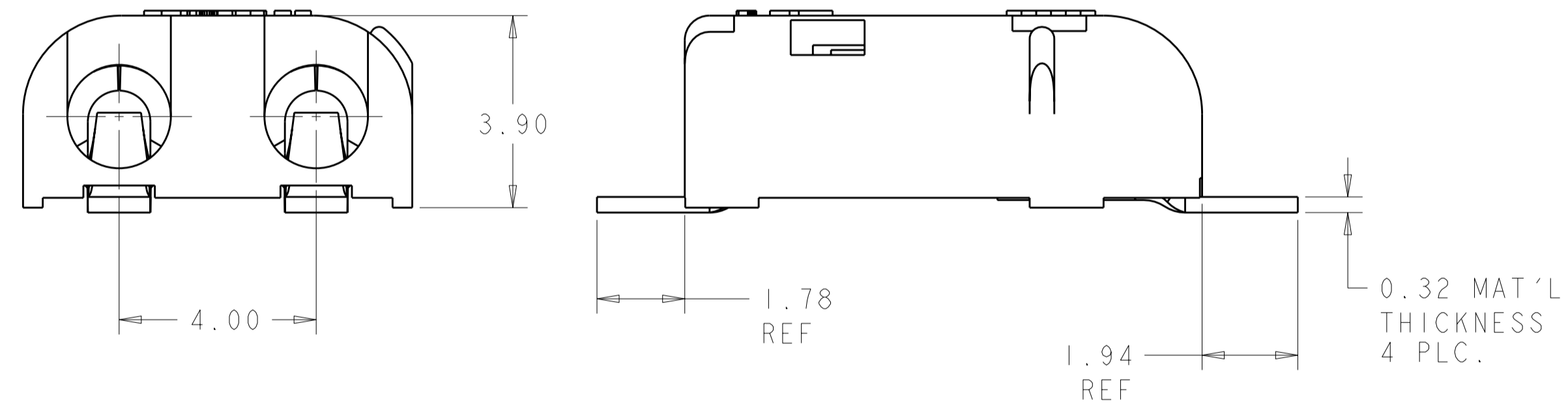
THIS DRAWING IS UNPUBLISHED. RELEASED FOR PUBLICATION 20  
 © COPYRIGHT 20 BY TYCO ELECTRONICS CORPORATION. ALL RIGHTS RESERVED.

| LOC |     | DIST                      |           | REVISIONS |      |  |  |
|-----|-----|---------------------------|-----------|-----------|------|--|--|
| P   | LTR | DESCRIPTION               | DATE      | DWN       | APVD |  |  |
|     | A5  | REVISED PER ECR-09-010681 | 19MAY2009 | HMR       | DD   |  |  |

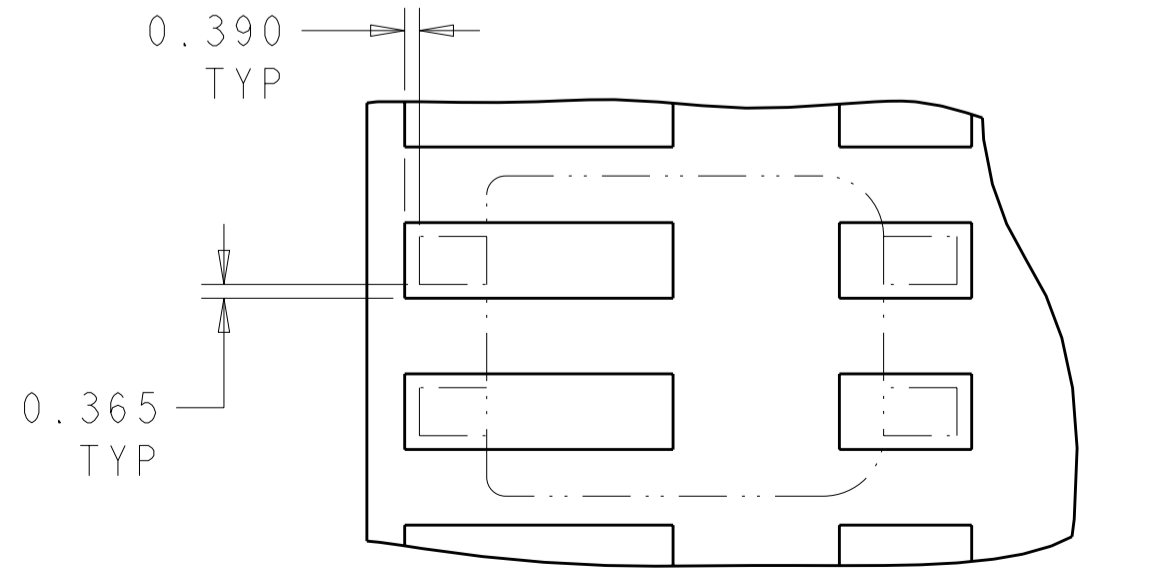


- NOTES :
- 1. MATERIALS AND FINISH:
    - HOUSING: LCP, COLOR: WHITE
    - CONTACTS: COPPER ALLOY, FINISH: TIN
  - 2. MUST COMPLY WITH DIRECTIVE 2002/95/EC (ROHS)
  - 3. THIS PRODUCT HAS NOT COMPLETED VALIDATION TESTING
  - 4. WIRE TYPES AND SIZES ACCEPTED
    - 18, 20 AND 22 AWG SOLID WIRE
    - 18 AND 20 AWG PREBOND STRANDED WIRE
    - 18 AWG STRANDED WIRE (16 STRAND COUNT)
    - MAX INSULATION OD: 2.10 MM (.083")
    - STRIP LENGTH: 7.0±1.0 (.276")

- 6. MATERIAL AND FINISH:
  - HOUSING: LCP, COLOR: BLACK.
  - CONTACTS: COPPER ALLOY, FINISH:TIN
- 7. PACKAGED IN TAPE AND REEL



RECOMMENDED PCB LAYOUT



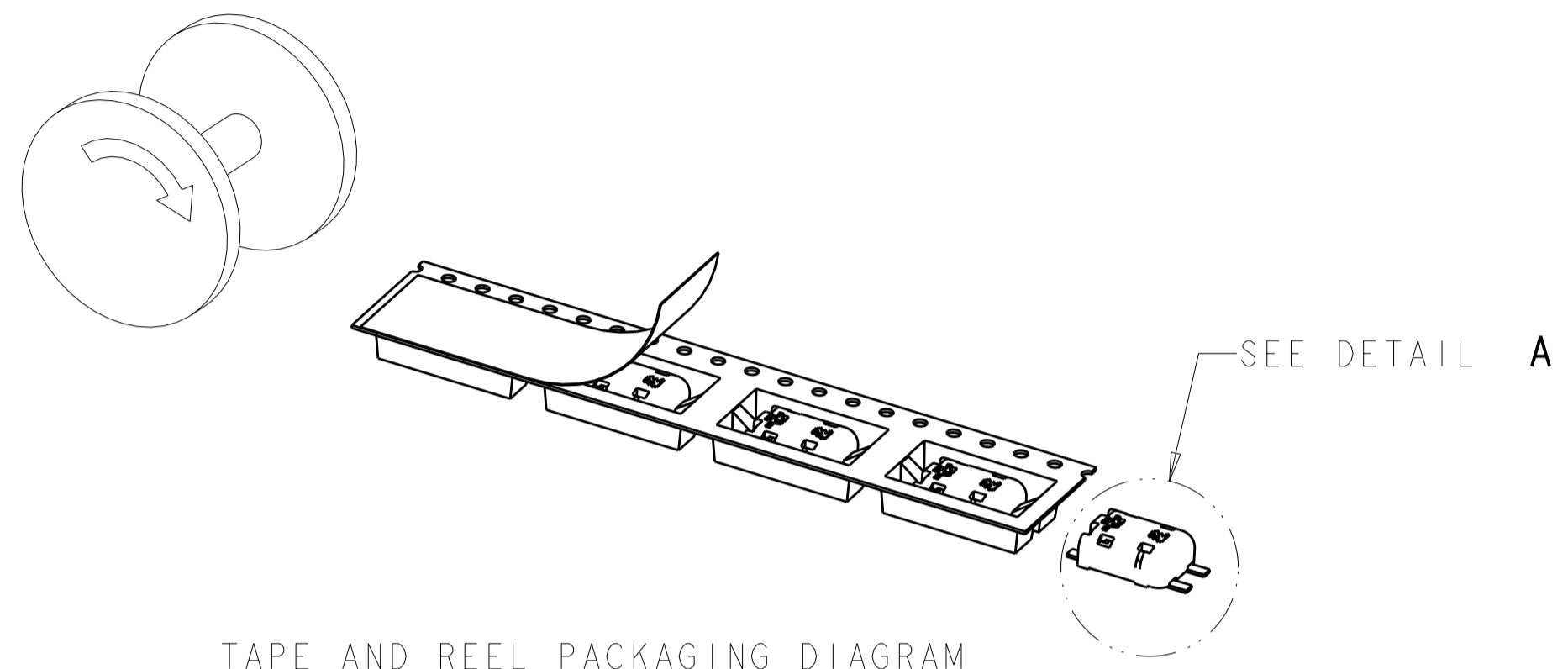
RECOMMENDED CONNECTOR PLACEMENT SCALE 5:1

|           |          |       |             |
|-----------|----------|-------|-------------|
| OBsolete  | 1        | WHITE | 1954097-3   |
| 7         | 6        | BLACK | 1-1954097-1 |
| 7         | 1        | WHITE | 1954097-1   |
| PACKAGING | MATERIAL | COLOR | PART NO.    |

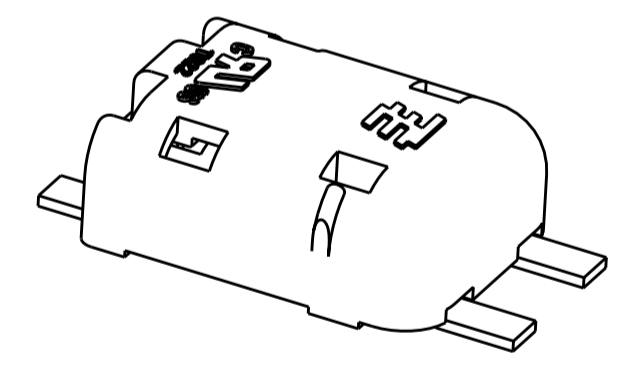
|  |  |                                 |   |                       |
|--|--|---------------------------------|---|-----------------------|
| THIS DRAWING IS A CONTROLLED DOCUMENT FOR TYCO ELECTRONICS CORPORATION IT IS SUBJECT TO CHANGE AND THE CONTROLLING ENGINEERING ORGANIZATION SHOULD BE CONTACTED FOR THE LATEST REVISION. |  | DWN<br>C. DAILY<br>06JUN2006    | Tyco Electronics<br>Harrisburg, PA 17105-3608             |                       |
| DIMENSIONS:<br>mm  |  | CHK<br>S. HORST<br>06JUN2006    | NAME<br>POKE-IN LED CONNECTOR ASSEMBLY,<br>2 POSITION SMT |                       |
| TOLERANCES UNLESS OTHERWISE SPECIFIED:<br>0 PLC ±<br>1 PLC ±0.2<br>2 PLC ±0.10<br>3 PLC ±<br>4 PLC ±<br>ANGLES ±3°<br>FINISH   |  | APVD<br>J.K. KNOLL<br>25OCT2007 | PRODUCT SPEC<br>108-2284                                  |                       |
| MATERIAL<br>SEE TABLE  |  | APPLICATION SPEC<br>114-13194   | SIZE<br>A200779   | DRAWING NO<br>1954097 |
| SEE TABLE  |  | WEIGHT<br>-                     | SCALE<br>7:1  | RESTRICTED TO<br>-    |
| CUSTOMER DRAWING   |  |                                 | SHEET<br>1 OF 2   | REV<br>A5             |

THIS DRAWING IS UNPUBLISHED. RELEASED FOR PUBLICATION 20  
 © COPYRIGHT 20 BY TYCO ELECTRONICS CORPORATION. ALL RIGHTS RESERVED.

| LOC | DIST | REVISIONS   |      |     |      |
|-----|------|-------------|------|-----|------|
| P   | LTR  | DESCRIPTION | DATE | DWN | APVD |
|     |      | SEE SHEET 1 |      |     |      |
|     |      |             |      |     |      |
|     |      |             |      |     |      |



TAPE AND REEL PACKAGING DIAGRAM  
 FOR 1954097-1 & 1-1954097-1



DETAIL A  
 SCALE 5:1

|   |  |  |  |
|---|--|--|--|
| <small>THIS DRAWING IS A CONTROLLED DOCUMENT FOR TYCO ELECTRONICS CORPORATION<br/>         IT IS SUBJECT TO CHANGE AND THE CONTROLLING ENGINEERING ORGANIZATION<br/>         SHOULD BE CONTACTED FOR THE LATEST REVISION.</small> |  | DWN 06JUN2006<br>CHK S. HORST 06JUN2006<br>APVD J.K. KNOLL 25OCT2007 | <b>Tyco Electronics</b><br>Tyco Electronics<br>Harrisburg, PA 17105-3608   |
| DIMENSIONS:<br>mm<br>   | TOLERANCES UNLESS OTHERWISE SPECIFIED:<br>0 PLC ±<br>1 PLC ±0.2<br>2 PLC ±0.10<br>3 PLC ±<br>4 PLC ±<br>ANGLES ±3°<br>FINISH | PRODUCT SPEC 108-2284<br>APPLICATION SPEC 114-13194<br>WEIGHT -      | NAME POKE-IN LED CONNECTOR ASSEMBLY,<br>2 POSITION SMT<br>SIZE CAGE CODE DRAWING NO RESTRICTED TO<br>A200779 C-1954097 - |
| MATERIAL SEE TABLE  | SEE TABLE  | CUSTOMER DRAWING   | SCALE 7:1 SHEET 2 OF 2 REV A5  |